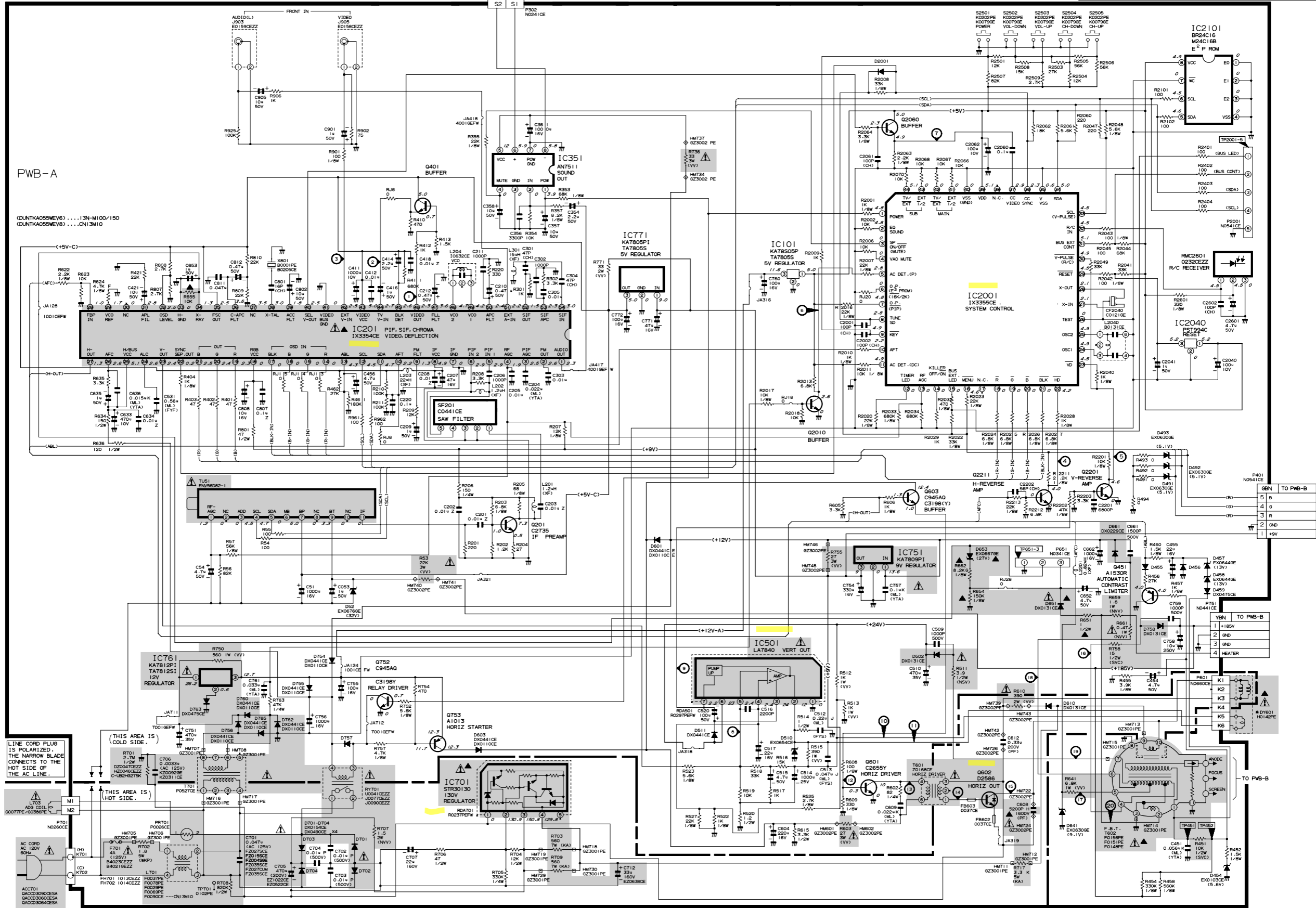


SCHEMATIC DIAGRAM: MAIN Unit

NOTE: ALL DIODES ARE "D90A7502" UNLESS OTHERWISE SPECIFIED.
ALL TRANSISTORS ARE "2SC3828" OR "2PD601A" UNLESS OTHERWISE SPECIFIED.



PWB-A

(DUNTKA059EV6) ... 13N-M100/150
(DUNTKA059EV8) ... CN13M10

(H-OUT)

(+12V-A)

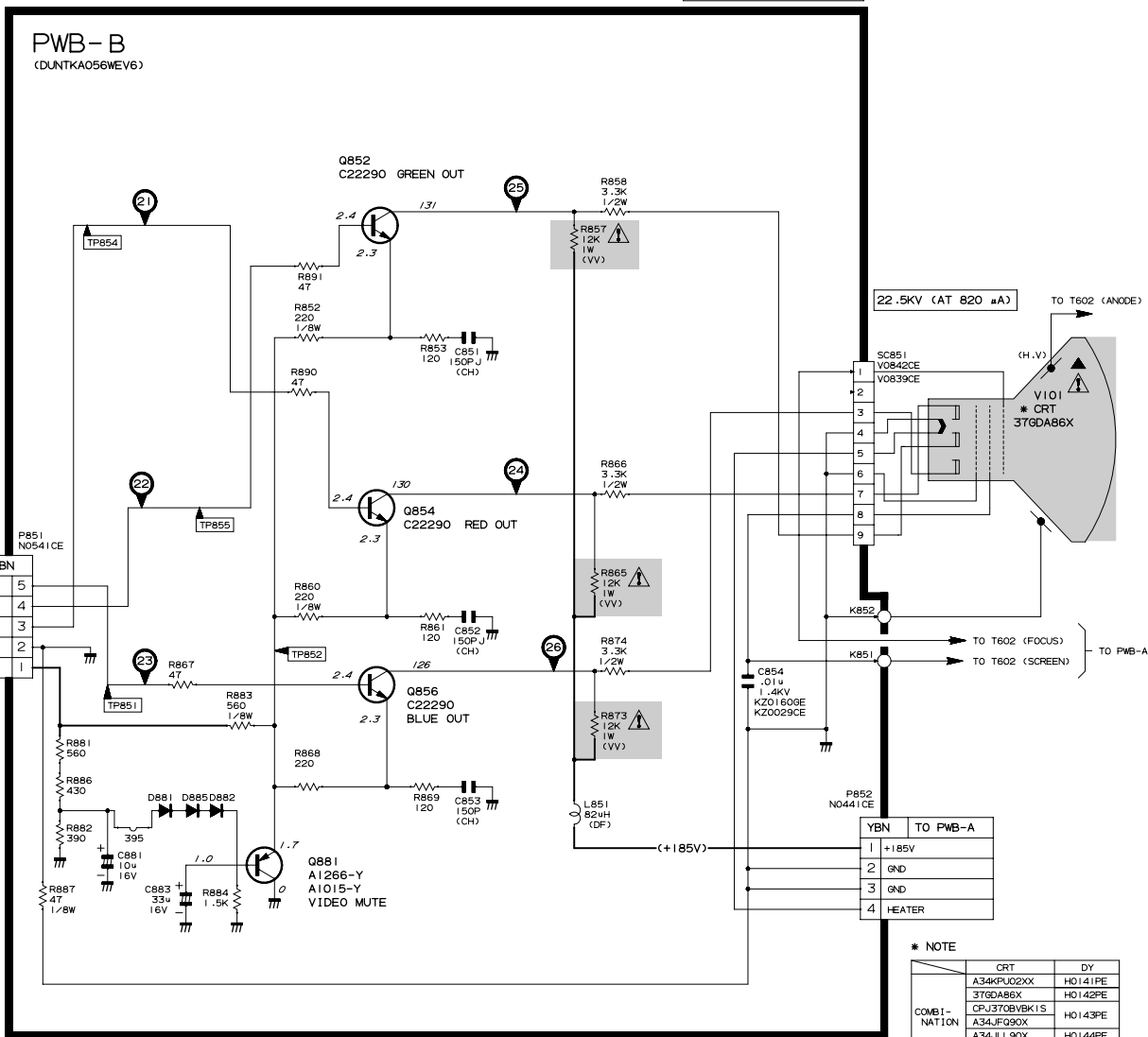
(+185V)

AC CORD

SCHEMATIC DIAGRAM: CRT Unit

NOTE: ALL DIODES ARE "DX0475CE" UNLESS OTHERWISE SPECIFIED.

REPLACE WITH A PICTURE TUBE OF THE SAME TYPE NUMBER FOR CONTINUED SAFETY.



H
G
F
E
D
C
B
A