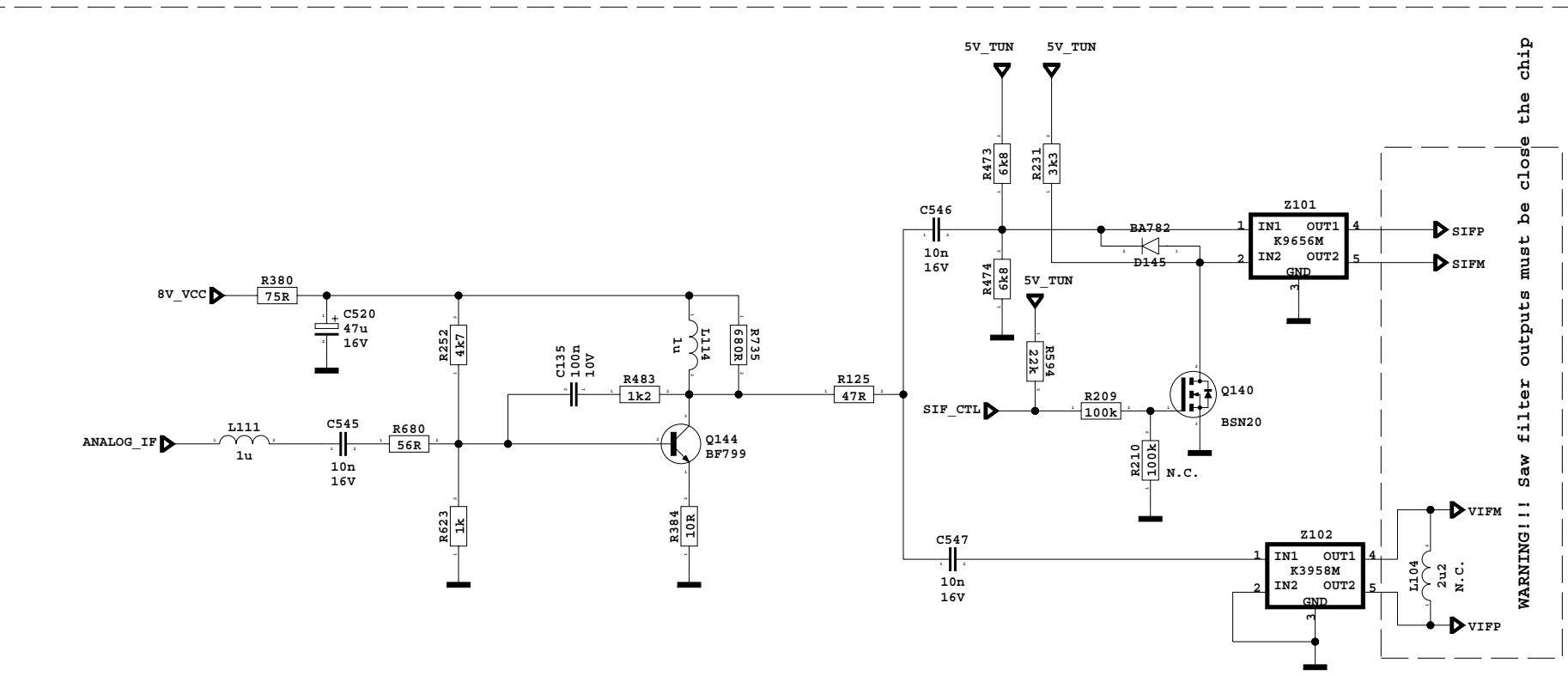
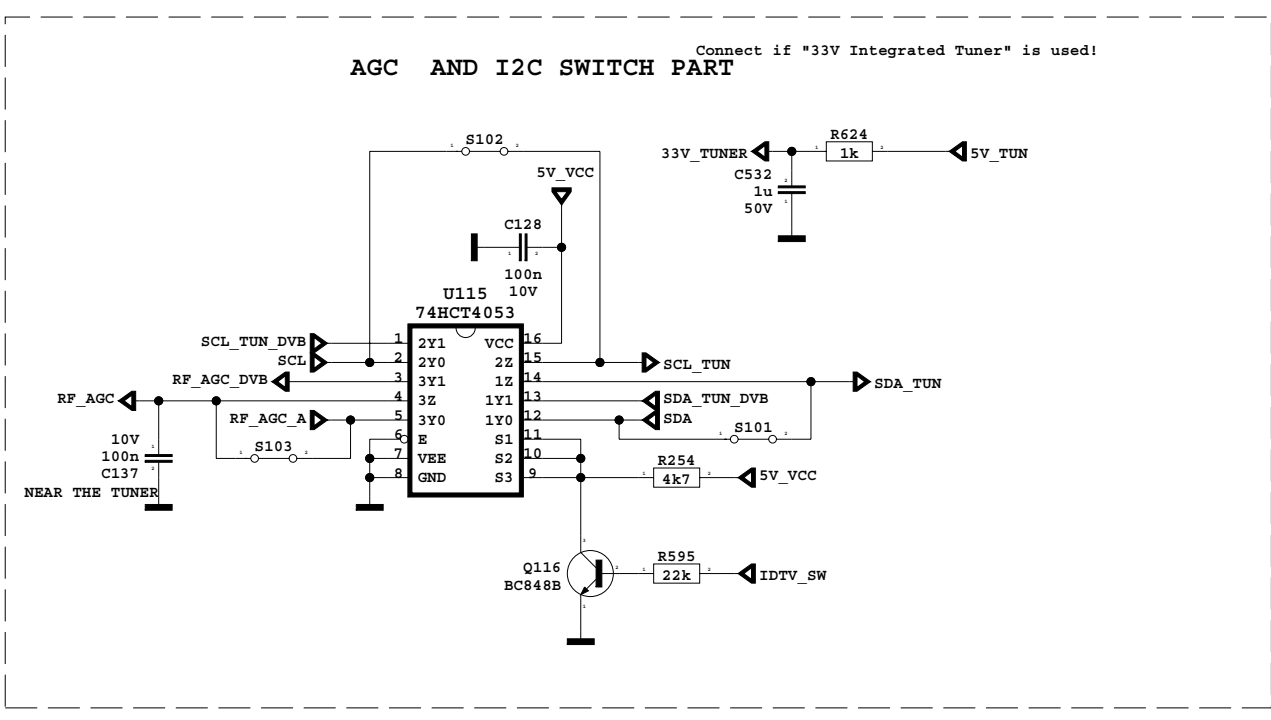
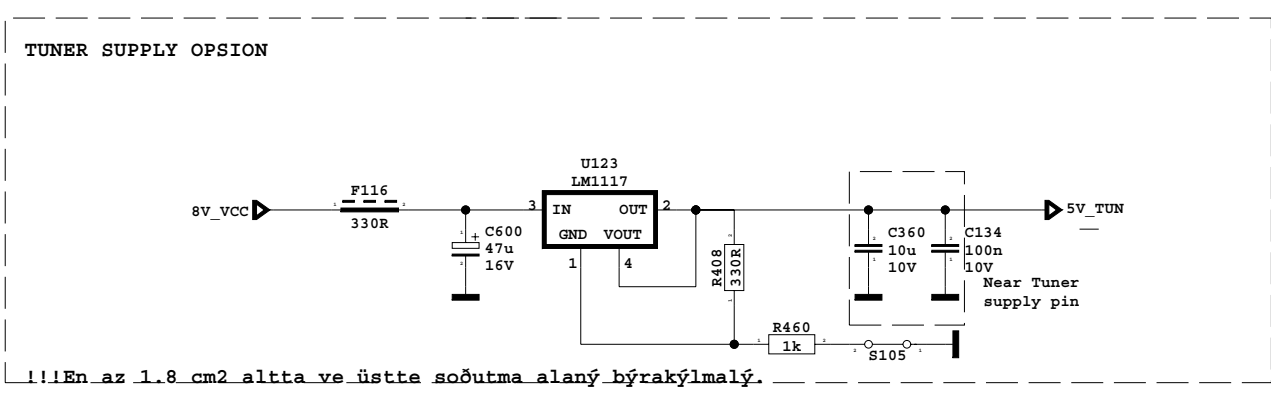
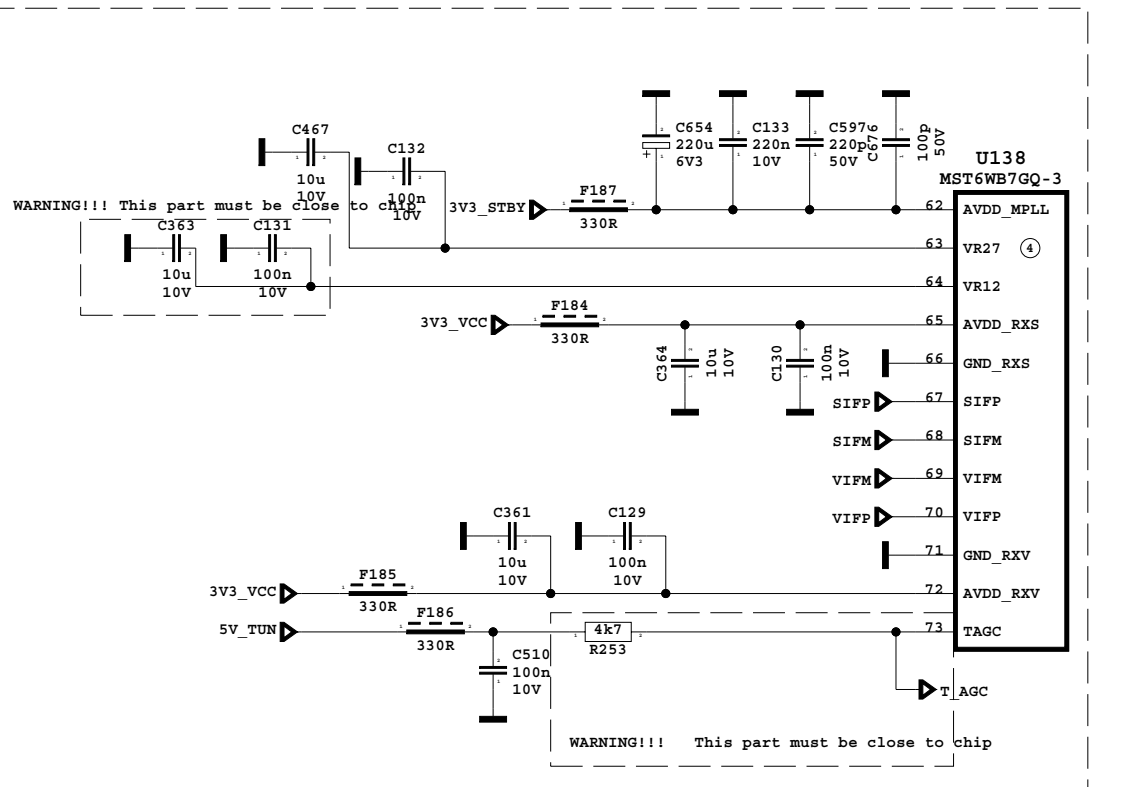


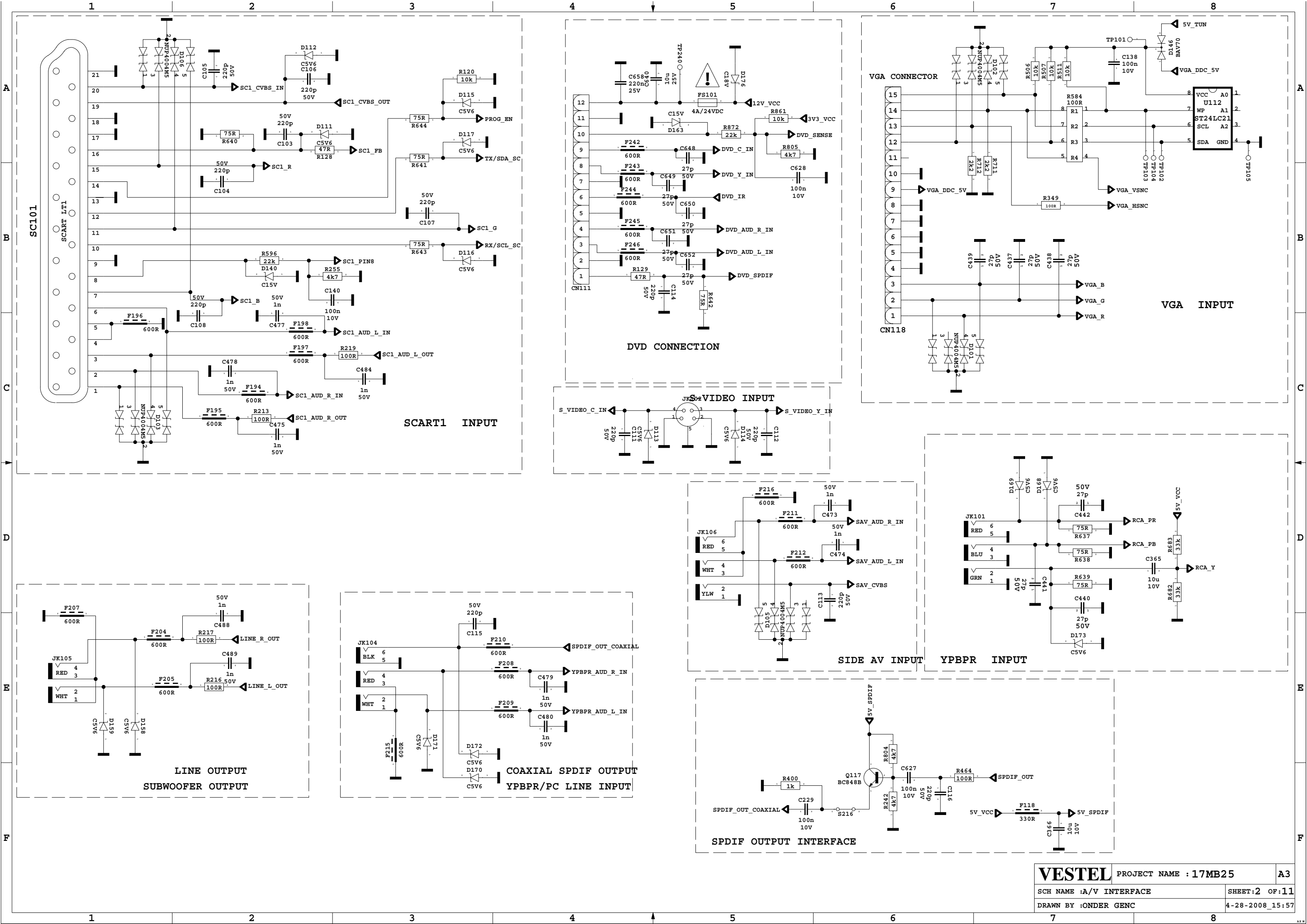
This part must be placed near the tuner



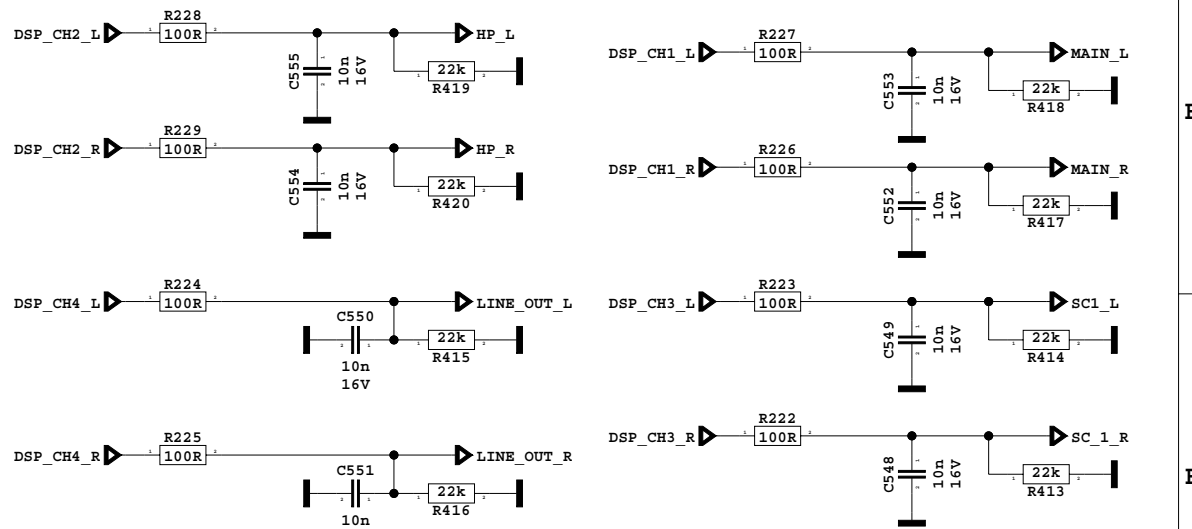
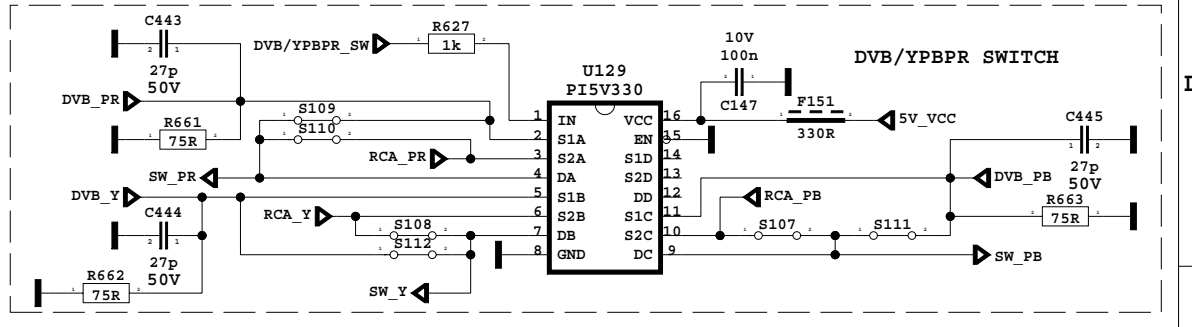
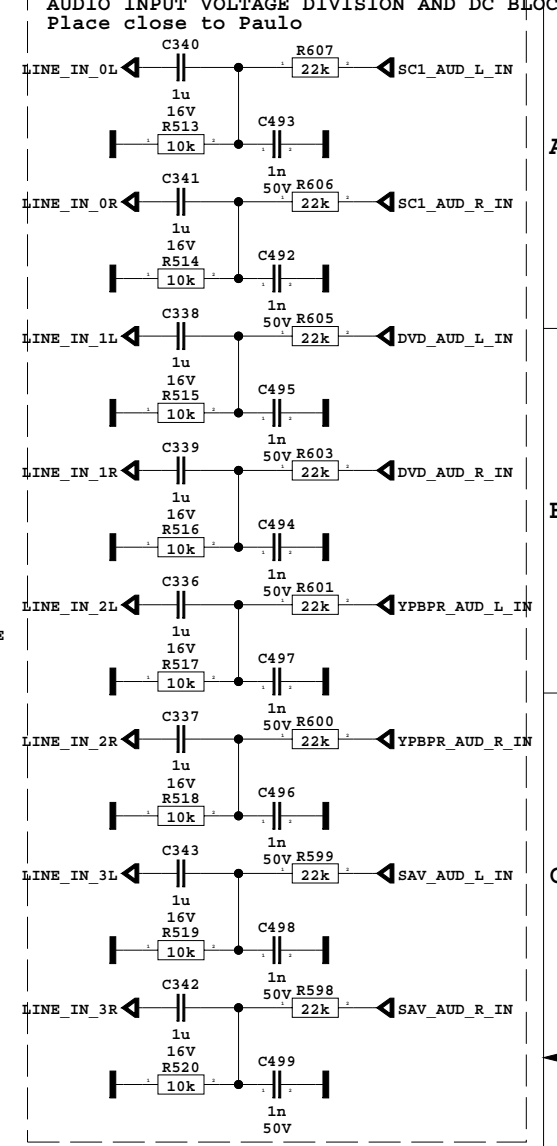
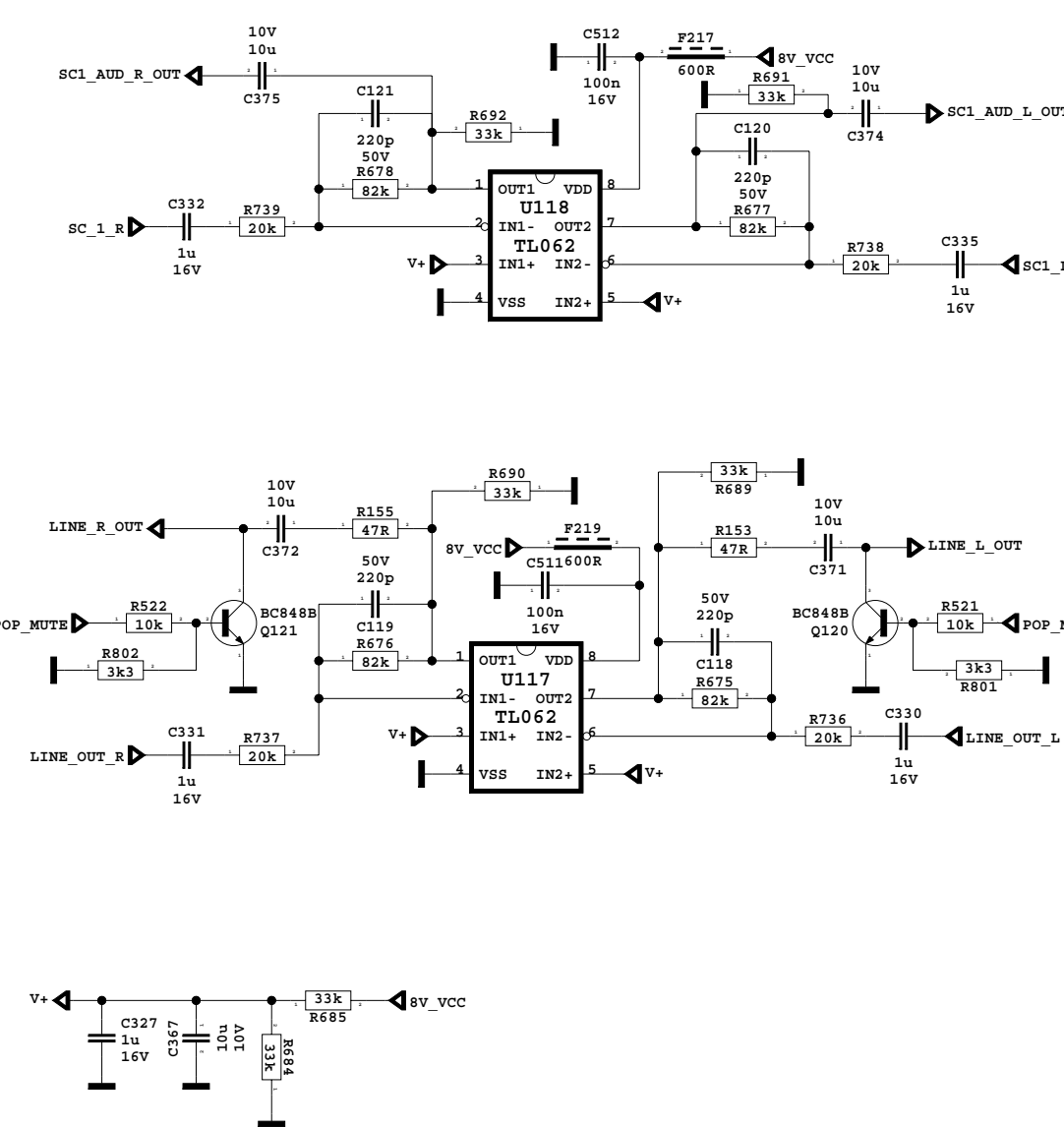
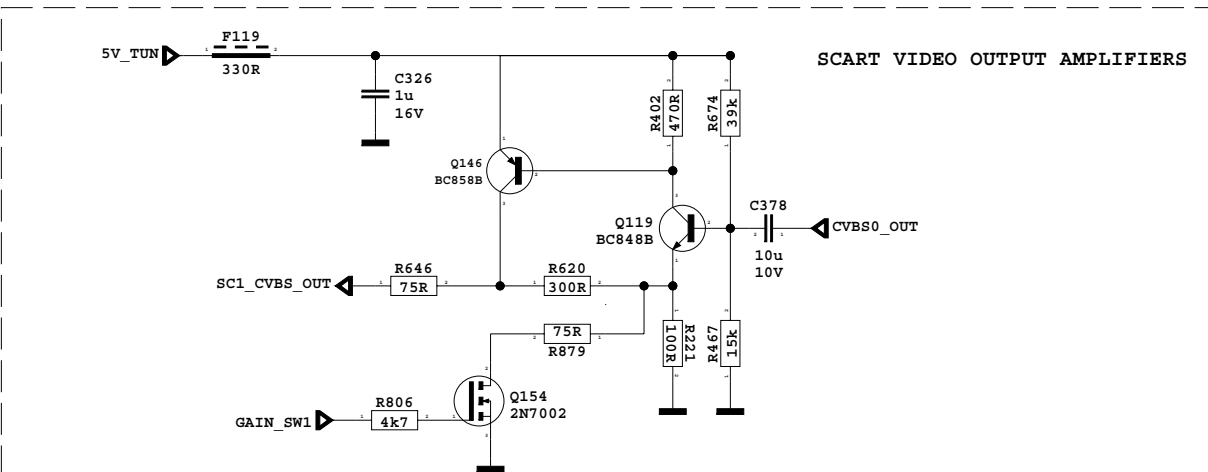
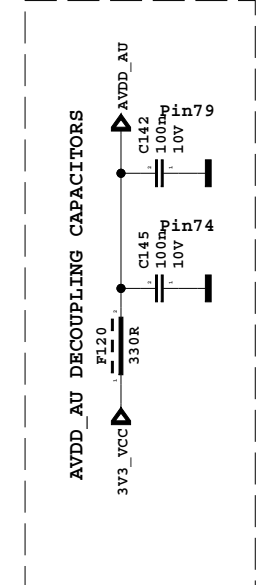
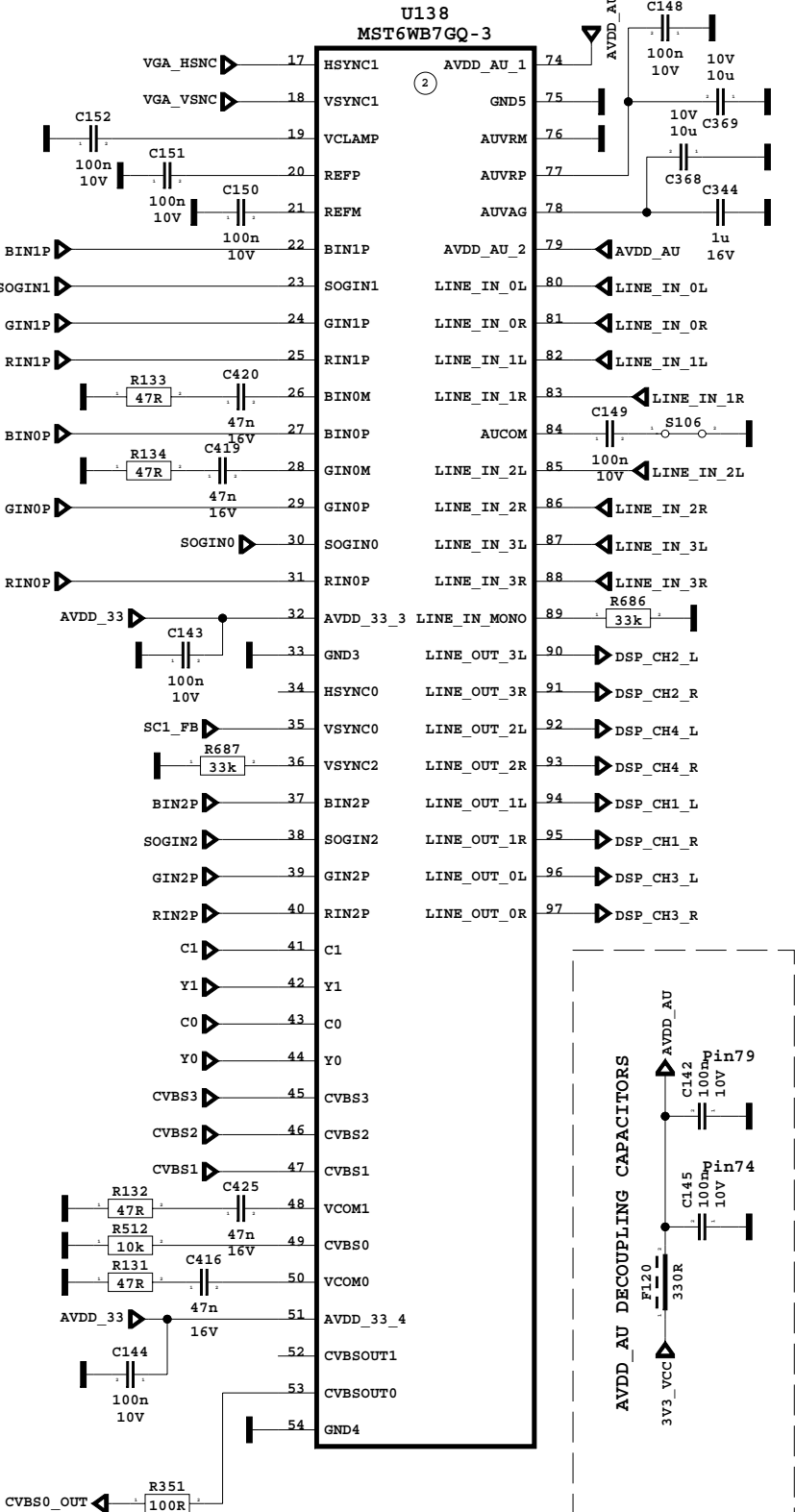
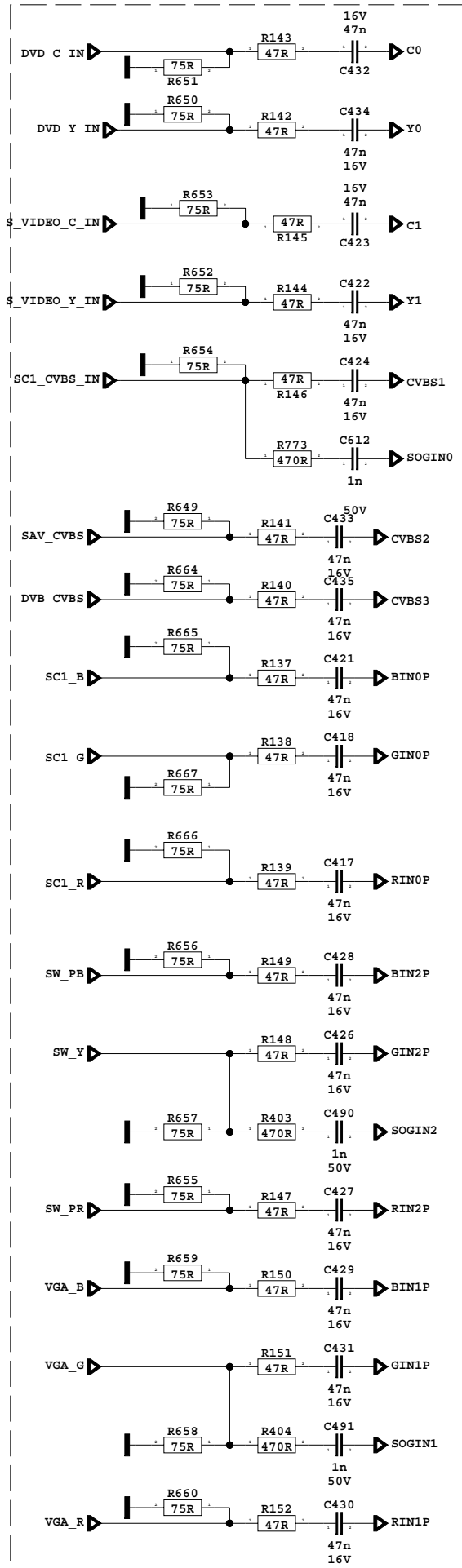
WARNING!!! Saw filter outputs must be close the chip



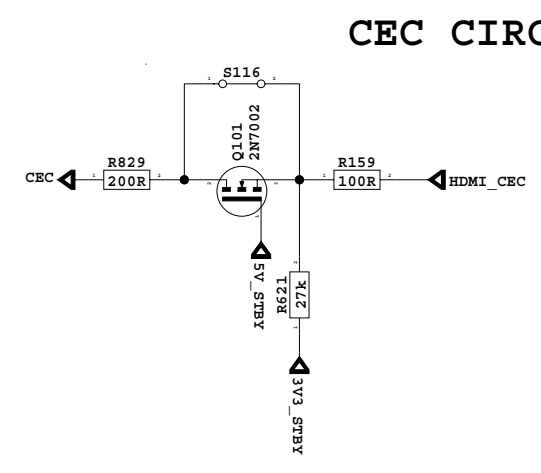
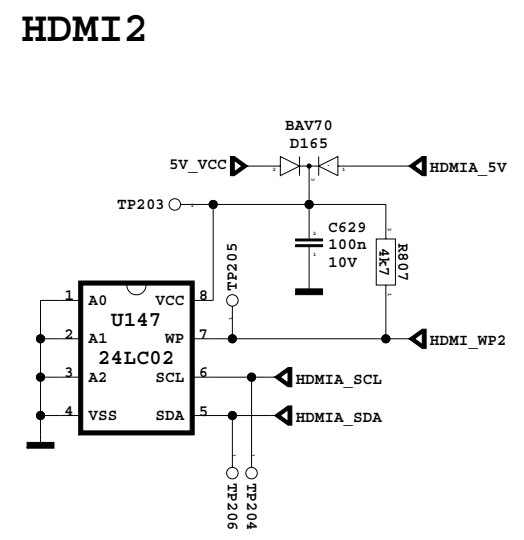
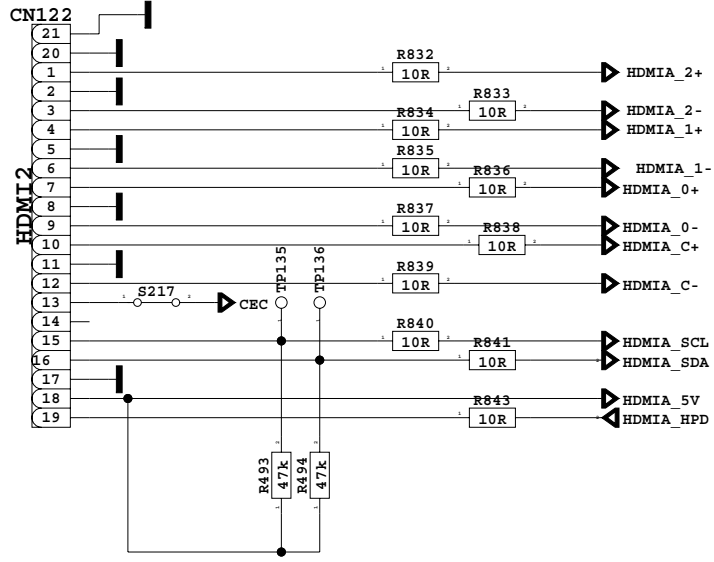
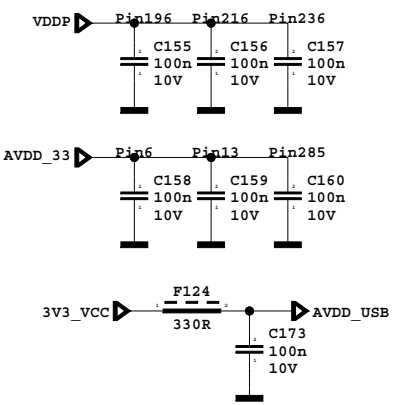
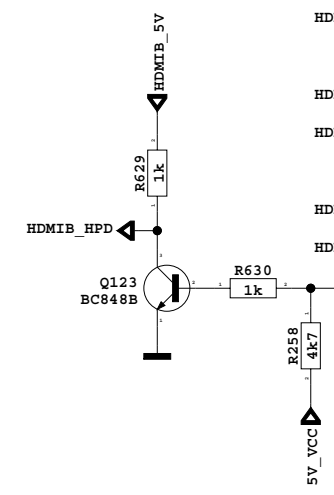
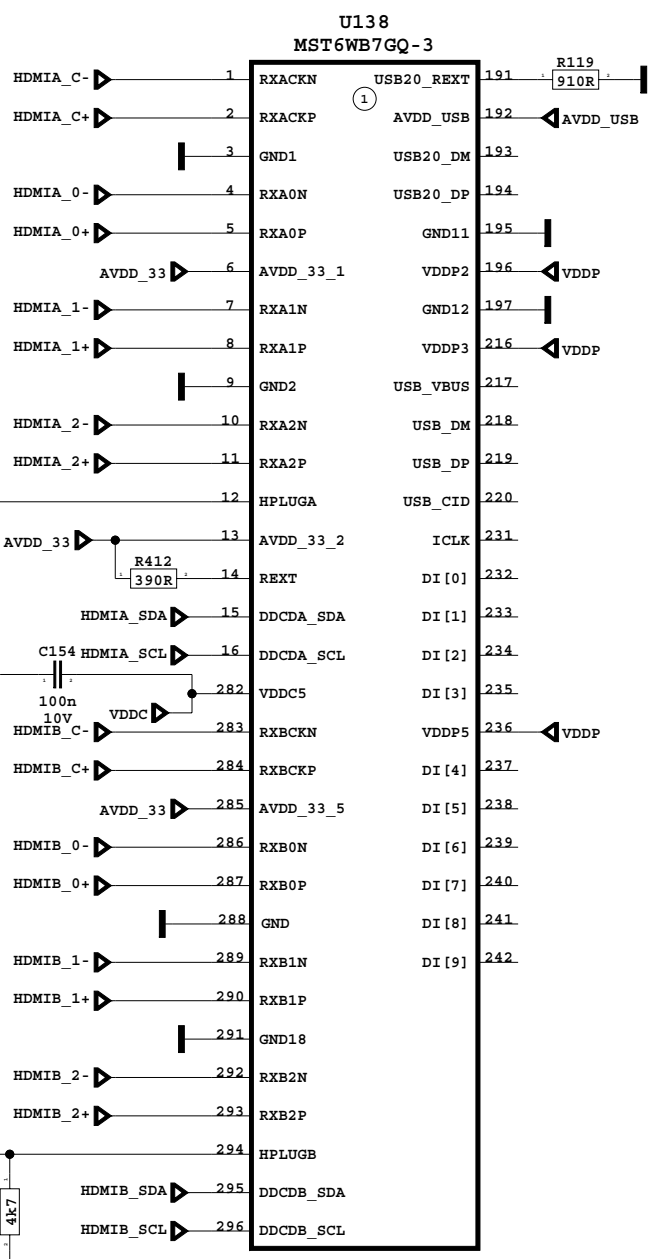
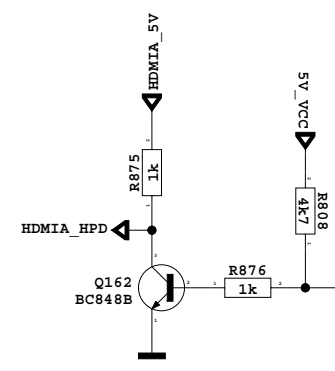
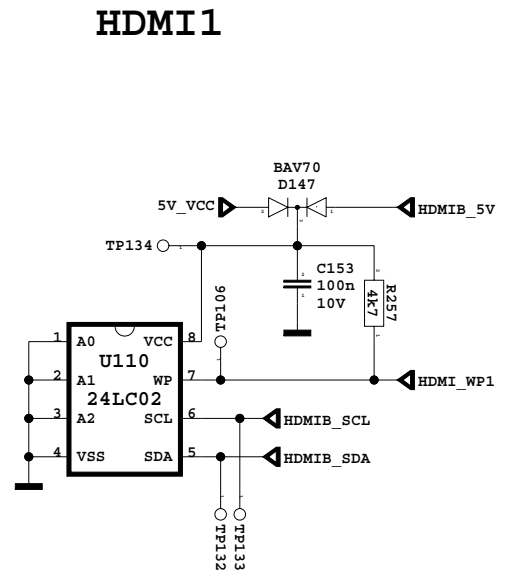
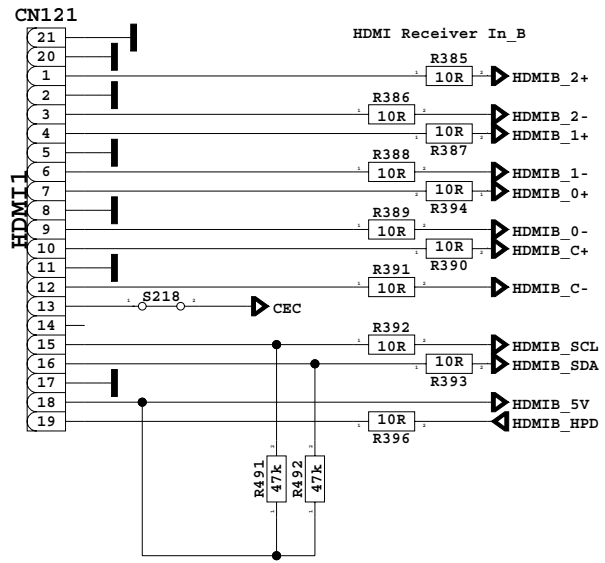
WARNING!!! This part must be close to chip



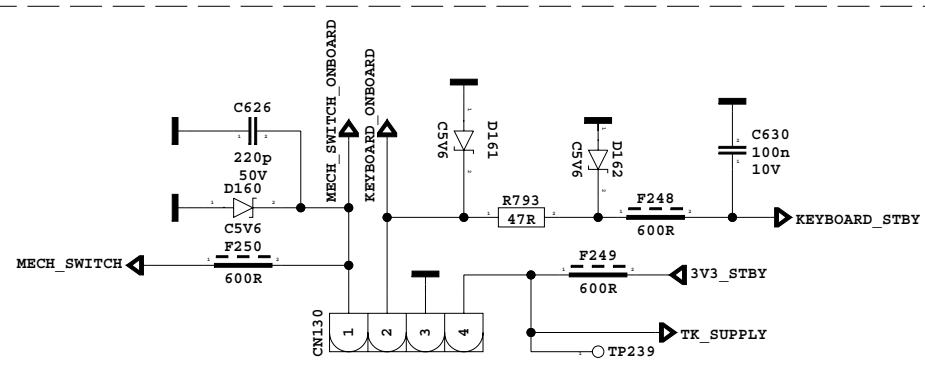
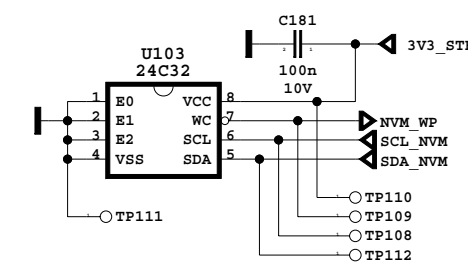
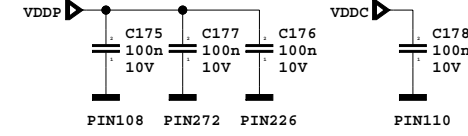
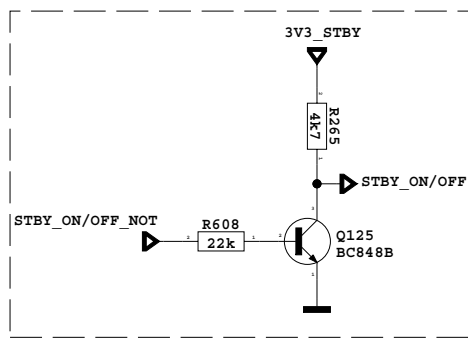
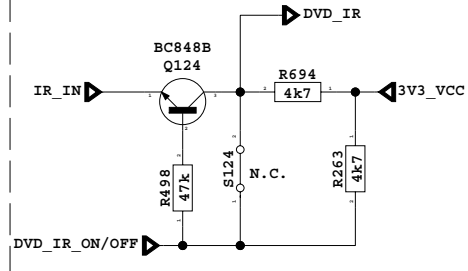
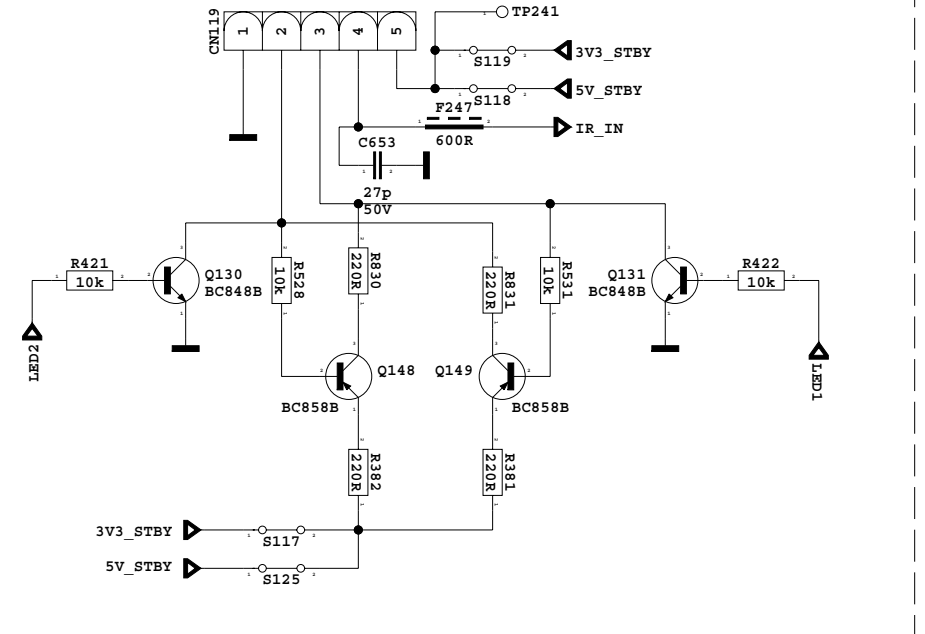
**VIDEO TERMINATIONS AND DIFFERENTIAL TRACING**  
Place 75R termination resistors close to Paulo reference GNDs



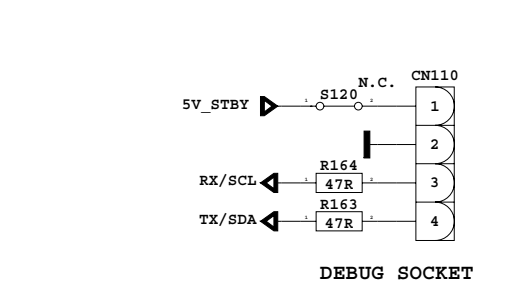
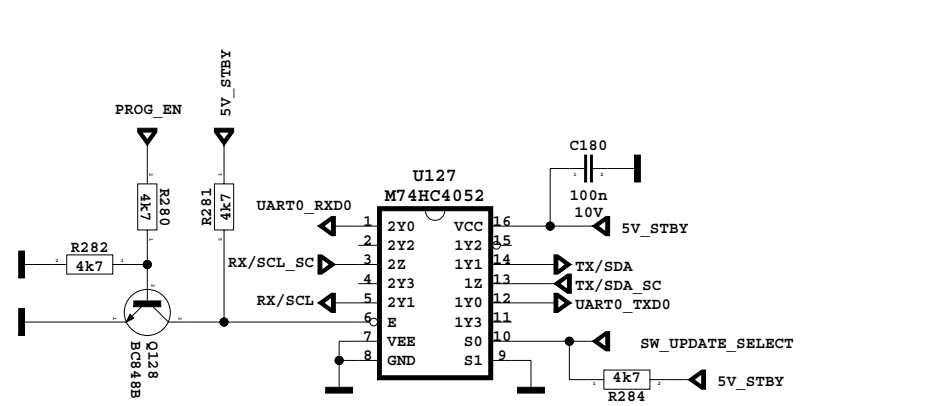
AUDIO OUTPUT FILTERS  
Place close to Paulo



**LED**

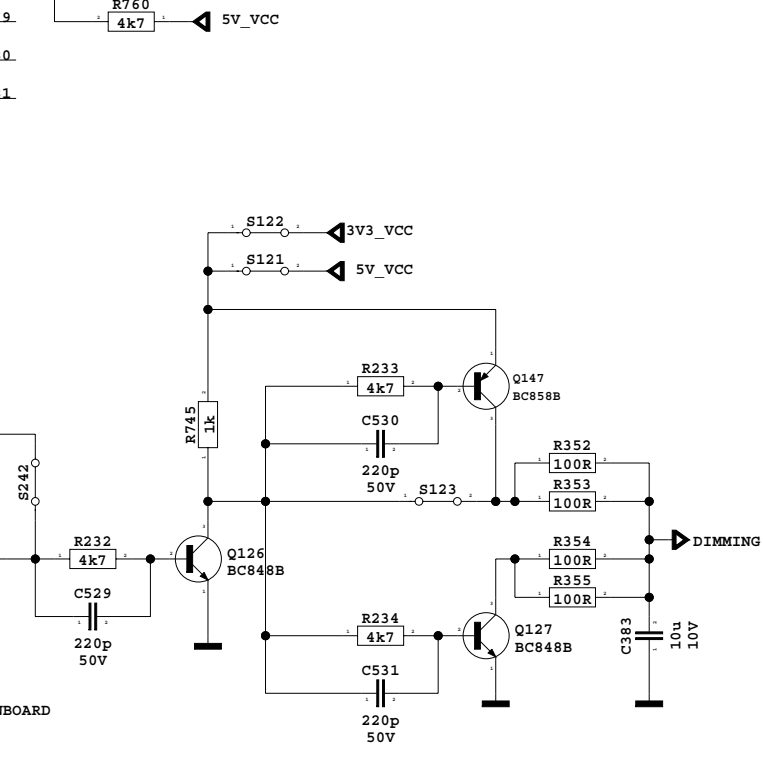
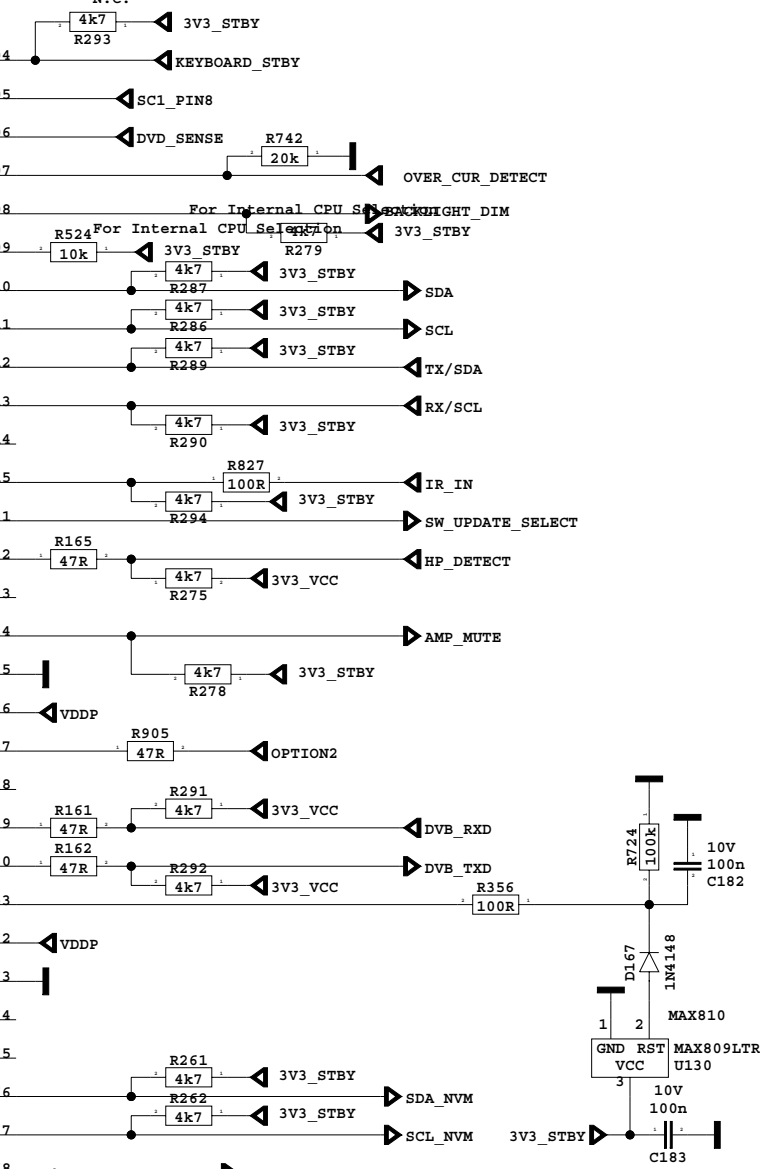
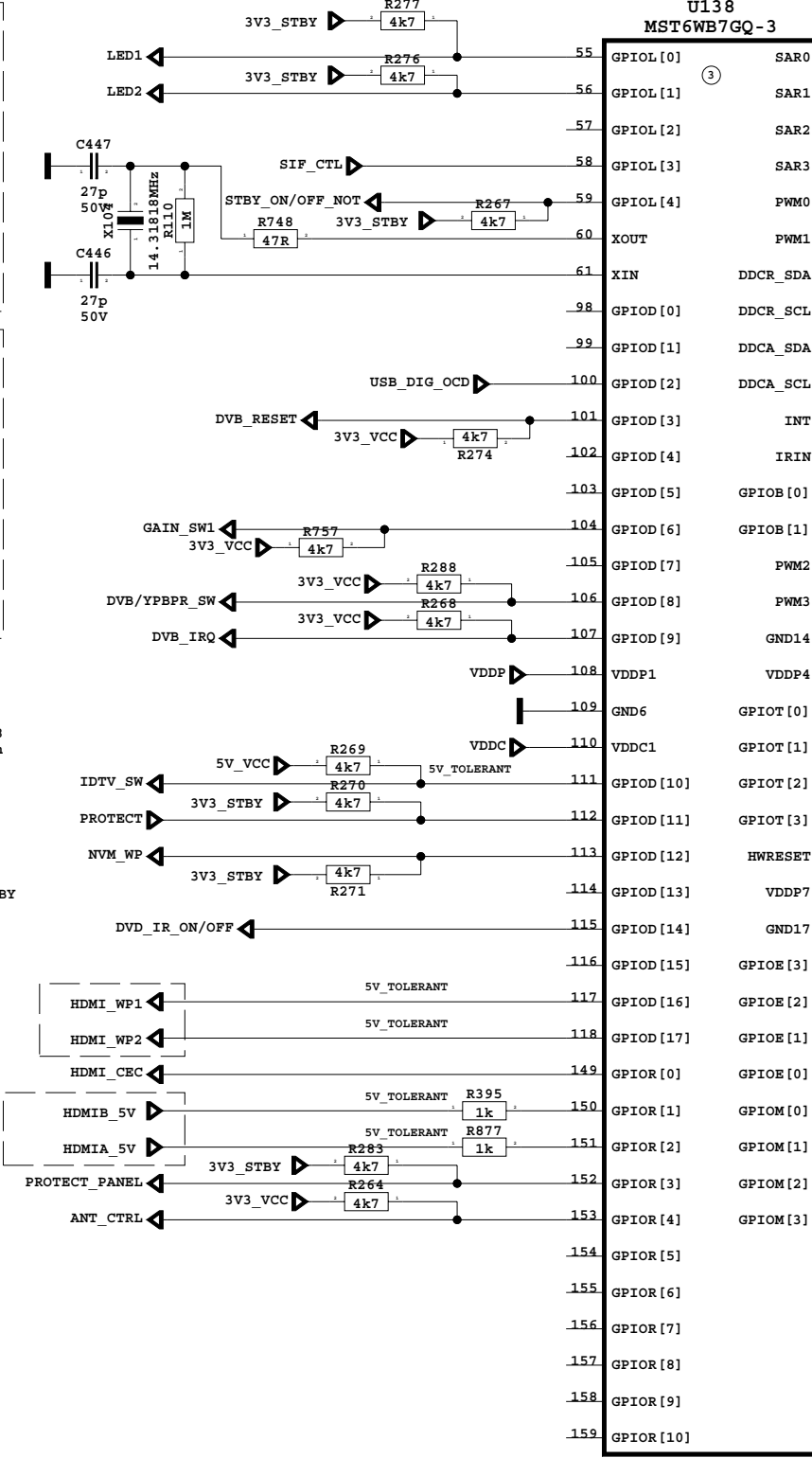
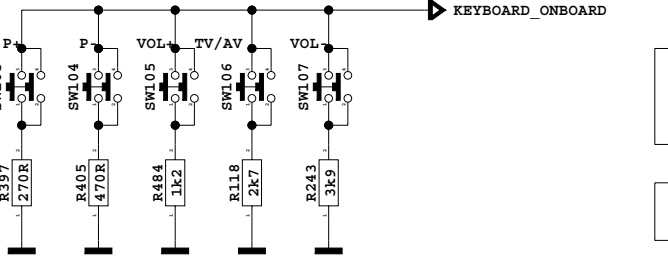


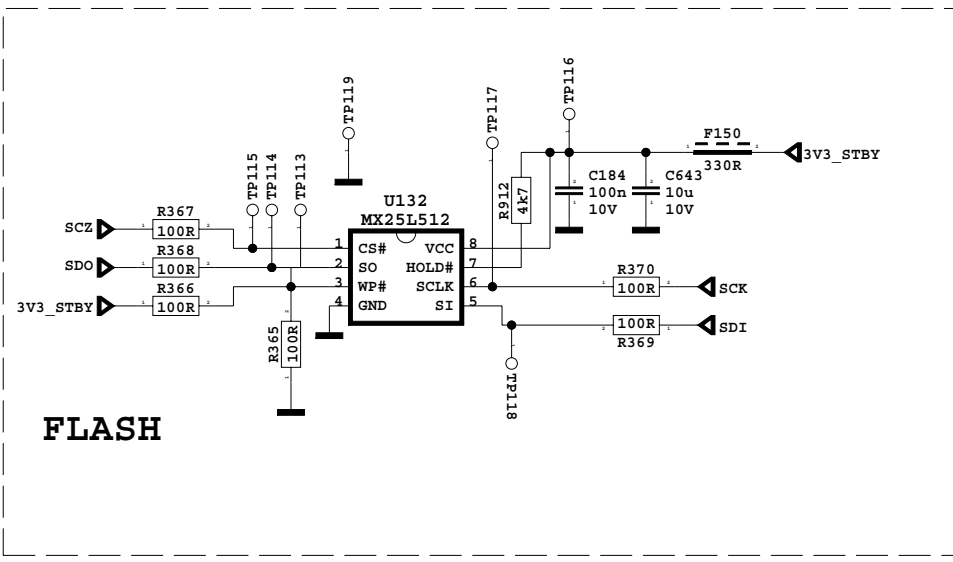
**PROGRAMMING PART**



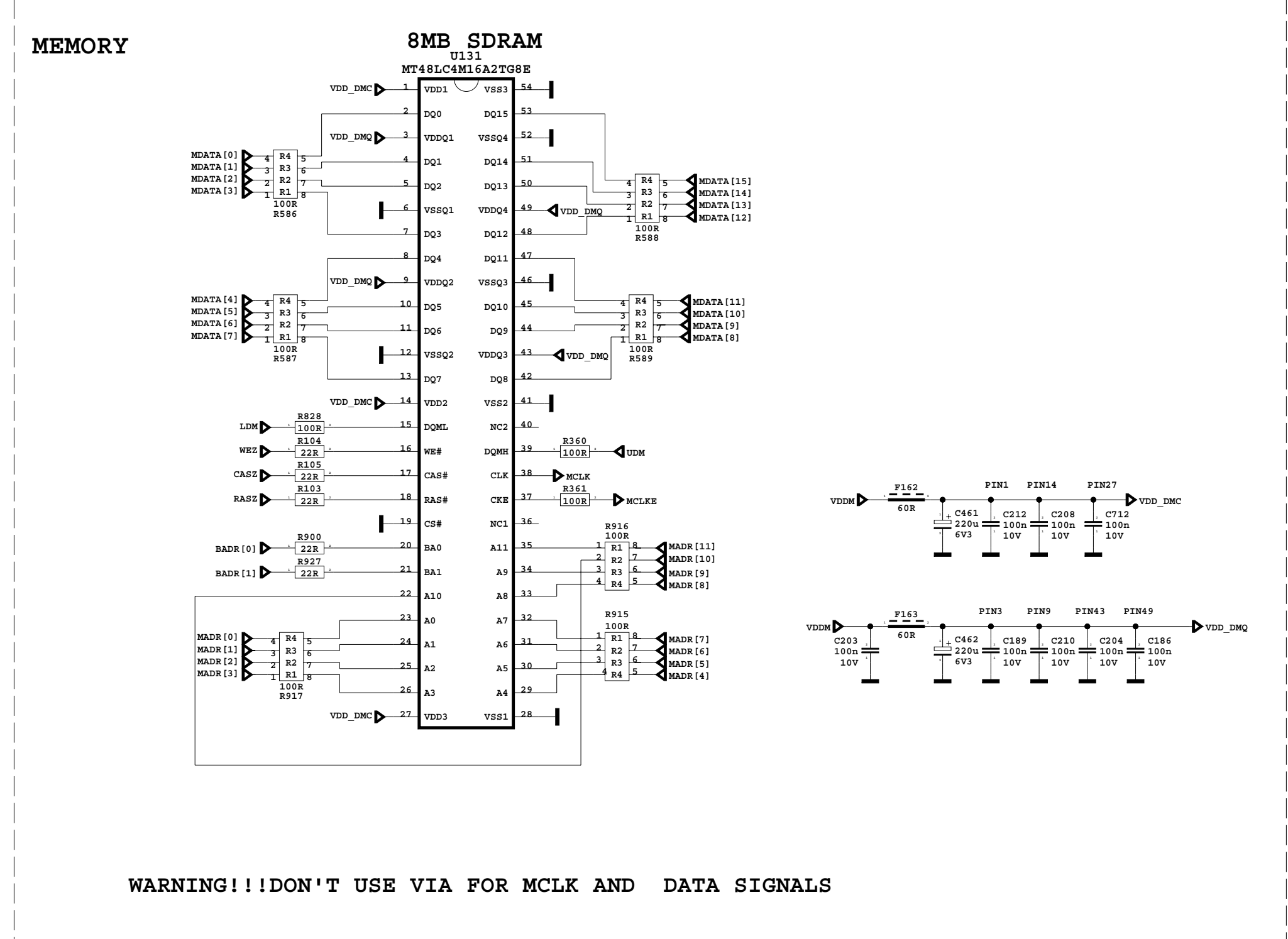
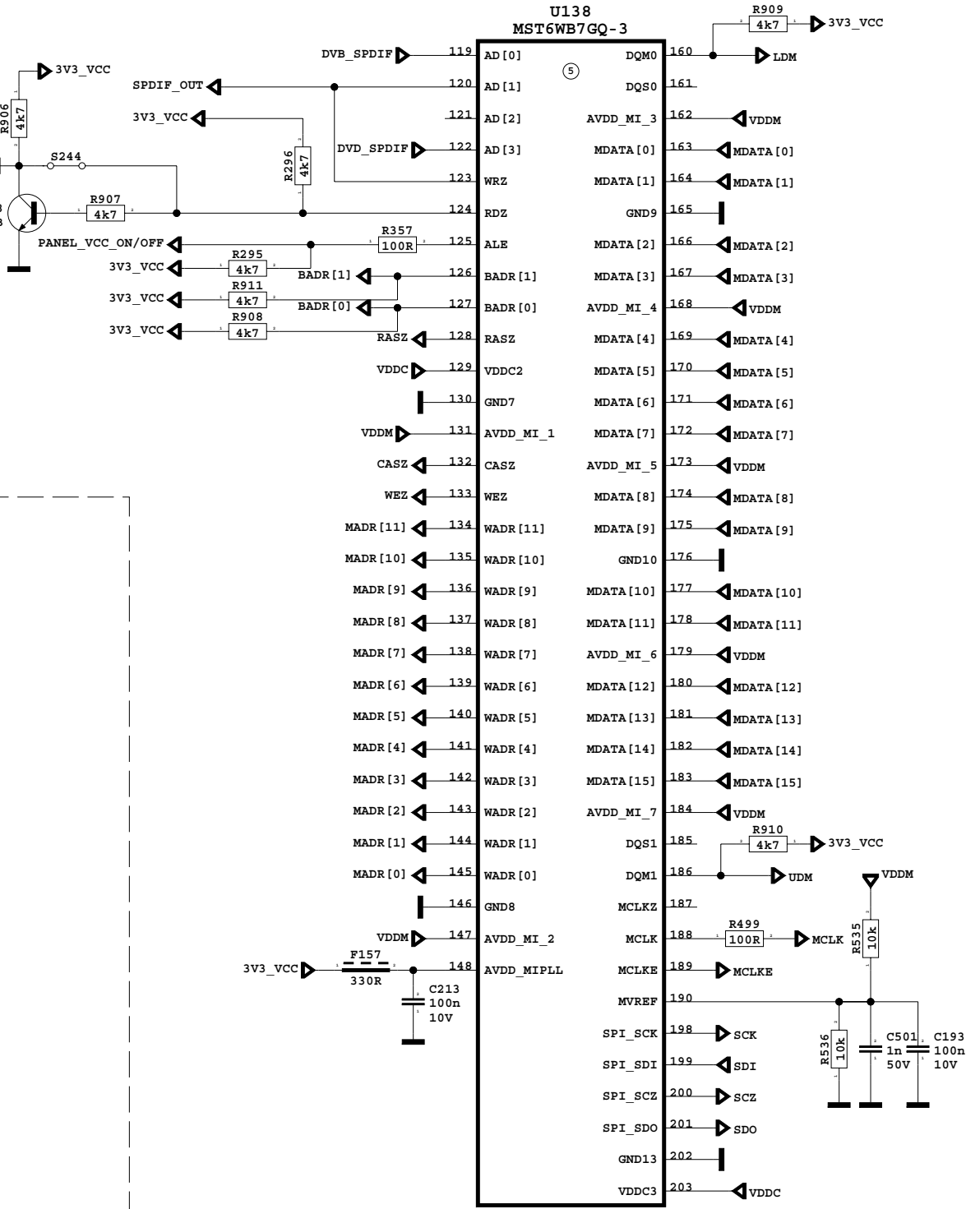
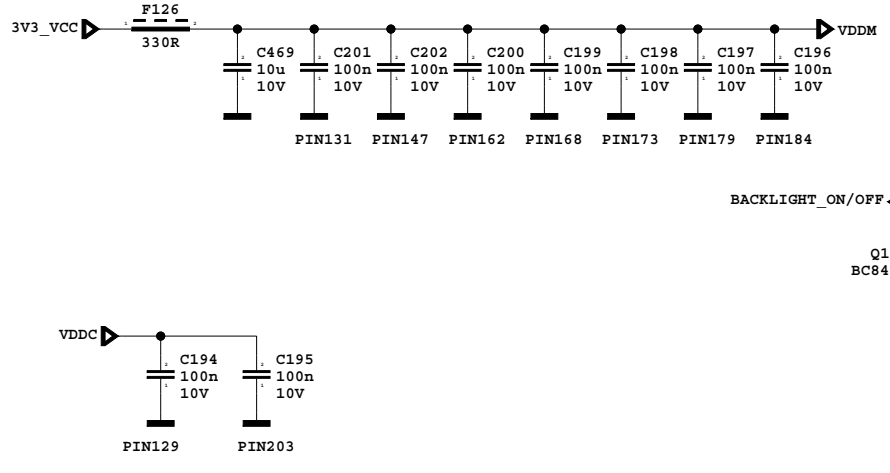
PROG_EN	
0	HC4052 DISABLE
1	HC4052 ENABLE
SW_UPDATE_SELECT	
0	DVB_SW_UPDATE
1	ANALOG_SW_UPDATE

**PUSH V+ AND V- AT THE SAME TIME FOR MENU**



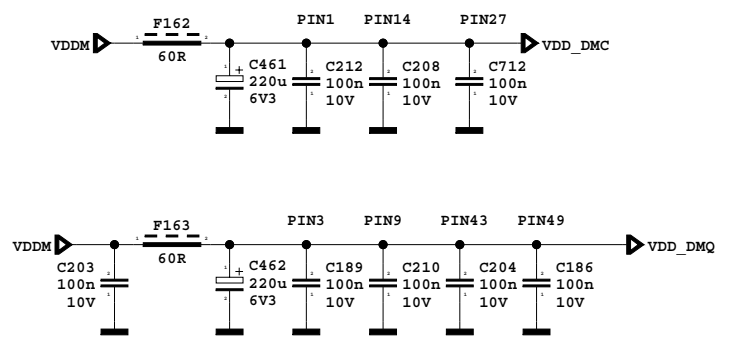


**FLASH**



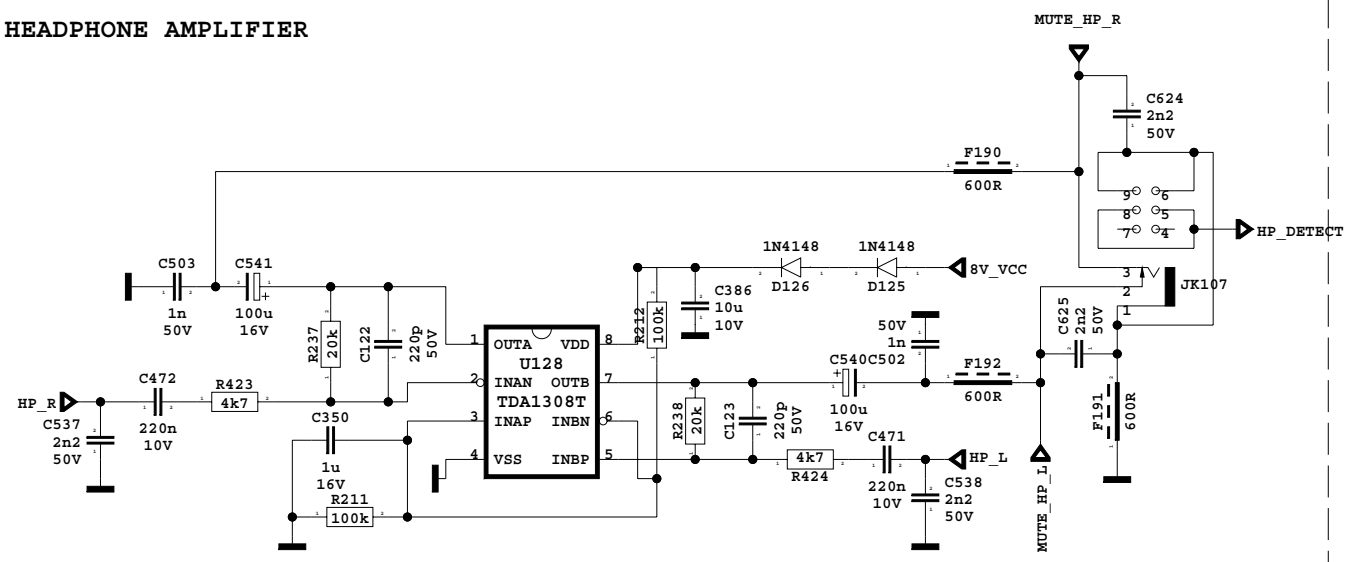
**MEMORY**

**8MB SDRAM**

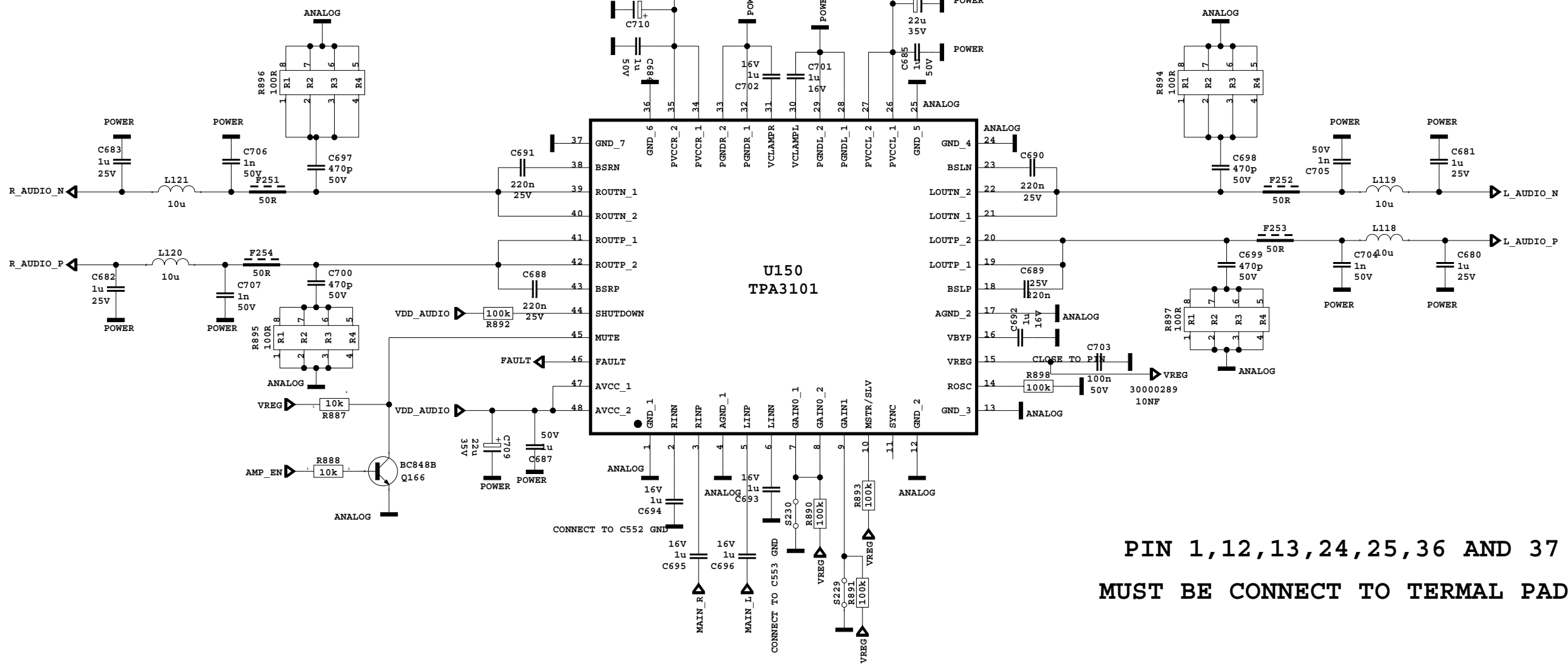
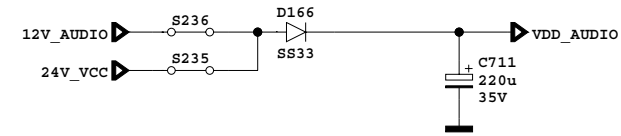
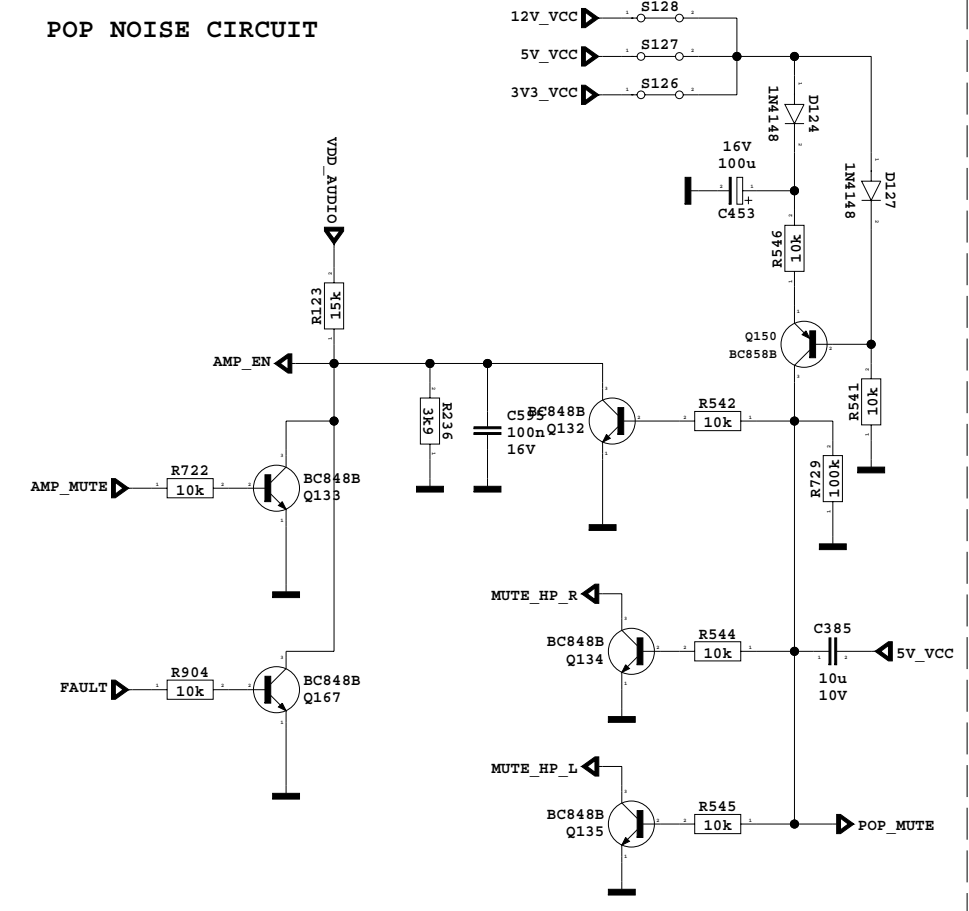


**WARNING!!!DON'T USE VIA FOR MCLK AND DATA SIGNALS**

**HEADPHONE AMPLIFIER**

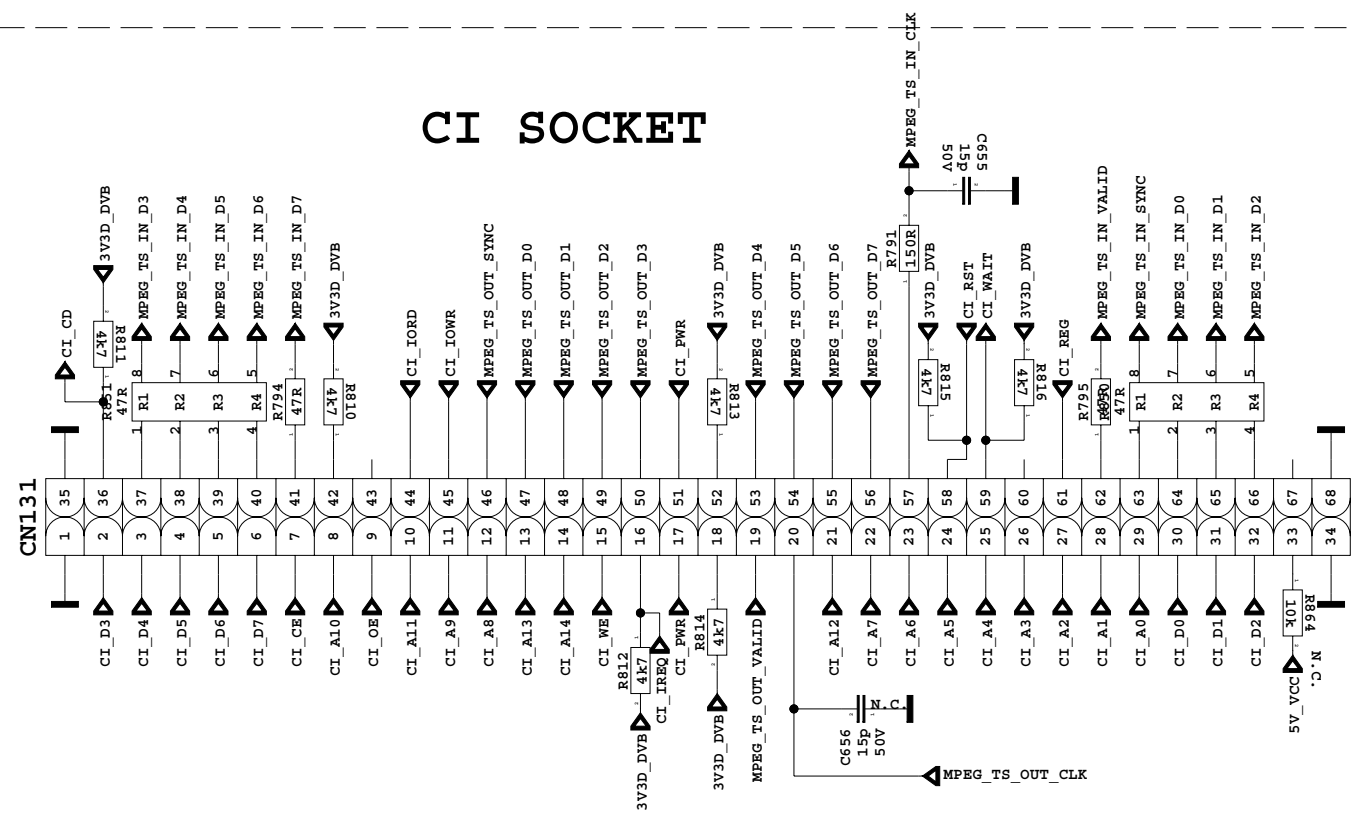


**POP NOISE CIRCUIT**

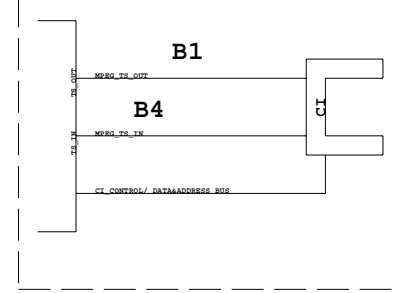


**PIN 1,12,13,24,25,36 AND 37  
MUST BE CONNECT TO TERMAL PAD**

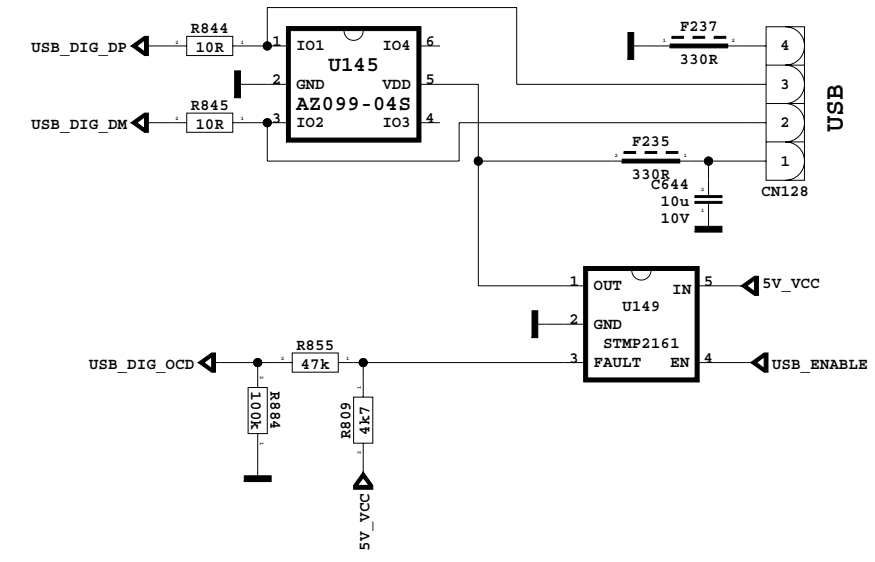
# CI SOCKET



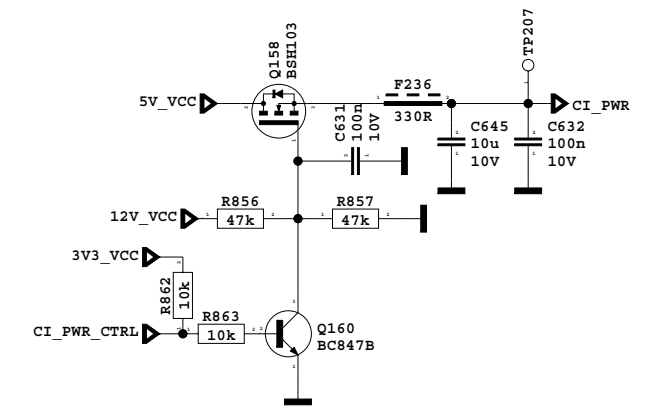
# TS ROUTING



# USB INTERFACE

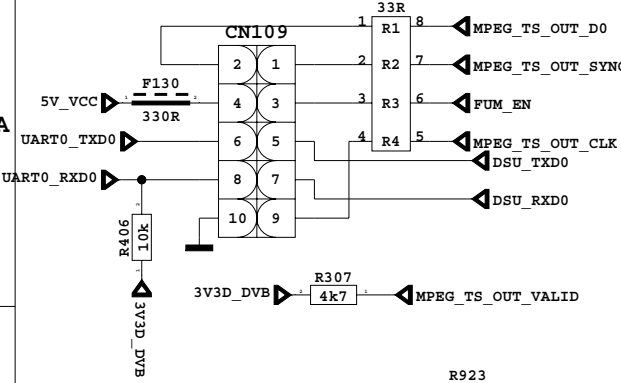


# CI 5V SWITCH CIRCUIT

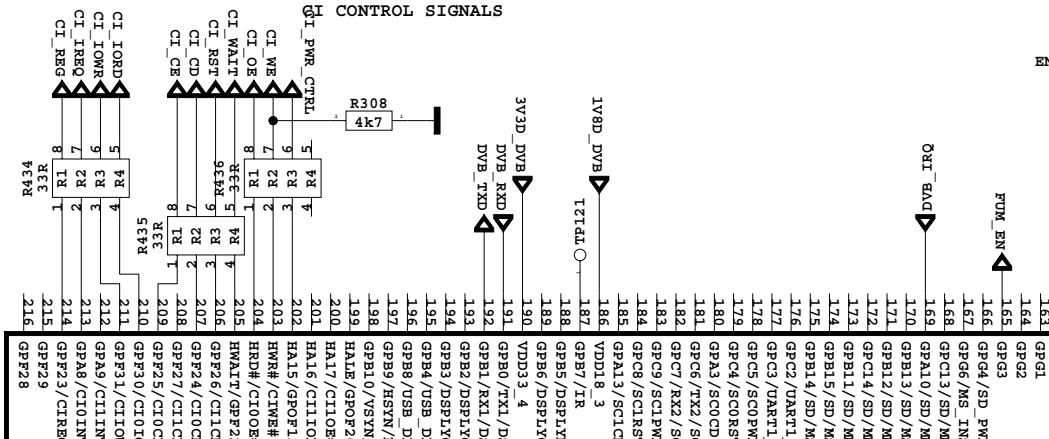




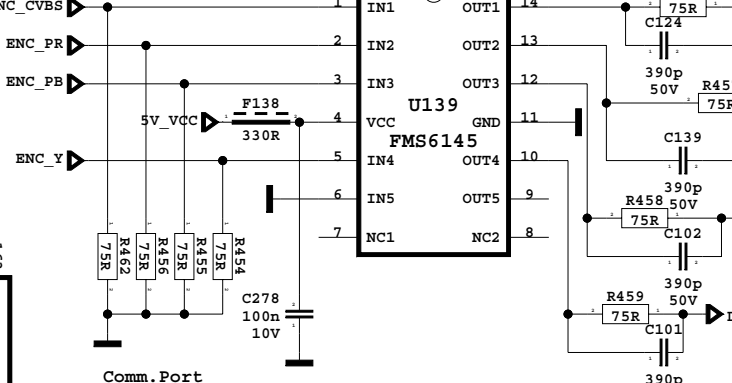
FUM Interface



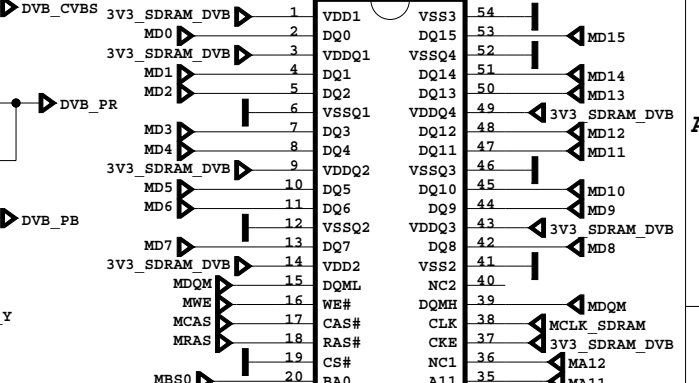
CONTROL SIGNALS



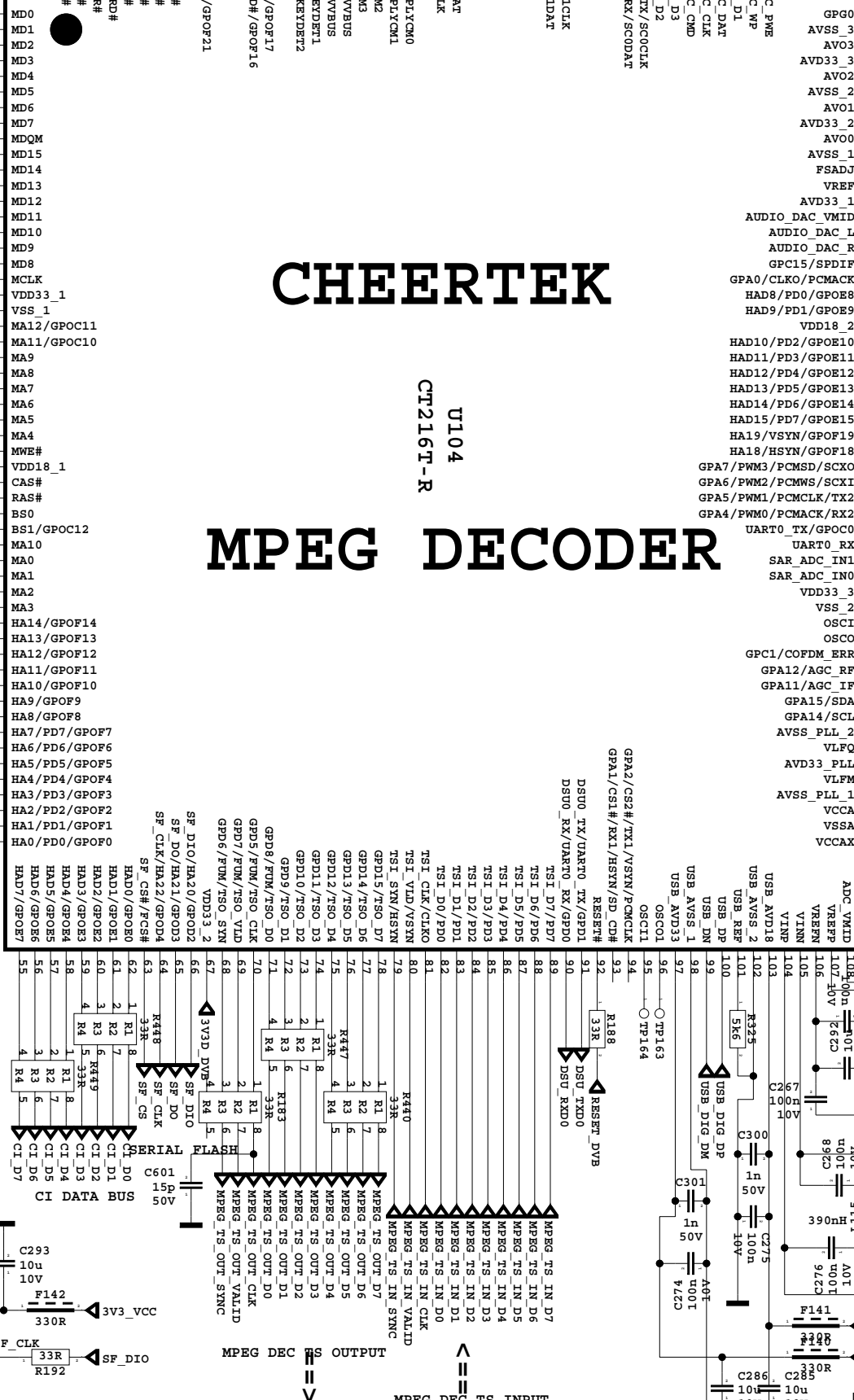
DVB VIDEO FILTER&AMP



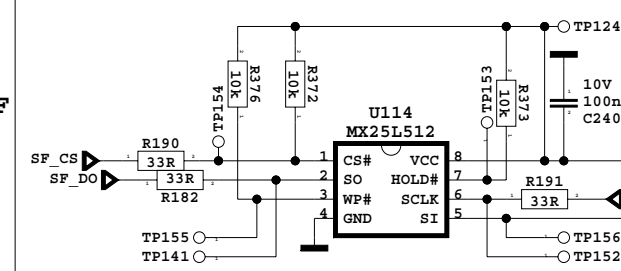
U134 SDRAM



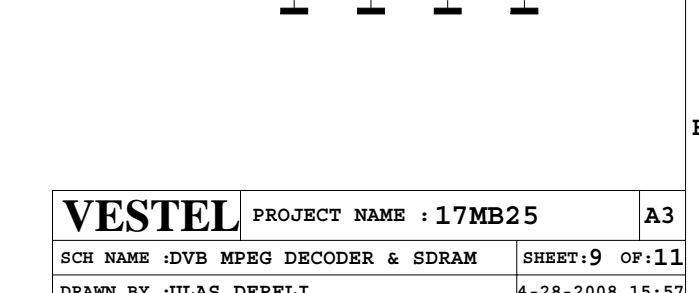
CHEERTEK U104 CT216T-R MPEG DECODER

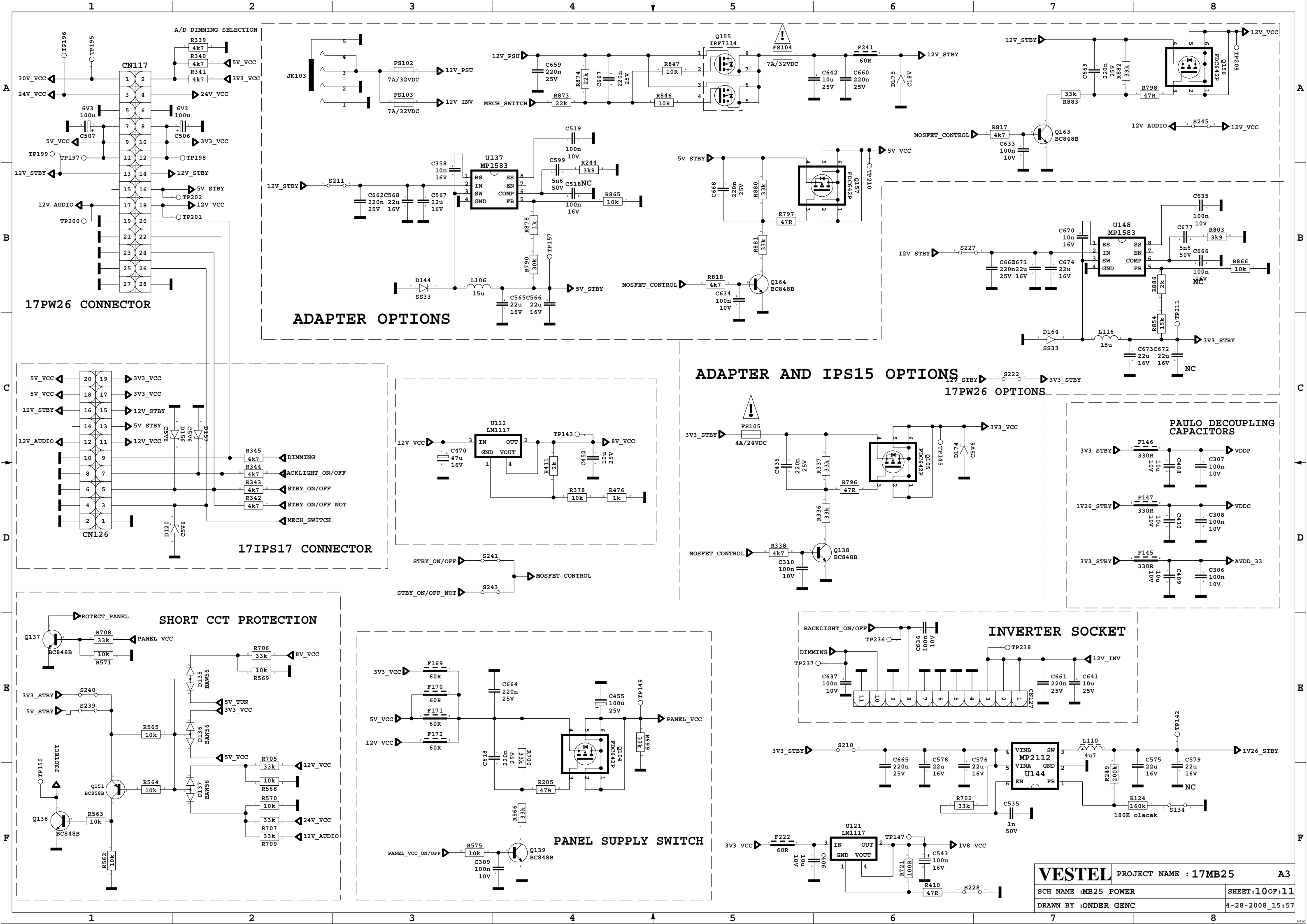


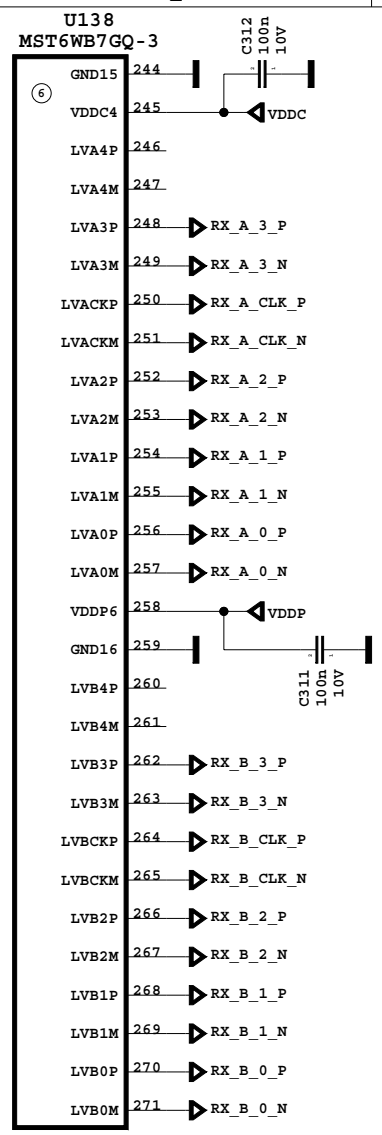
SERIAL FLASH



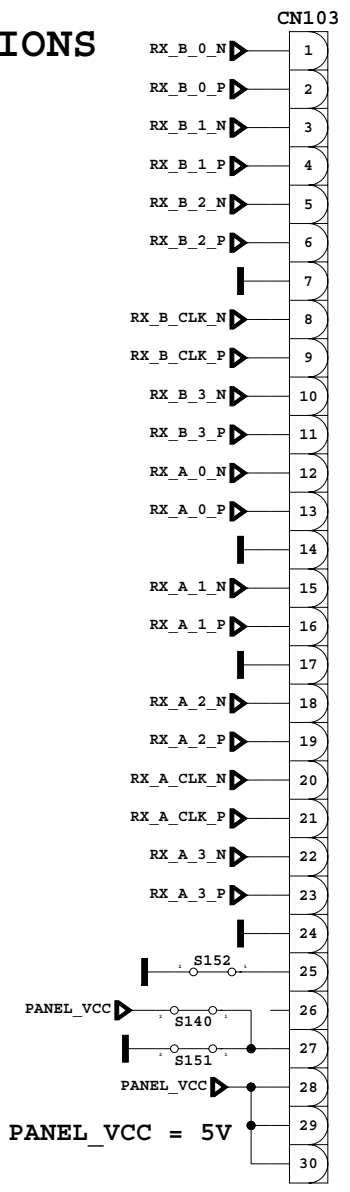
DVB RESET



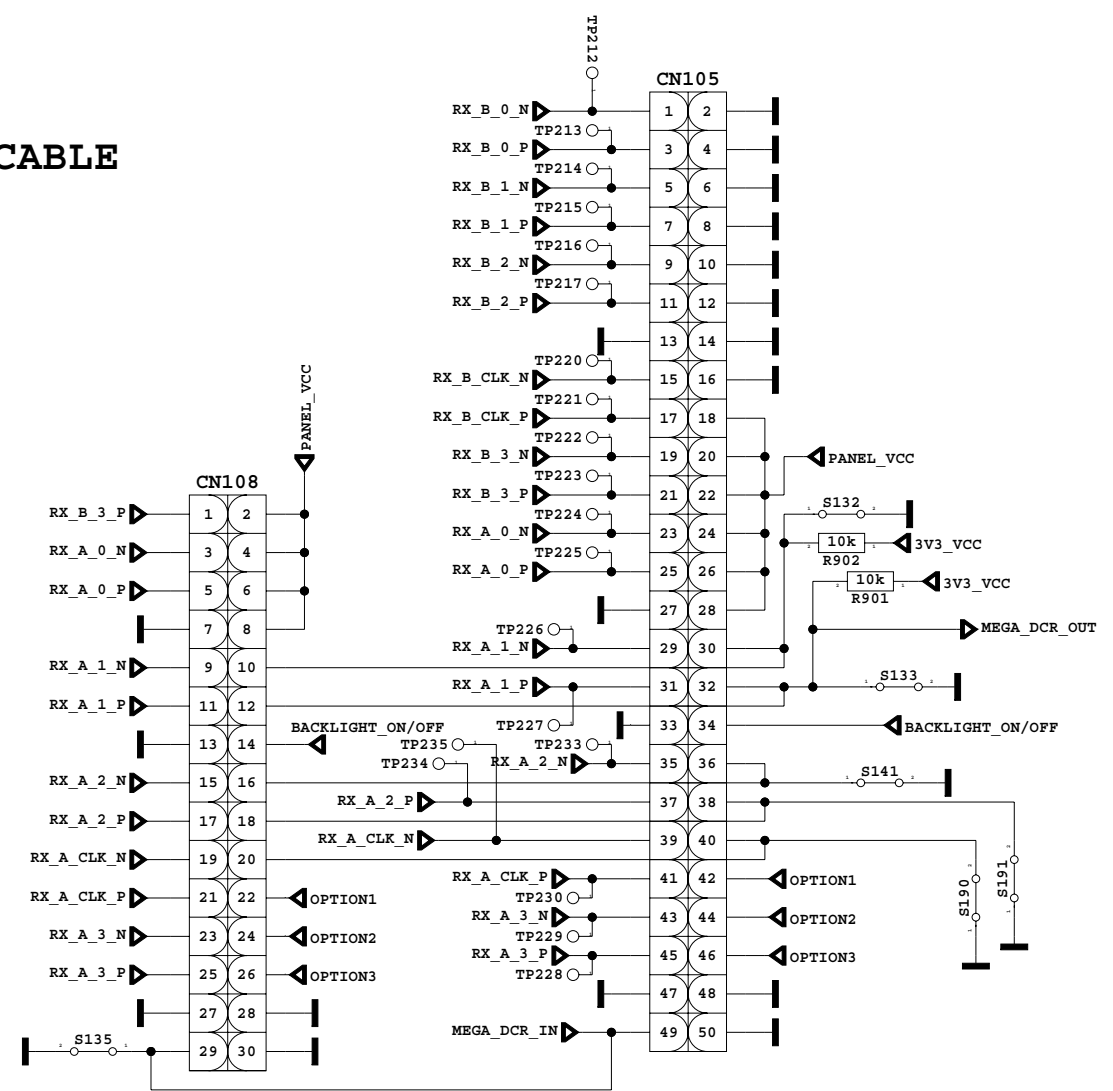




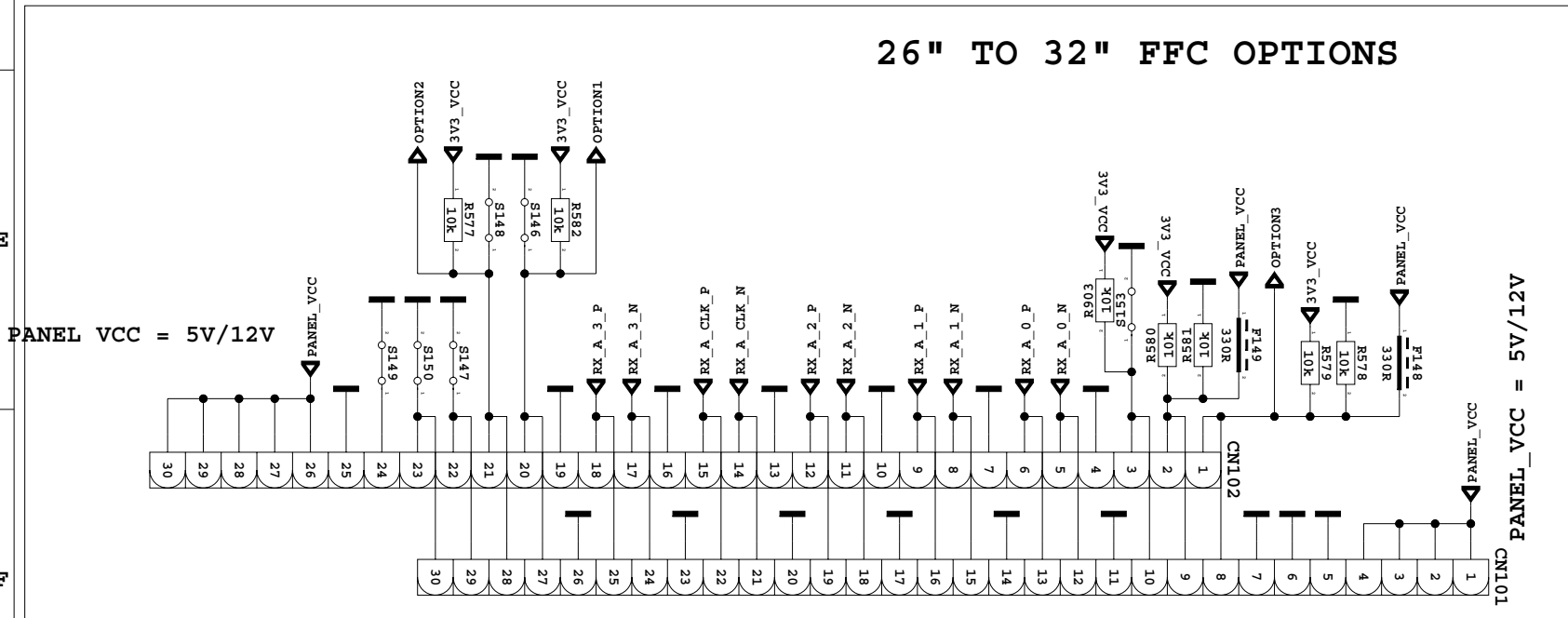
19" TO 22" FFC OPTIONS

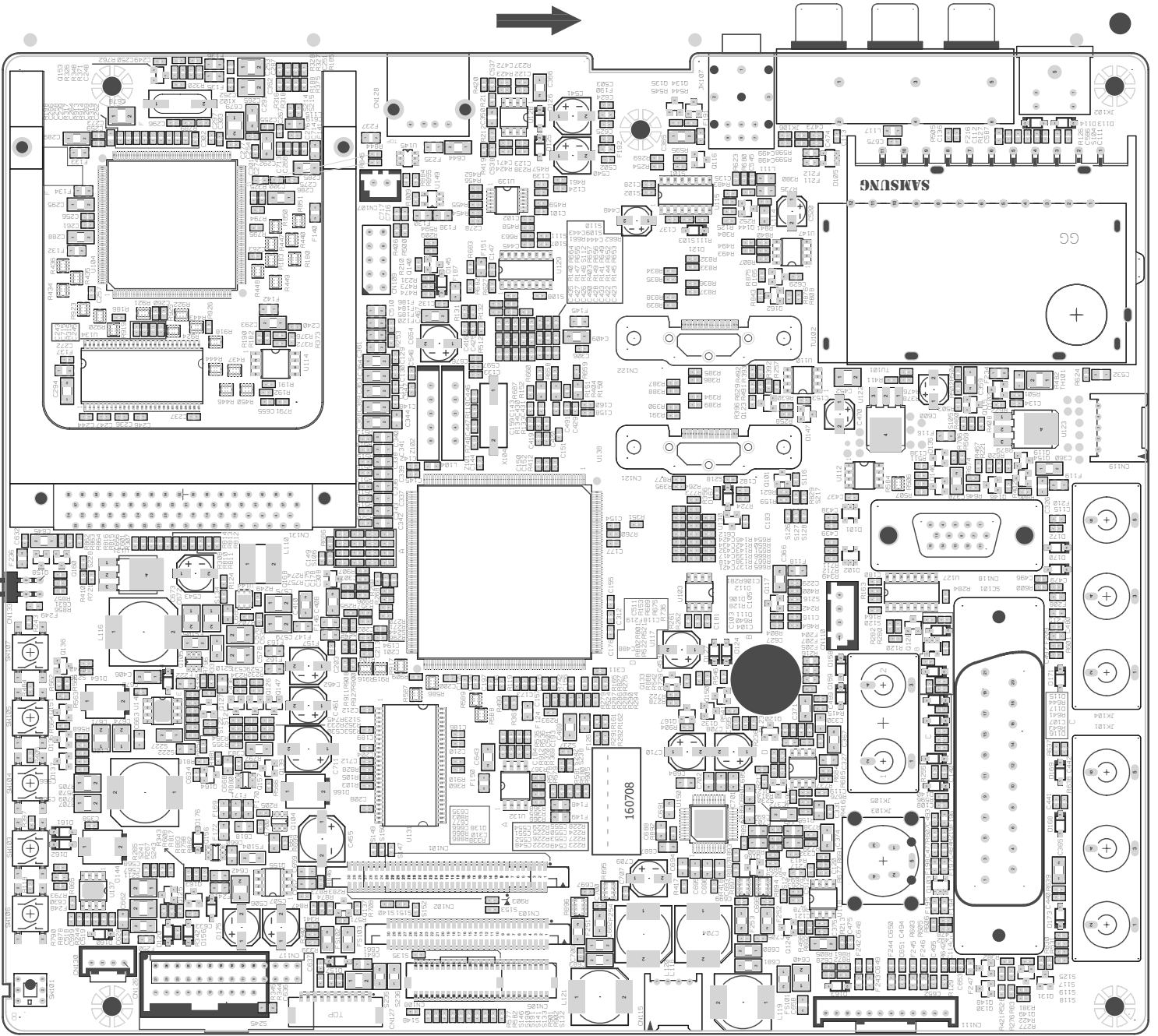


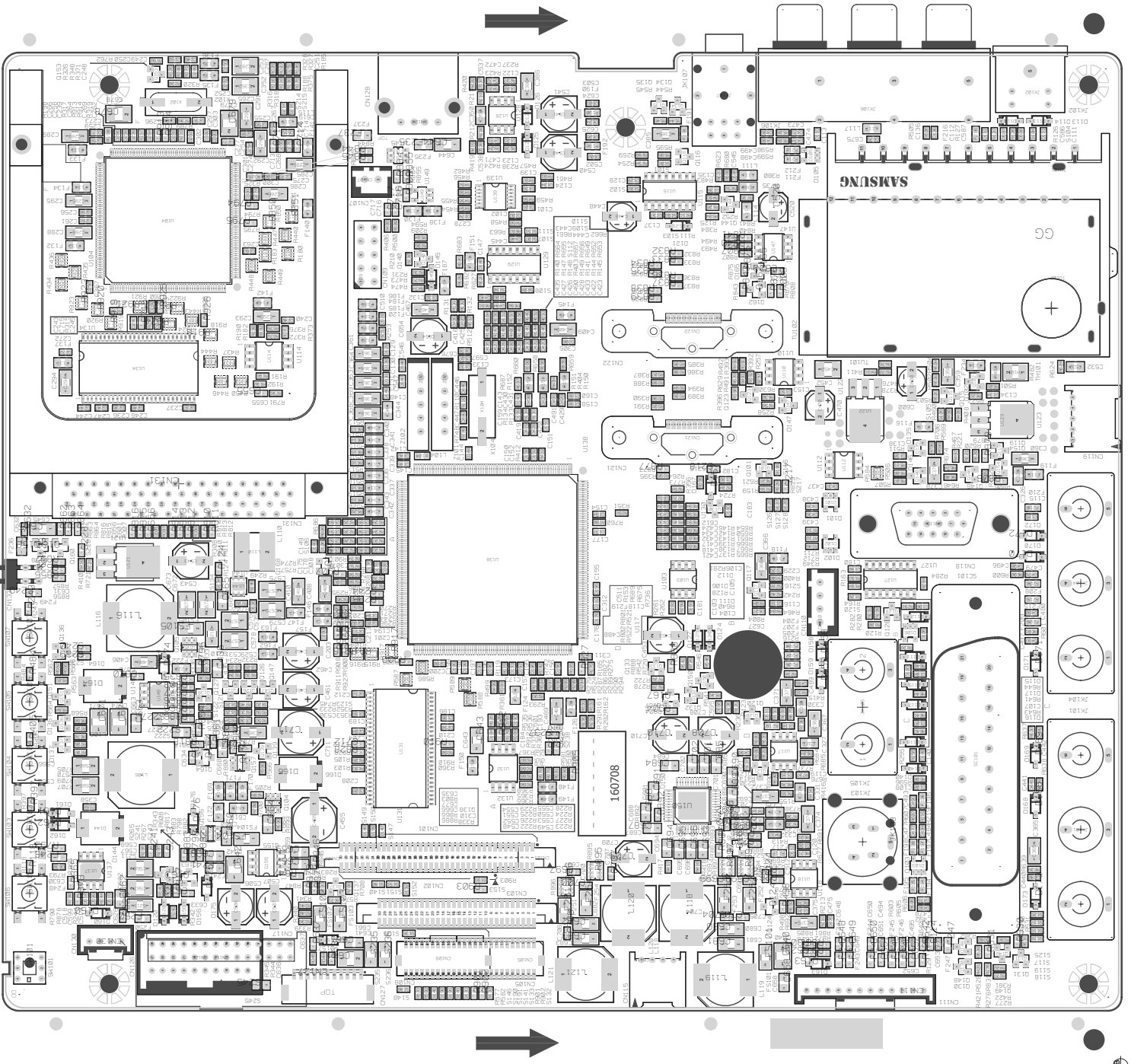
LVDS CABLE



26" TO 32" FFC OPTIONS







BARKOD

