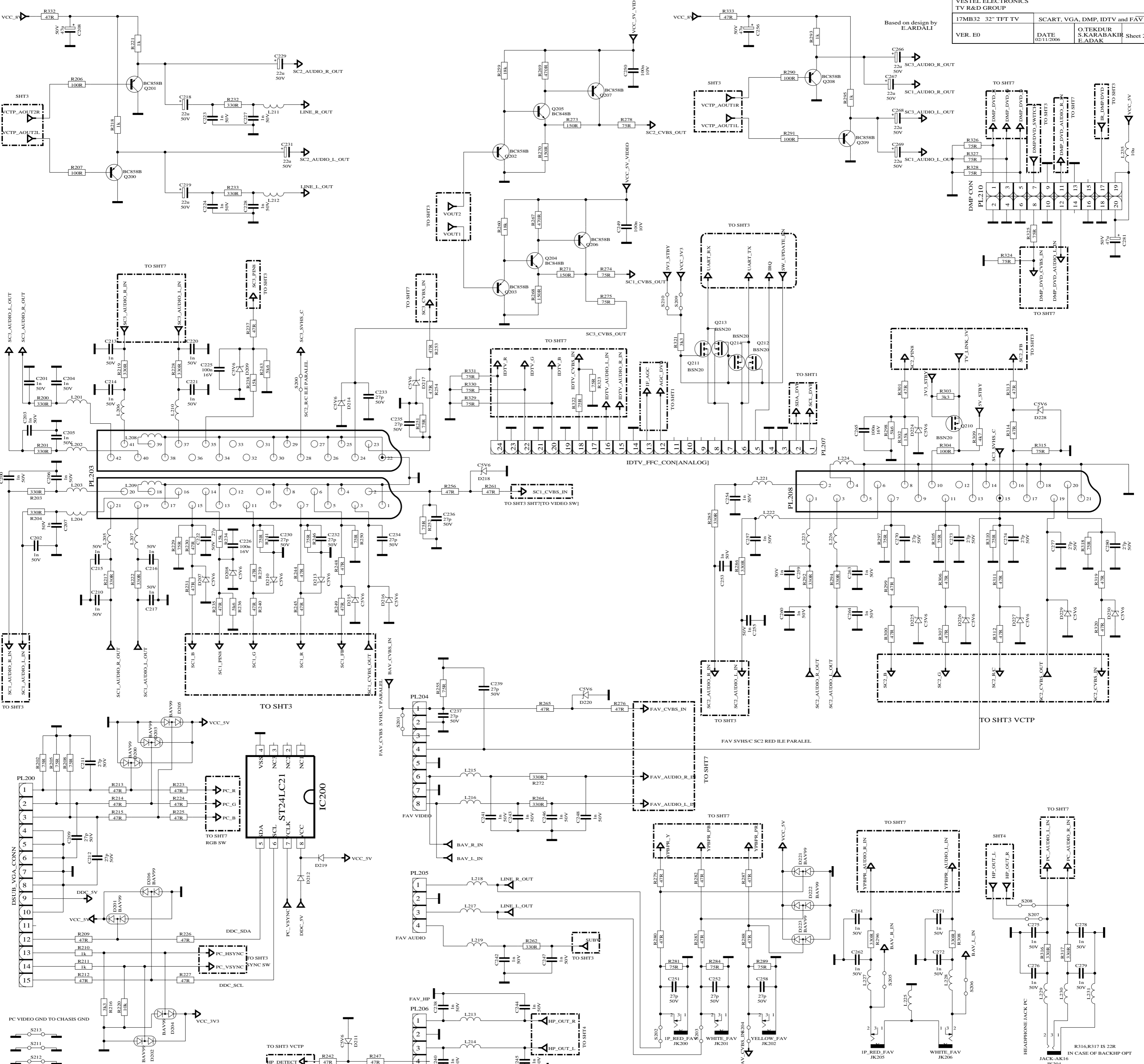


FOR THE USE OF EXTERNAL CLOCK  
C124,C134 IS 1NF [30012581]  
X100 AND C123 IS REMOVED

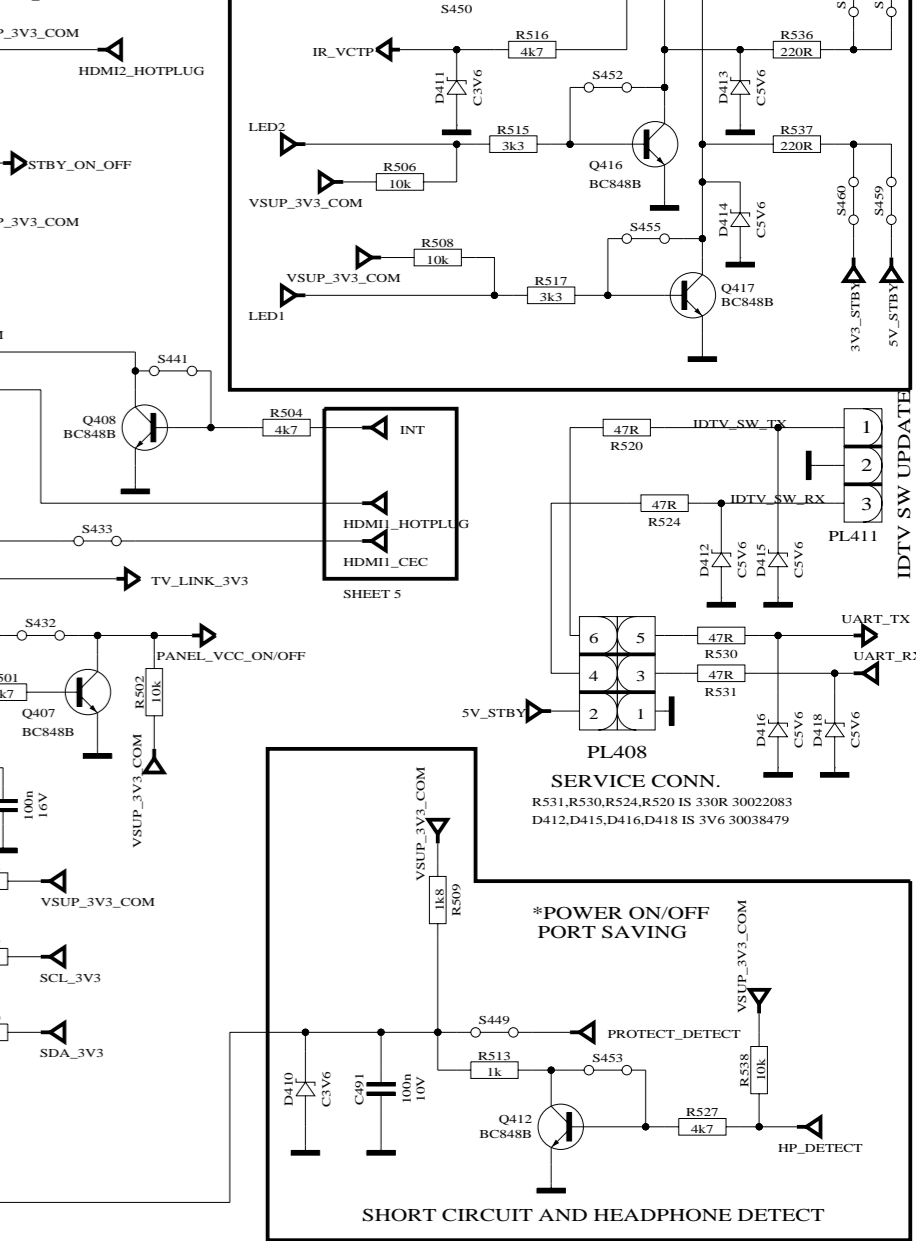
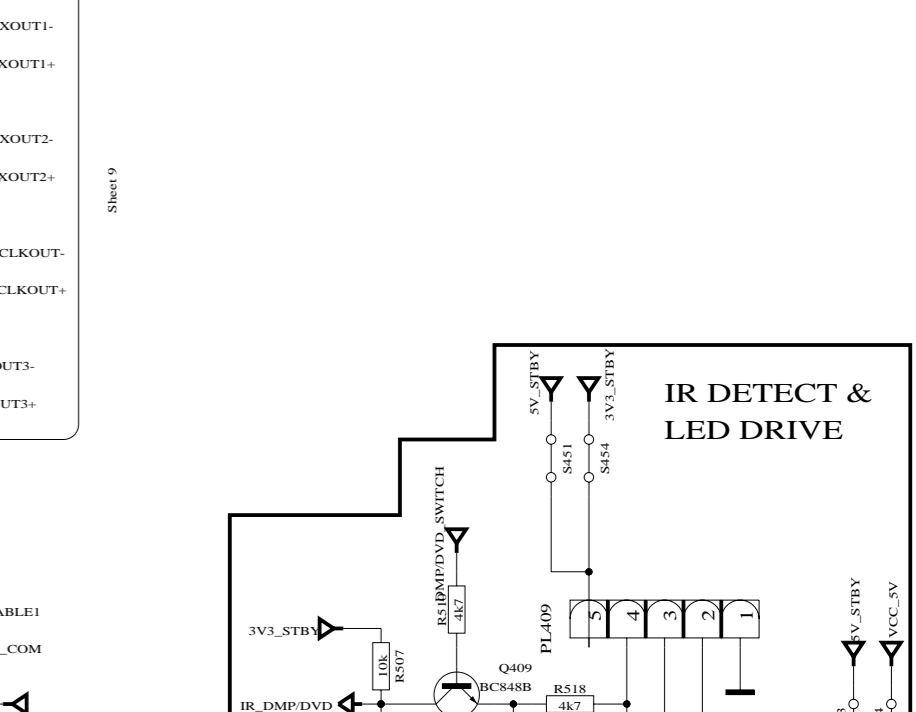
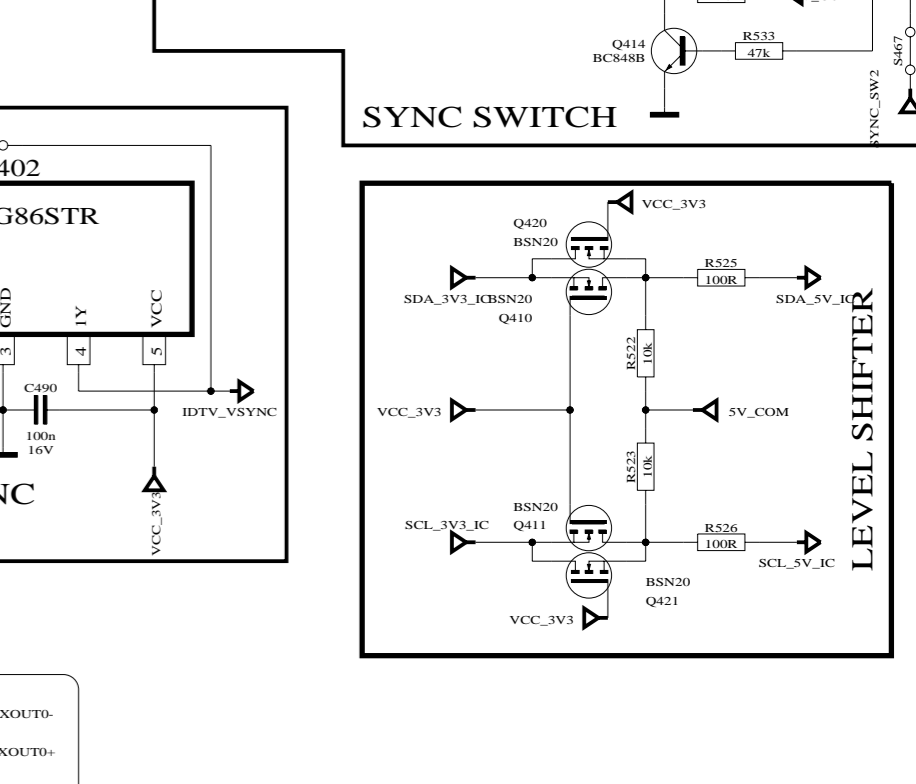
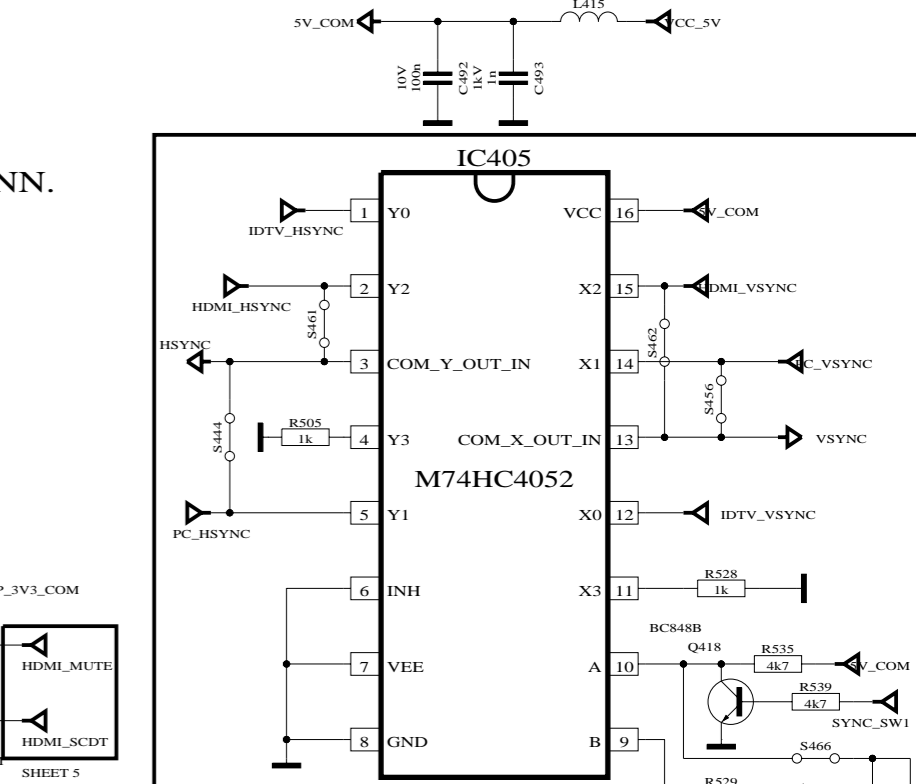
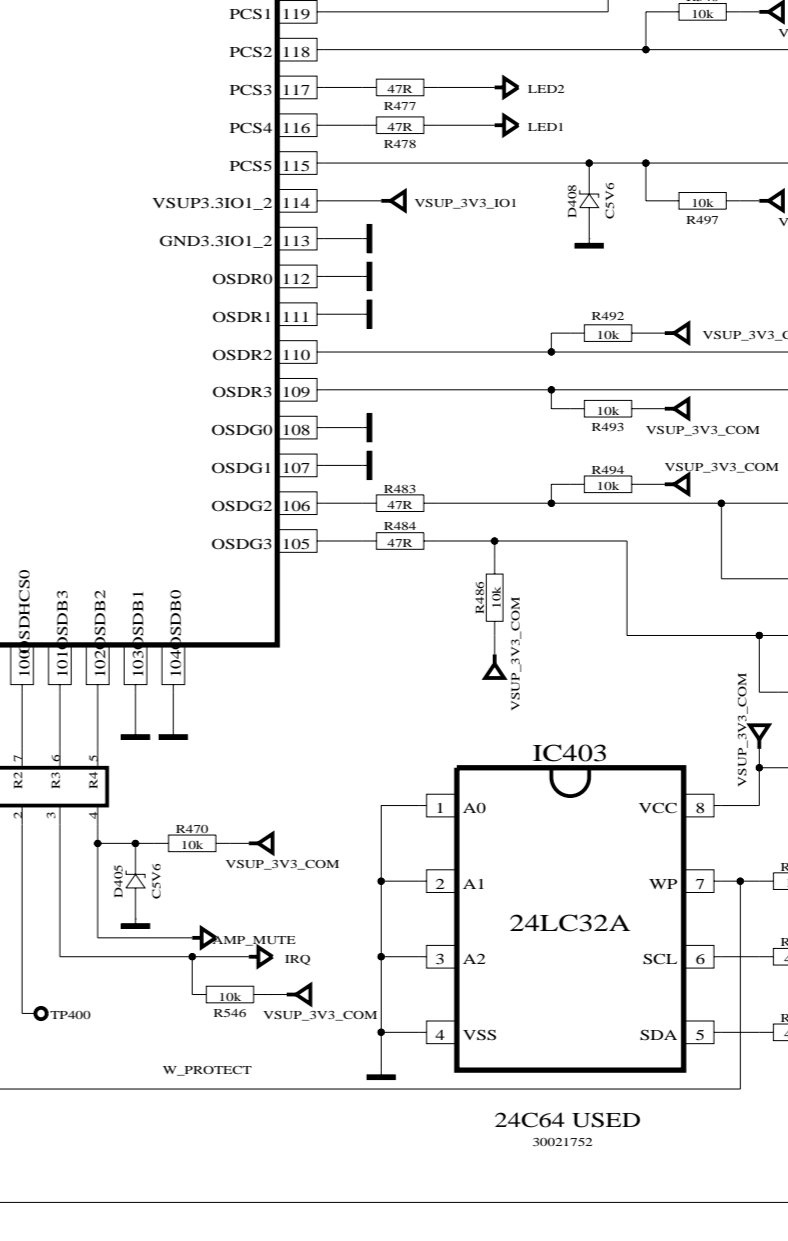
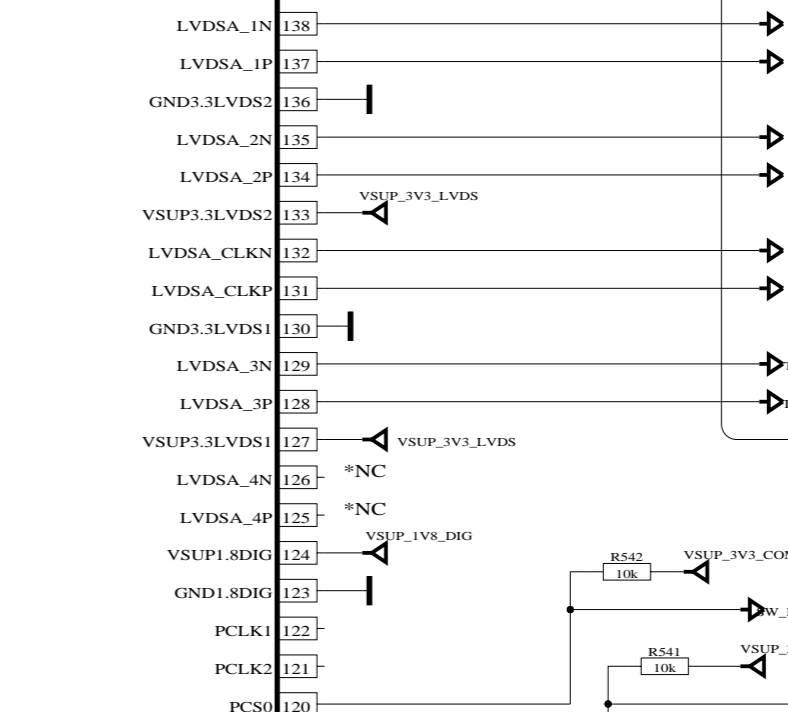
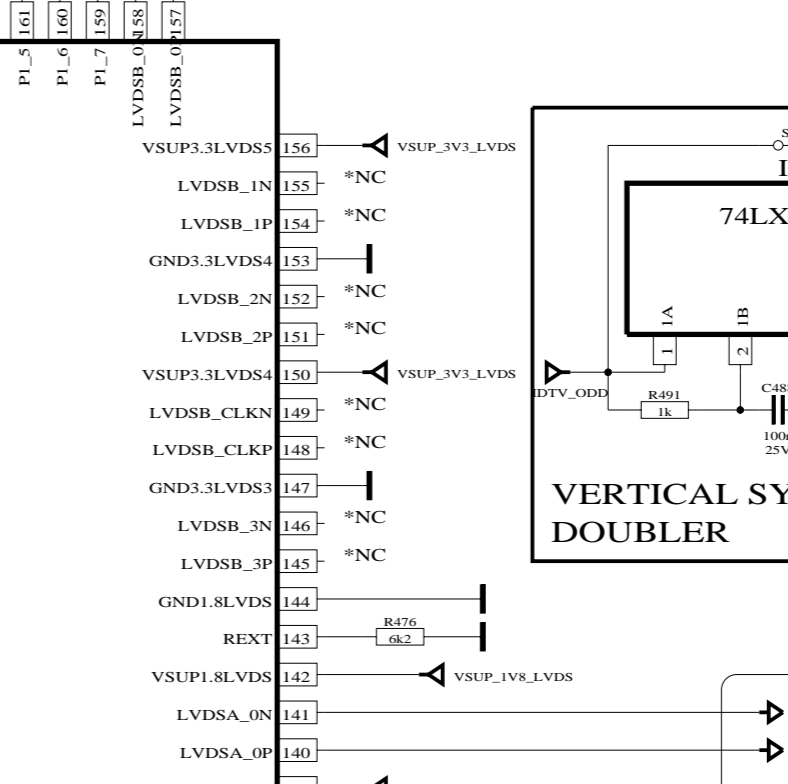
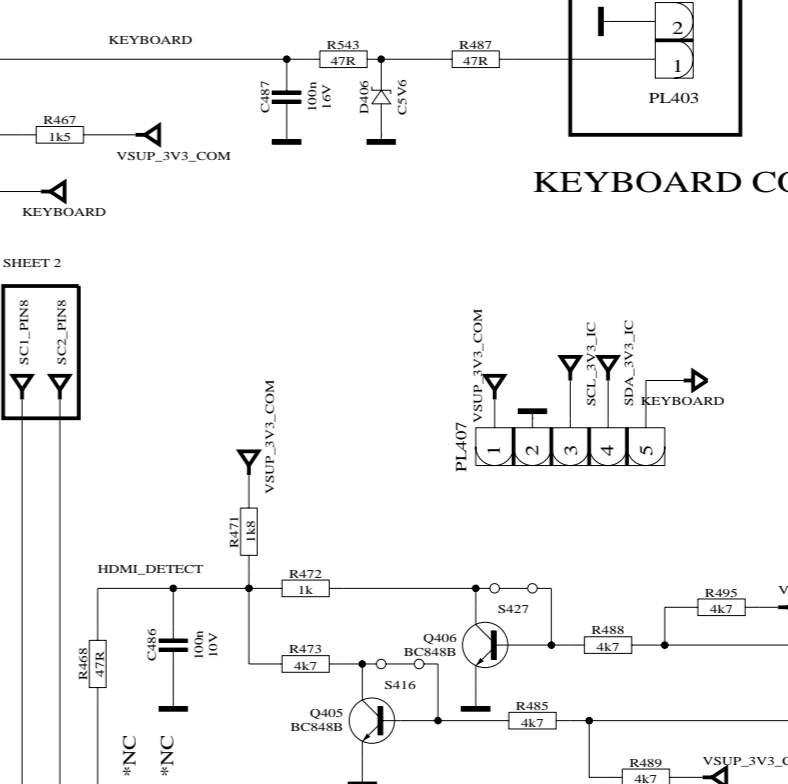
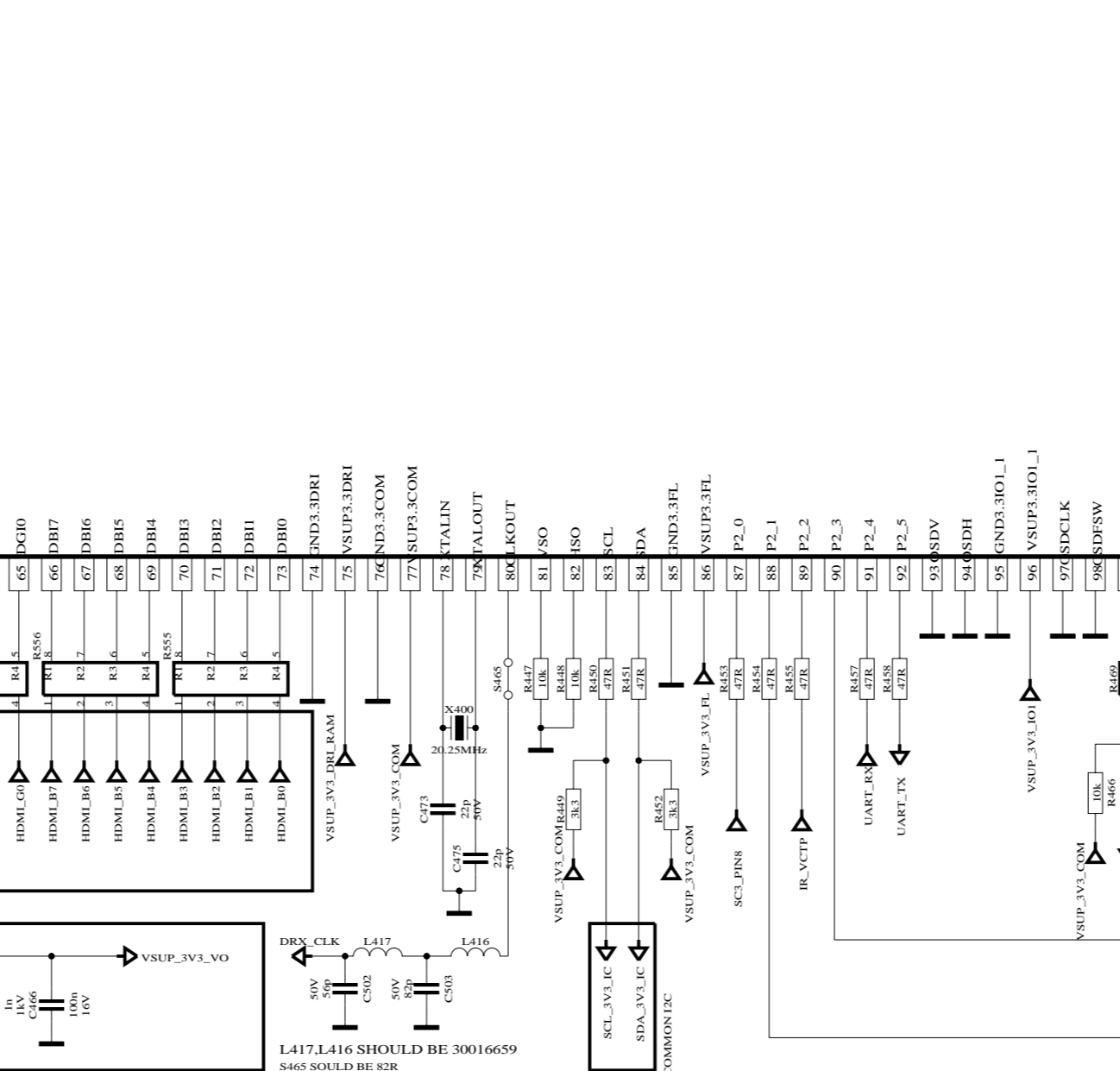
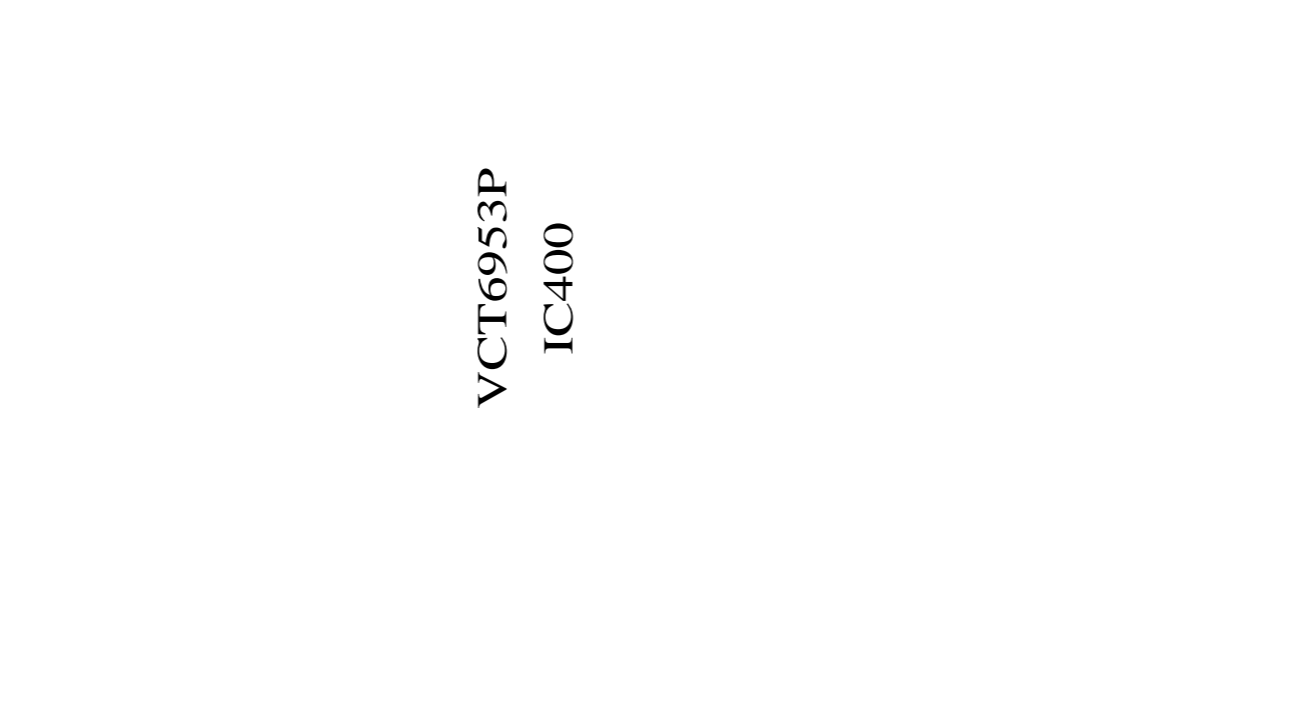
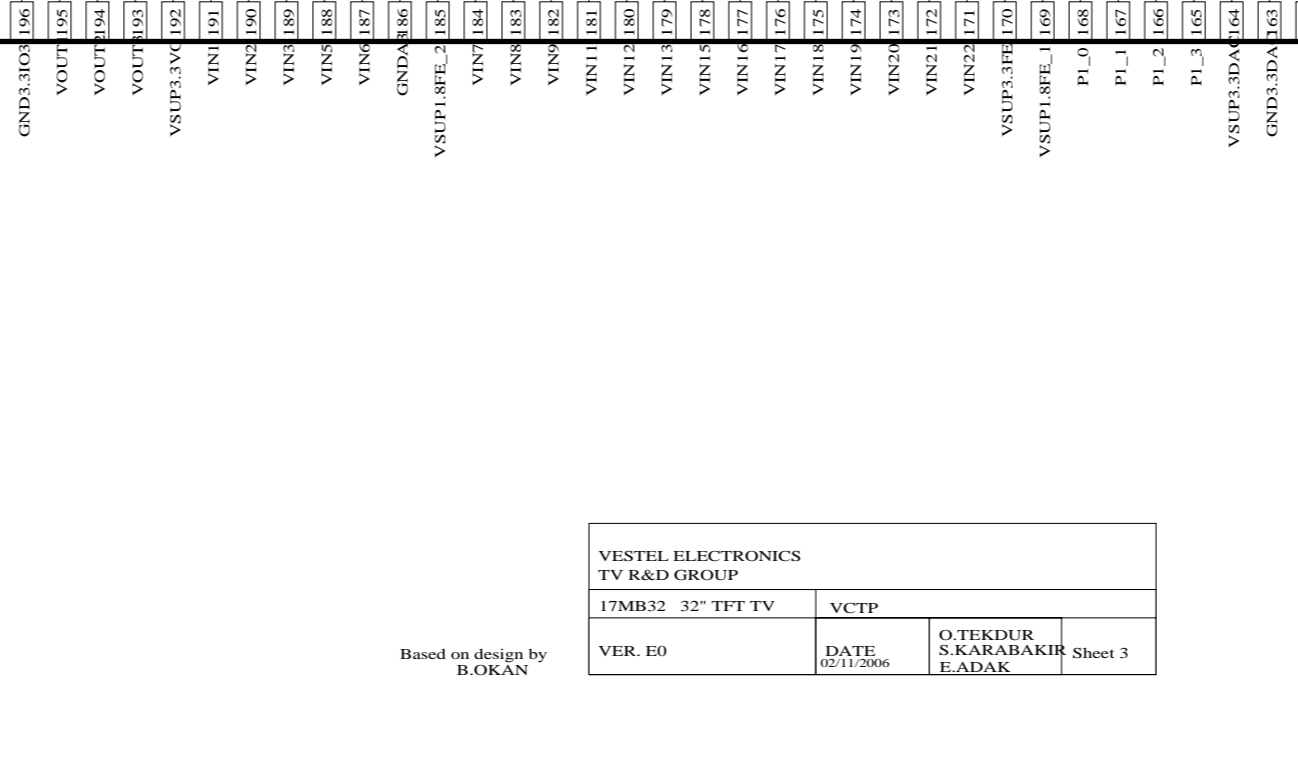
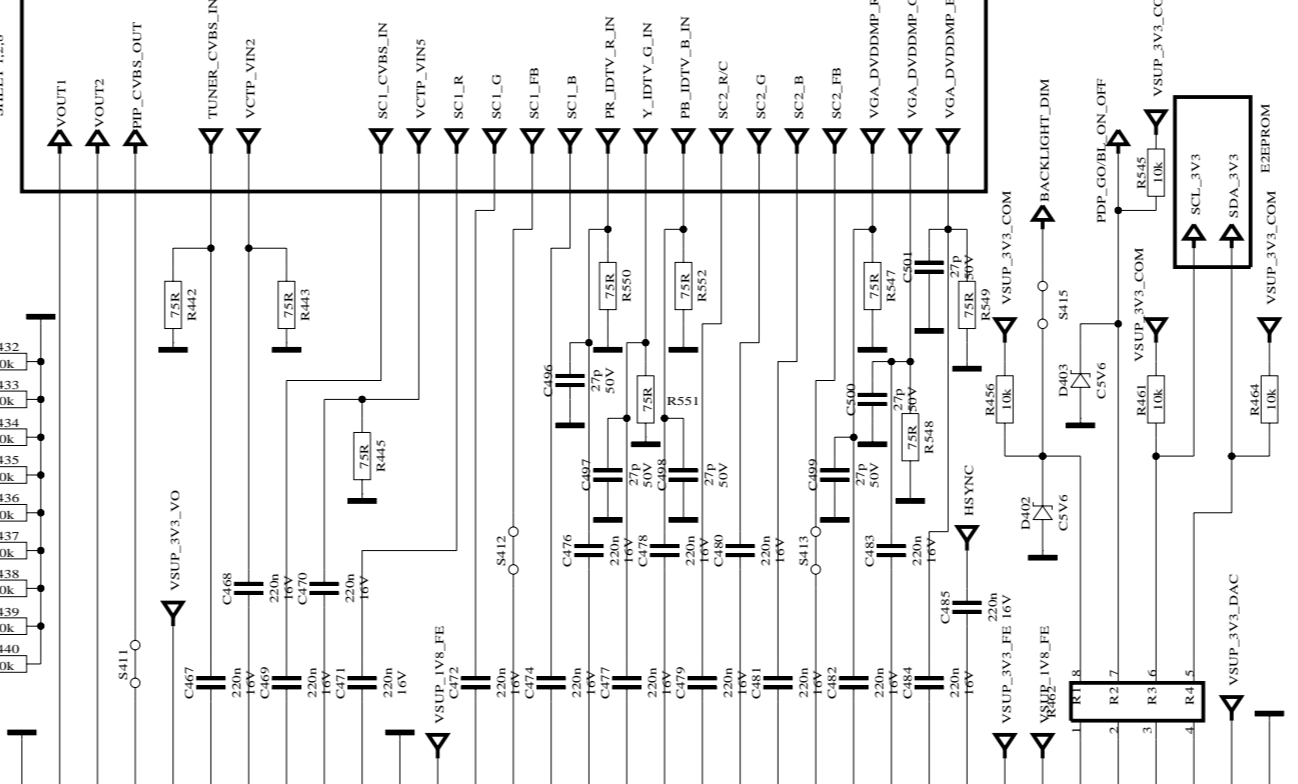
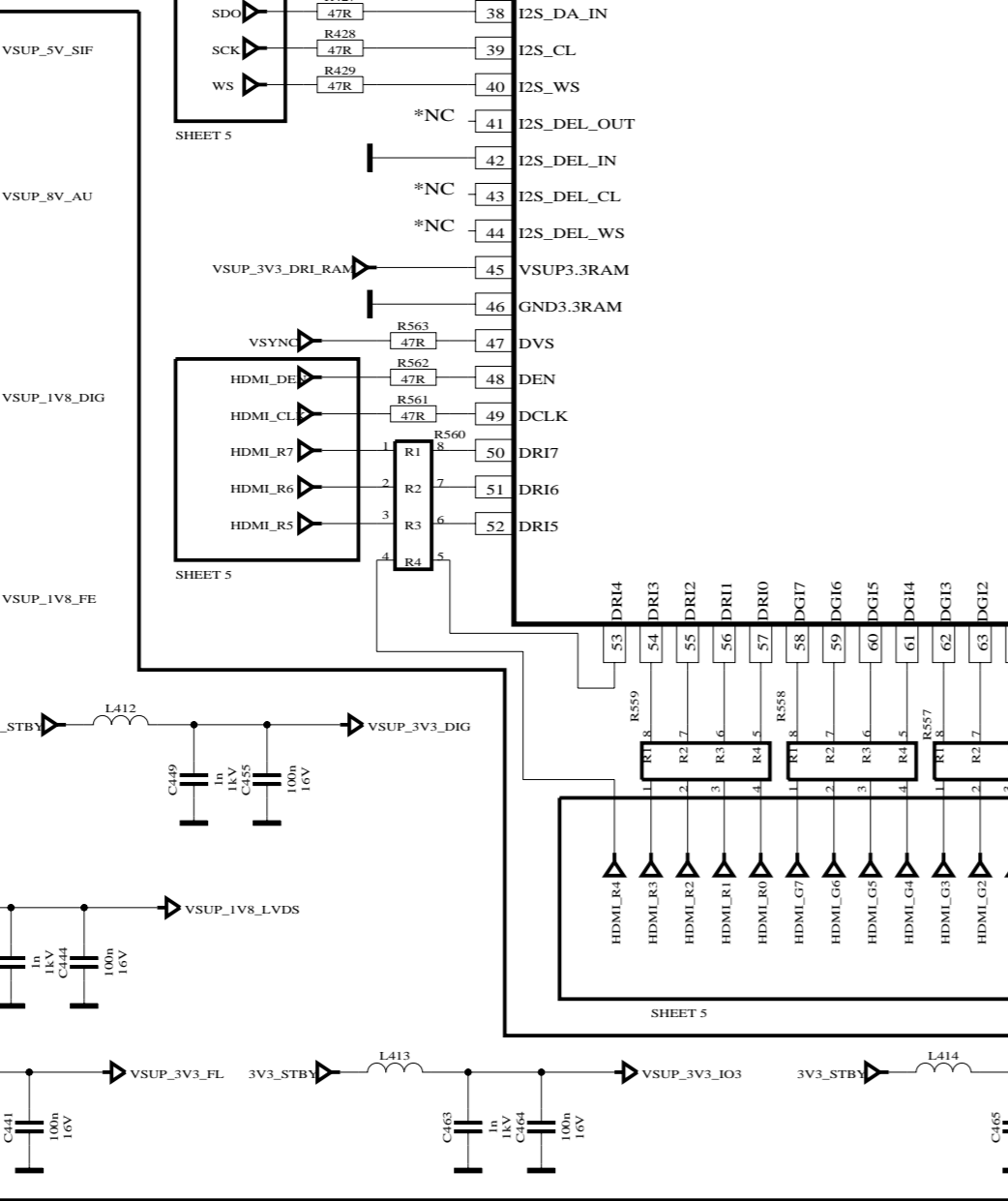
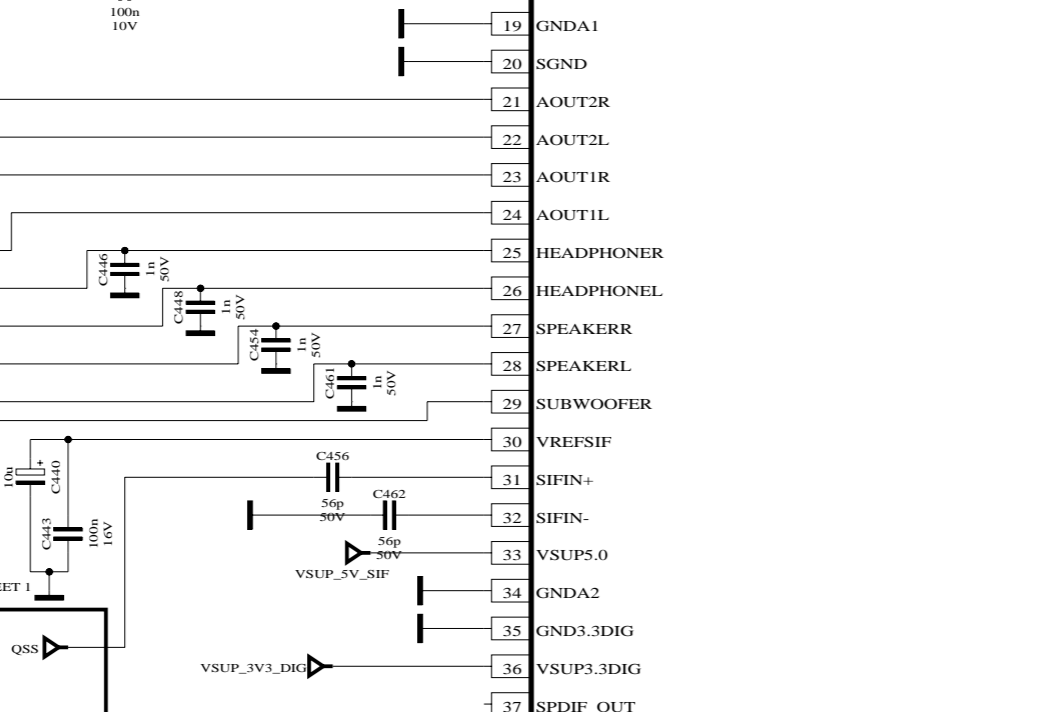
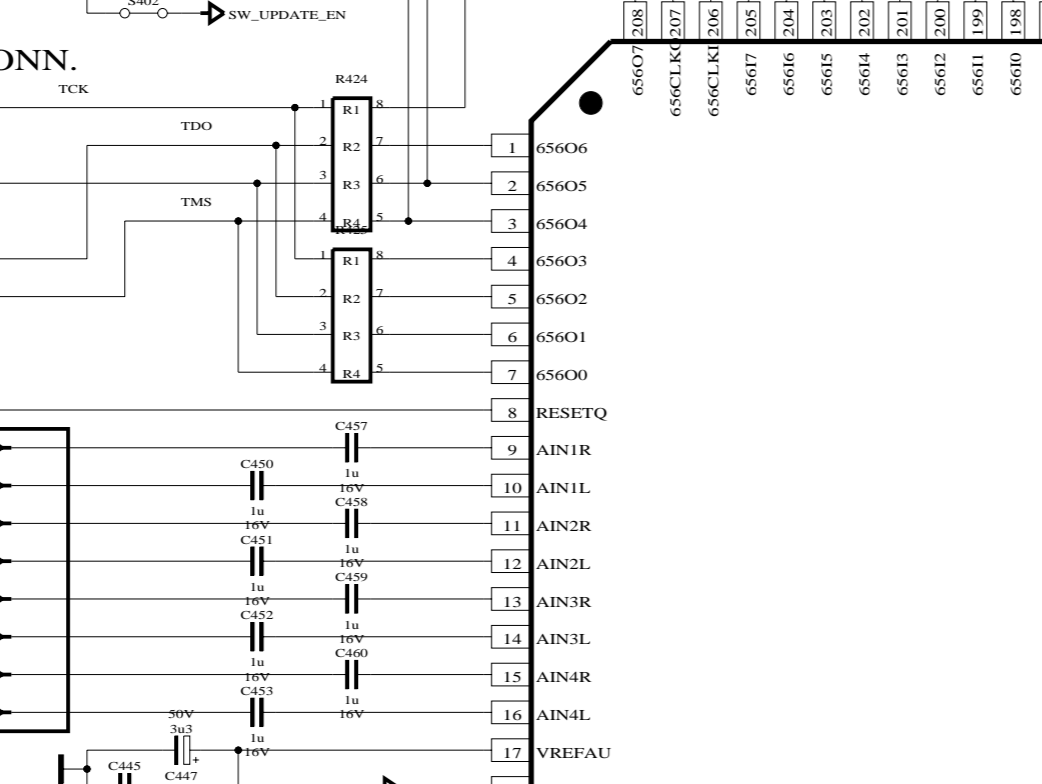
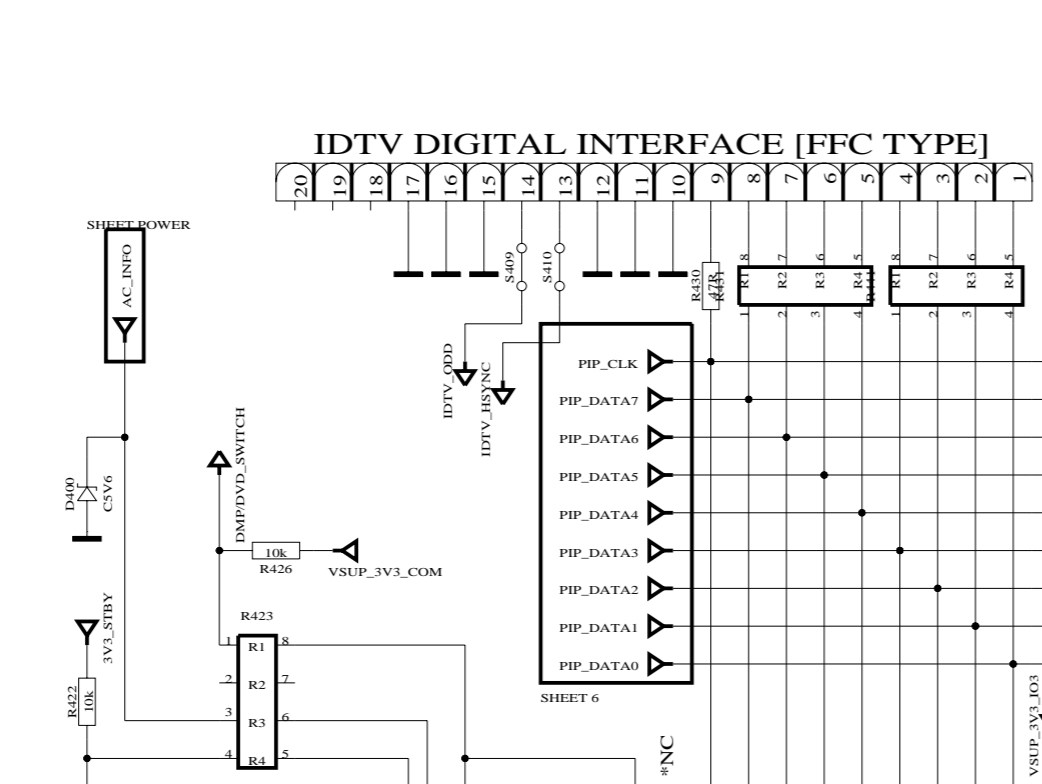
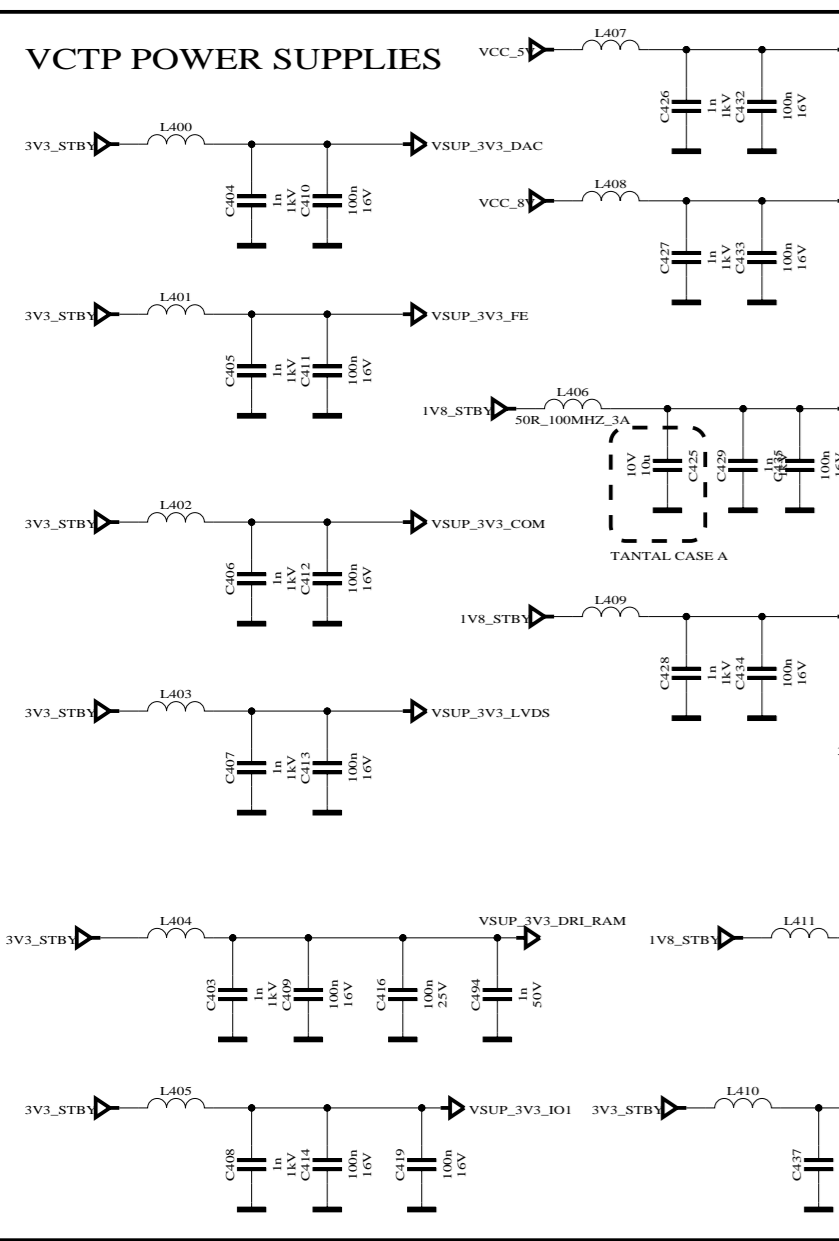
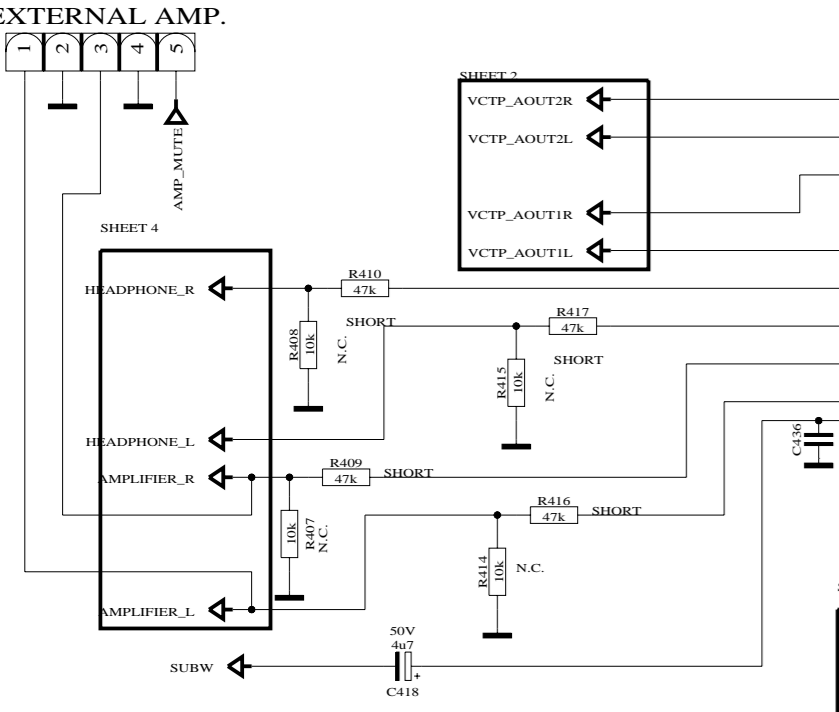
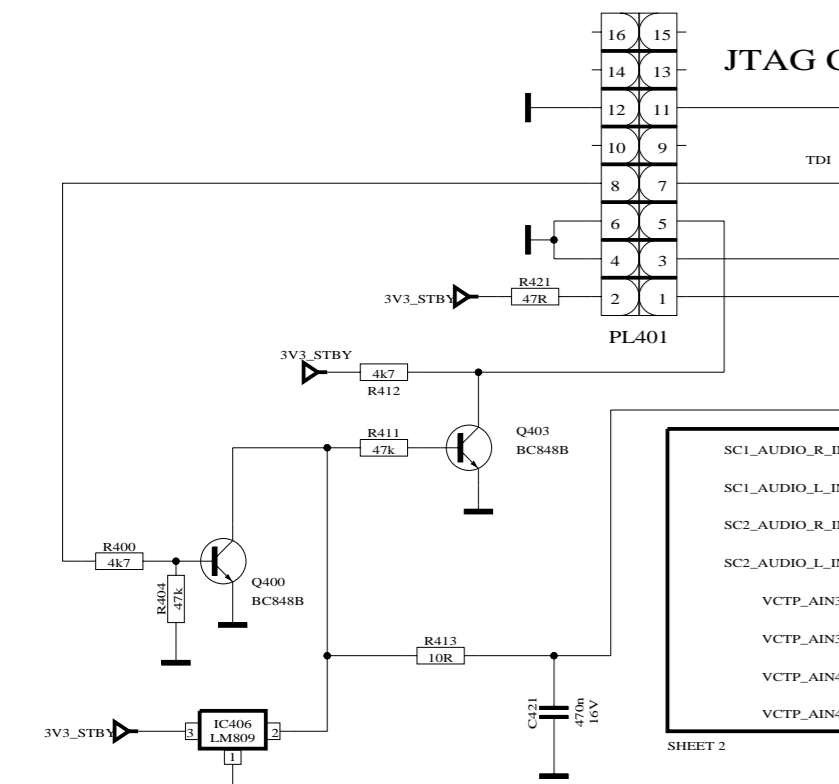
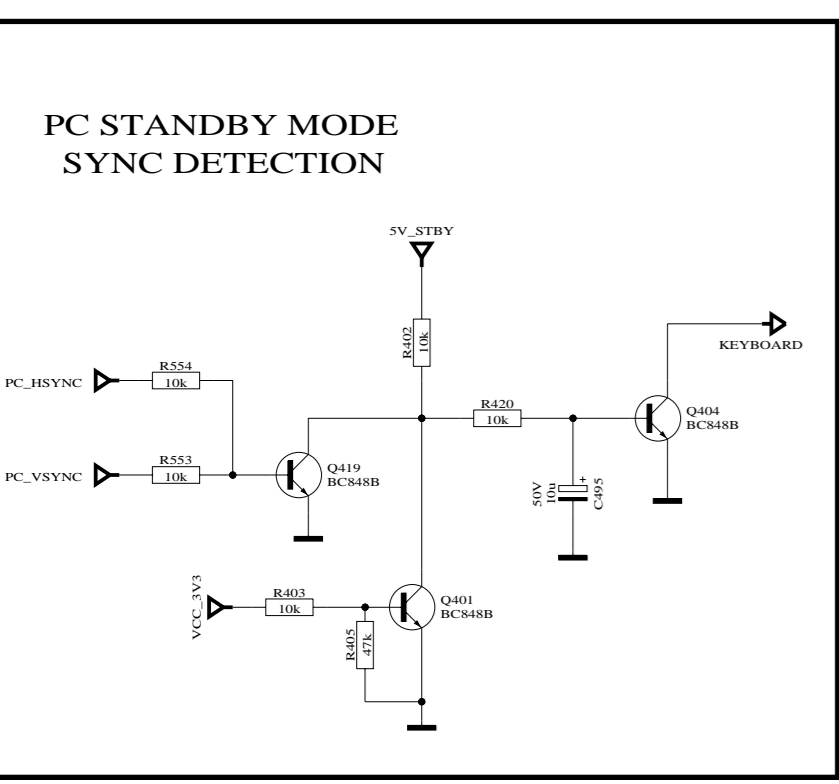
VESTEL ELECTRONICS TV R&D GROUP			
17MB32 32" TFT TV	TUNER + DRX DEMODULATOR		
VER. E0	DATE 02/11/2006	O.TEKDUR S.KARABAKIR E.ADAK	Sheet 1

Based on design by  
R.GOKALAN



Based on design by E.ARDALI

R316, R317 IS 22R  
IN CASE OF BACKHP OPT

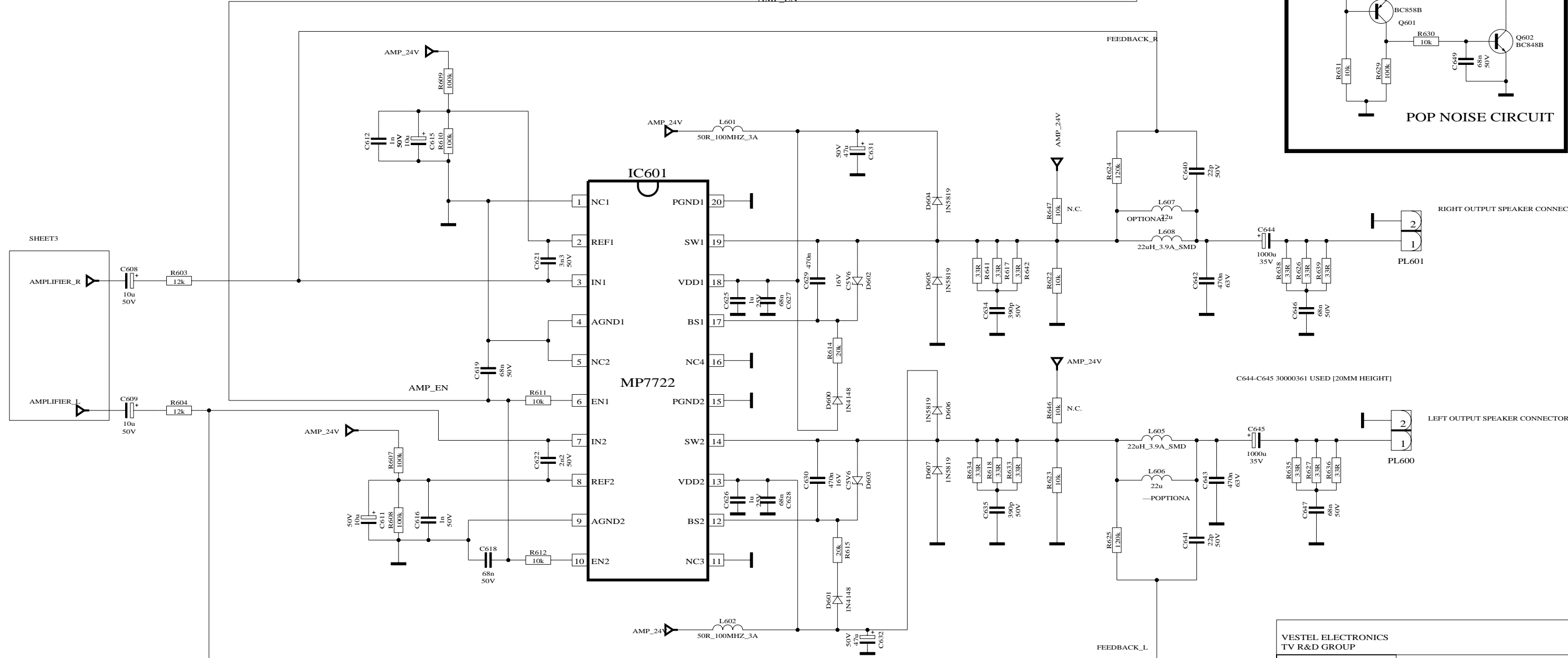
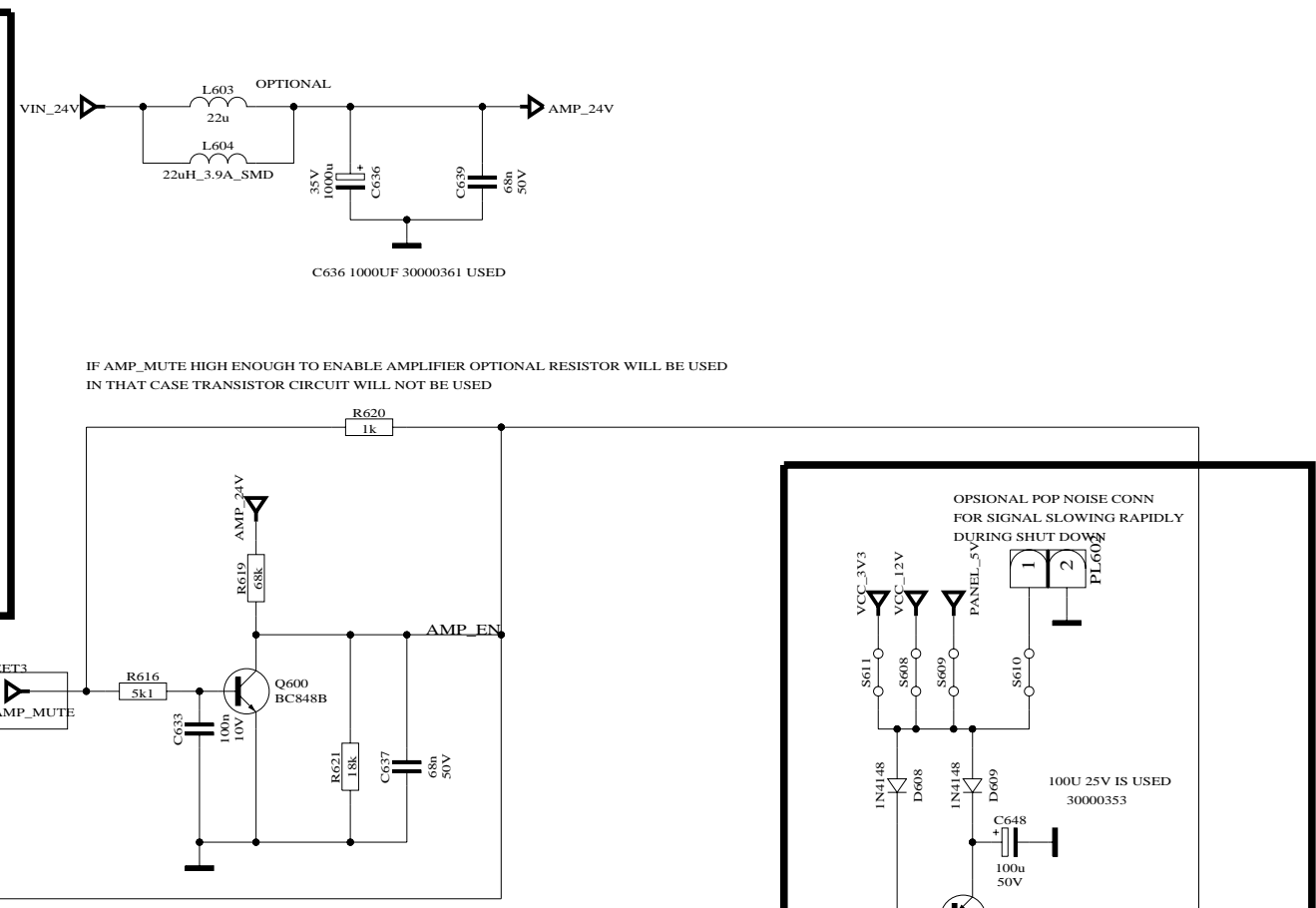
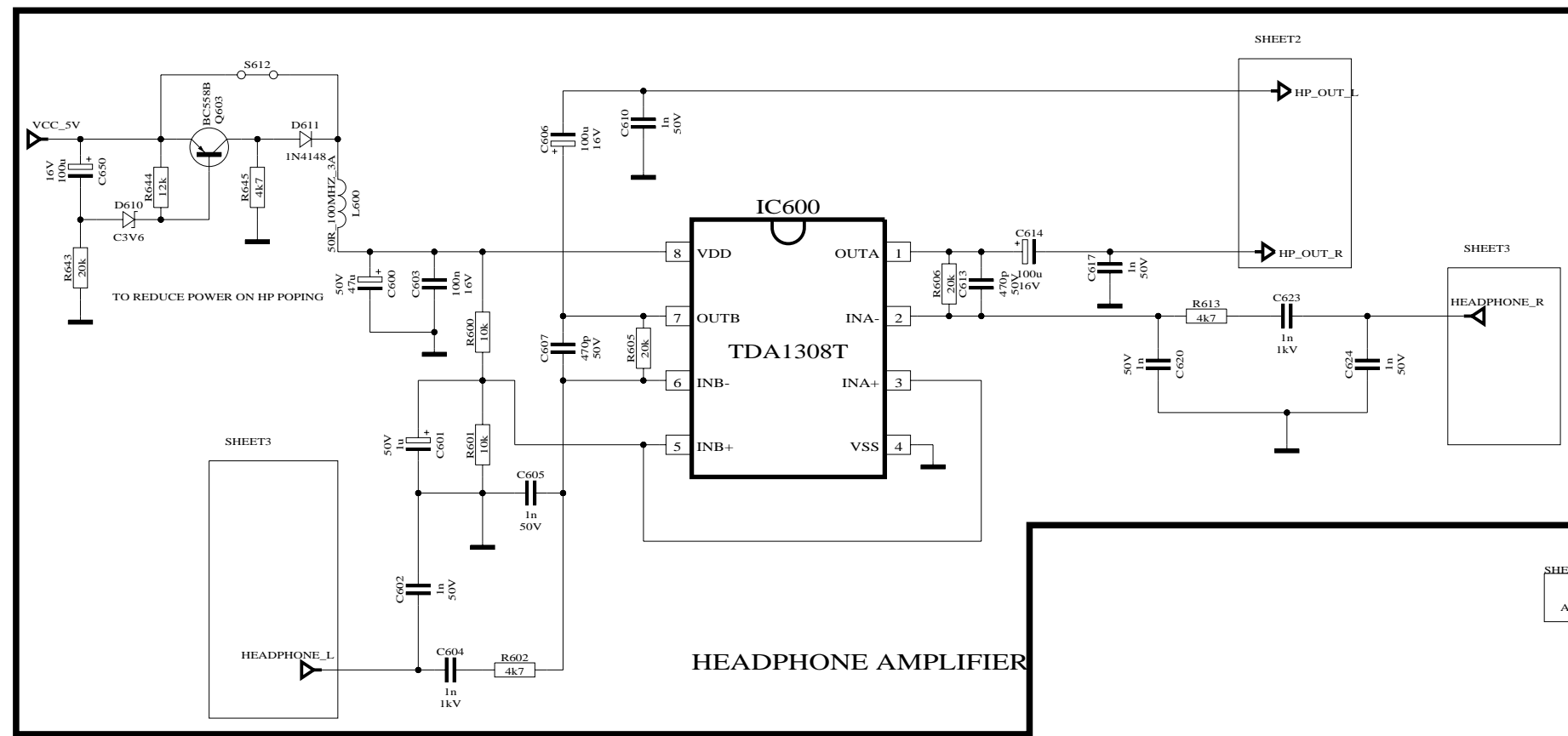


Based on design by BOKAN

VESTEL ELECTRONICS TV R&D GROUP		VCTP	
VER. E0	DATE 02/11/2006	O.TEKDUR S.KARABAKIR	Sheet 3
		E.ADAK	

VCT6953P  
IC400

L417,L416 SHOULD BE 3001659  
S465 SHOULD BE 82R

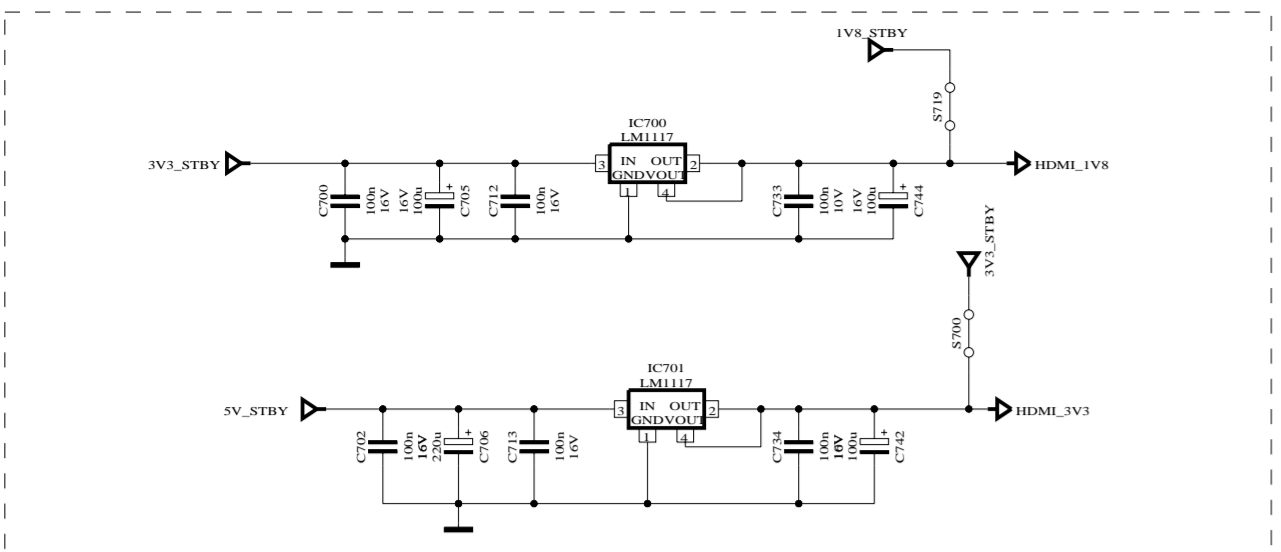


C625, C626 IS USED 30046152 1U 50V 805

Based on design by R.GOKALAN

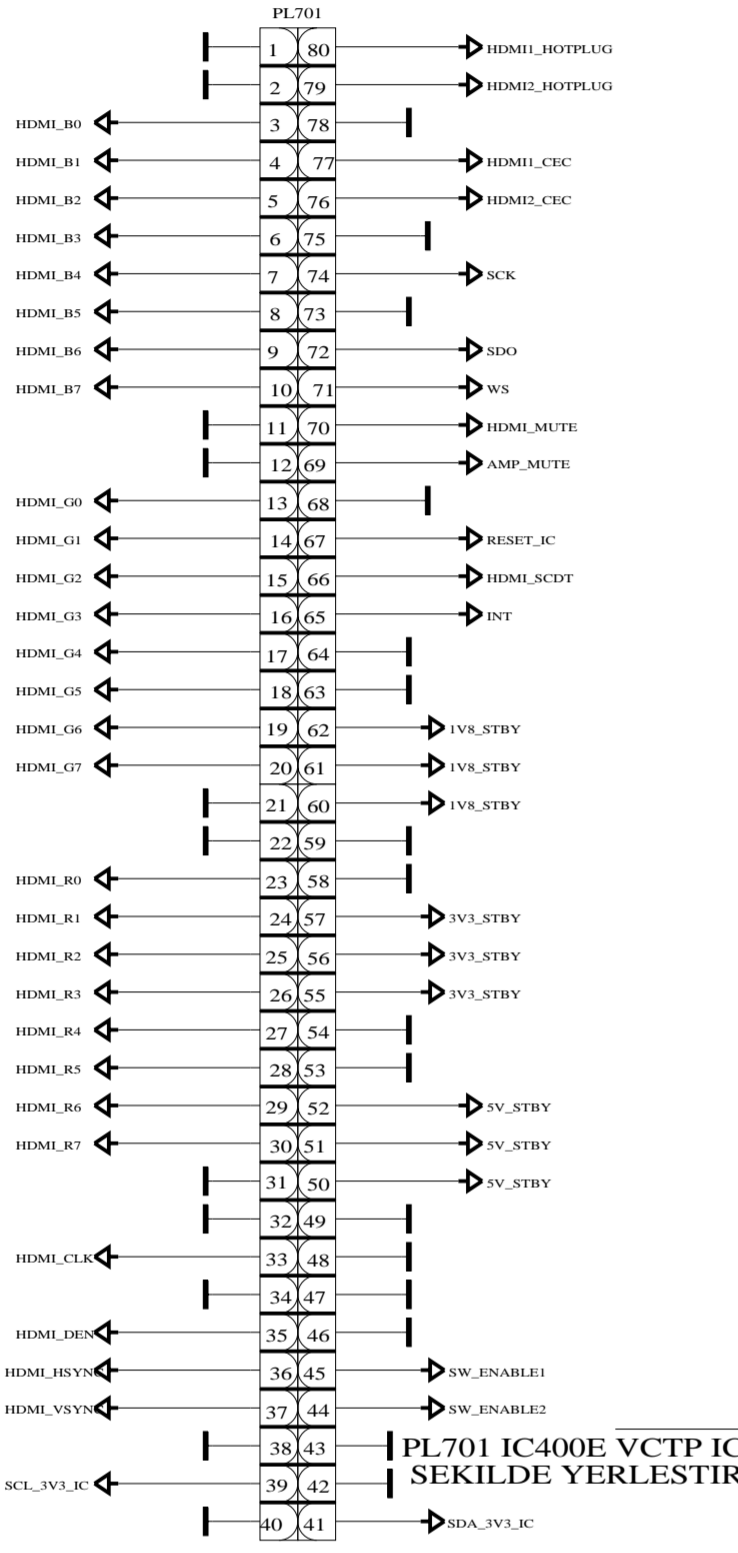
VESTEL ELECTRONICS TV R&D GROUP		SPEAKER-HEADPHONE AMPLIFIER	
17MB32 32" TFT TV	VER. E0	DATE 02/11/2006	O.TEKDUR S.KARABAKIR E.ADAK

Sheet 4

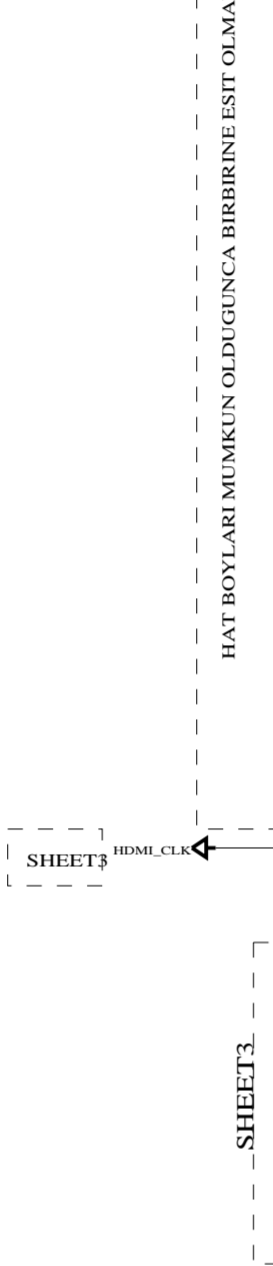


REGULATORLER COK IYI SOGUTULMALIDIR.  
PCB NIN ALTINA VE USTUNE GENIS SOLDER PAD LER KONULMALIDIR.

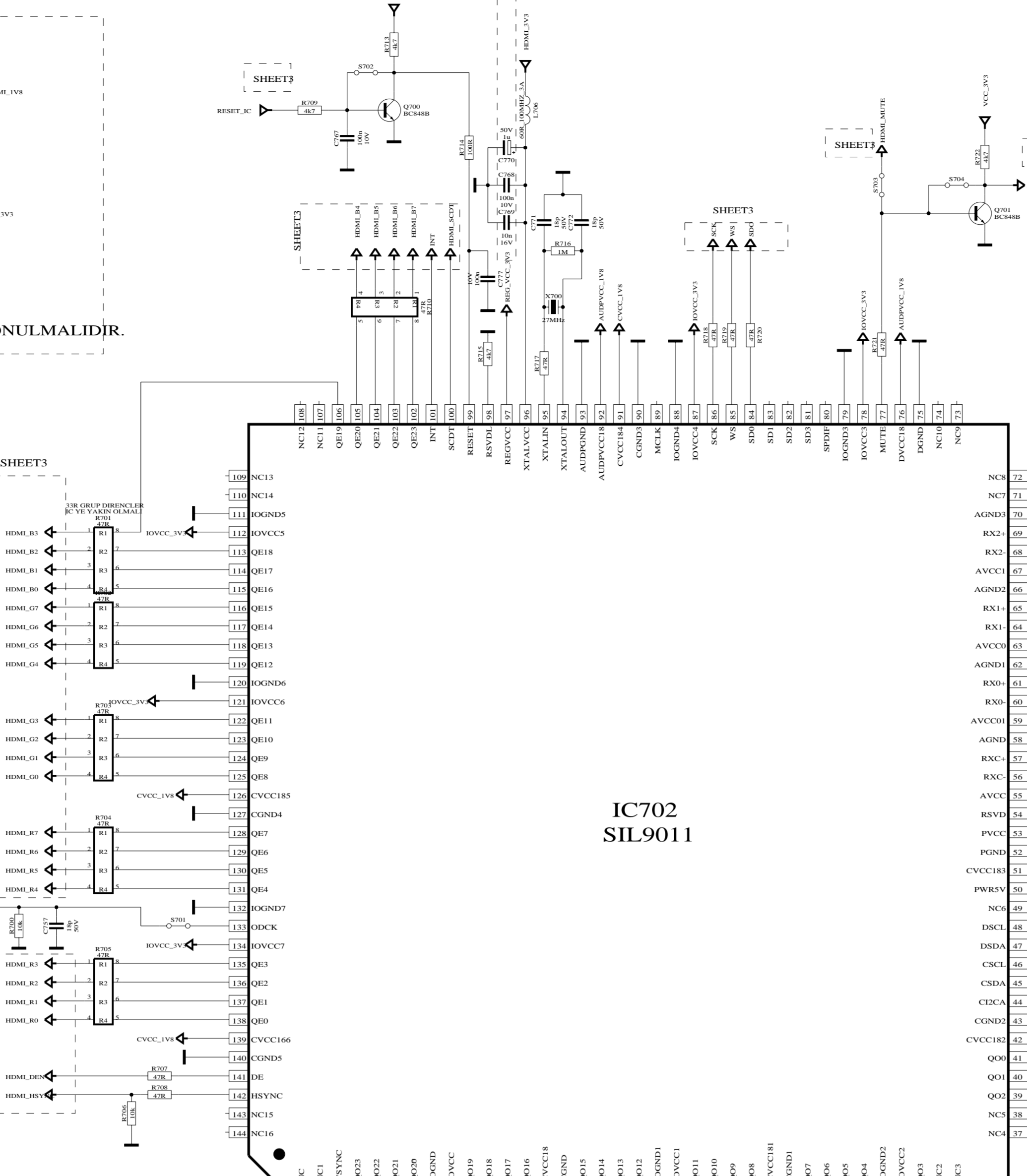
SIL9023 LU DAUGHTER BOARD TAKILMASI  
DURUMUNDA TAKILACAK KONNEKTOR



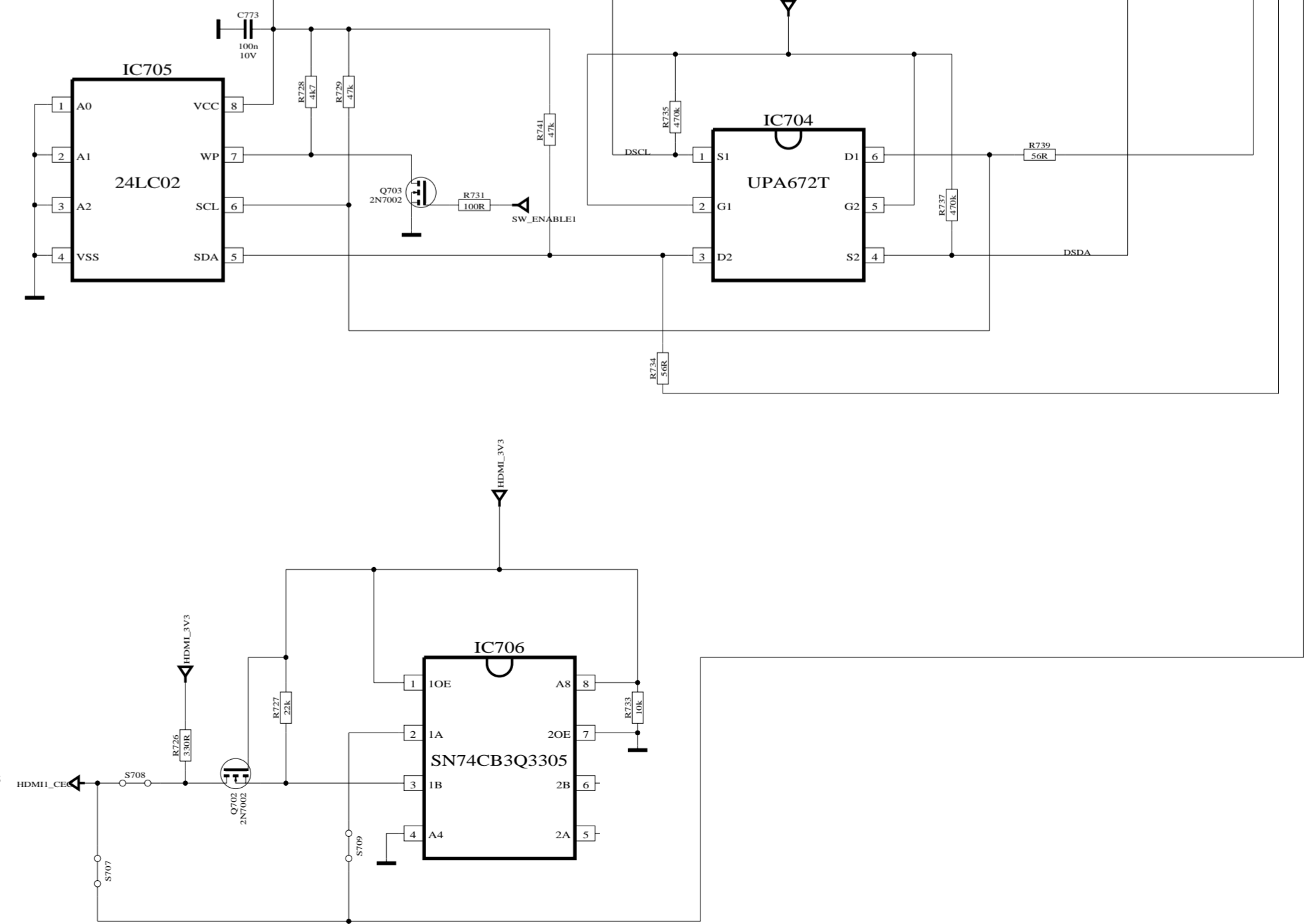
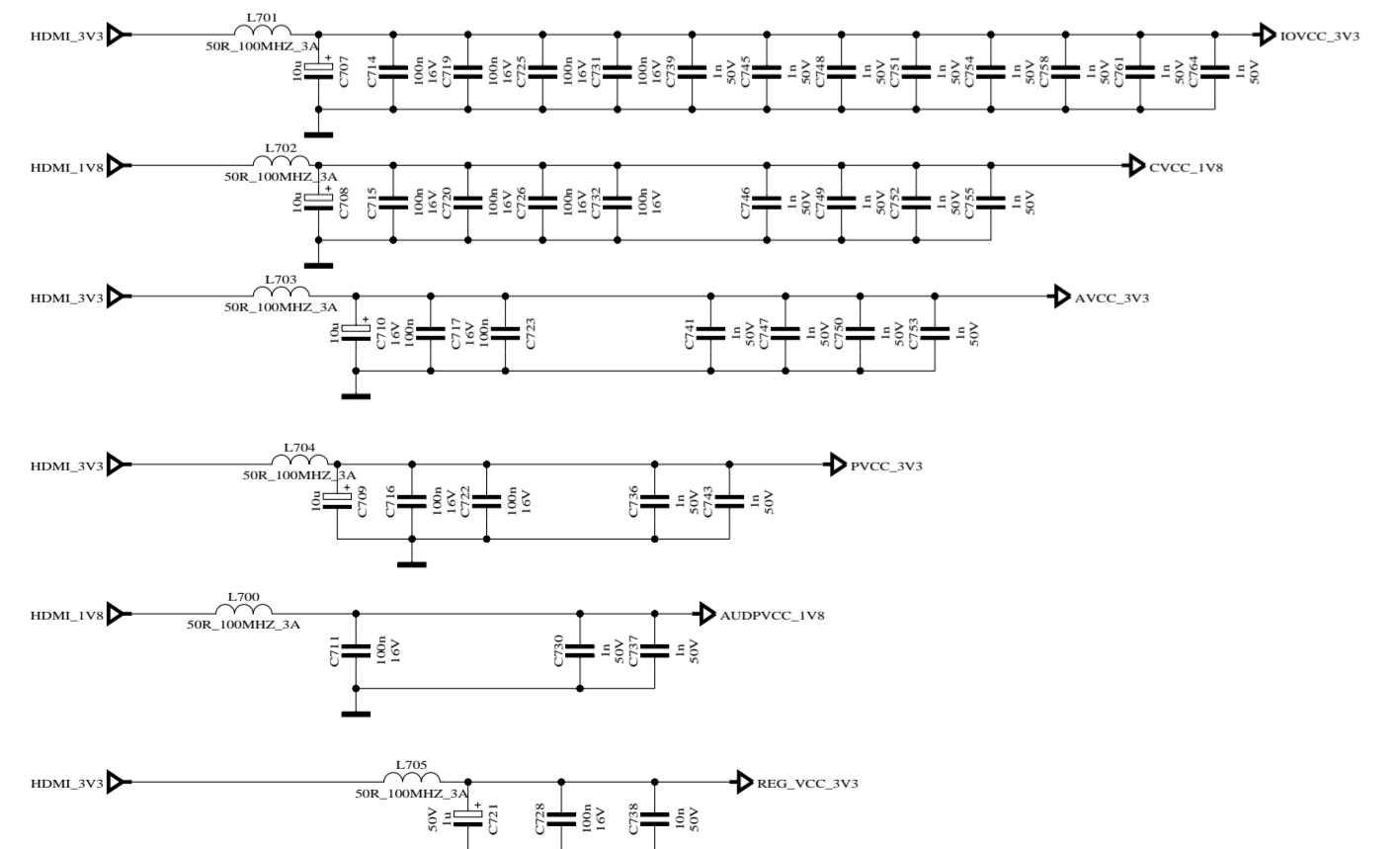
HAT BOYLARI MUMKUN OLDUGUNCA BIRBIRINE EST OLMALI



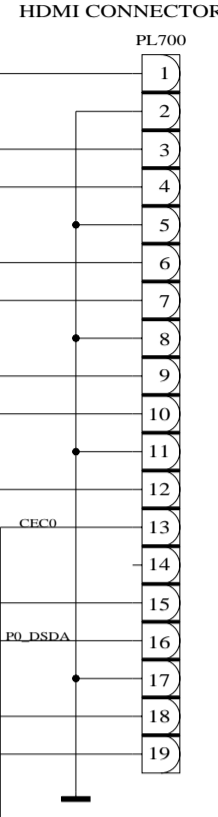
IC702  
SIL9011

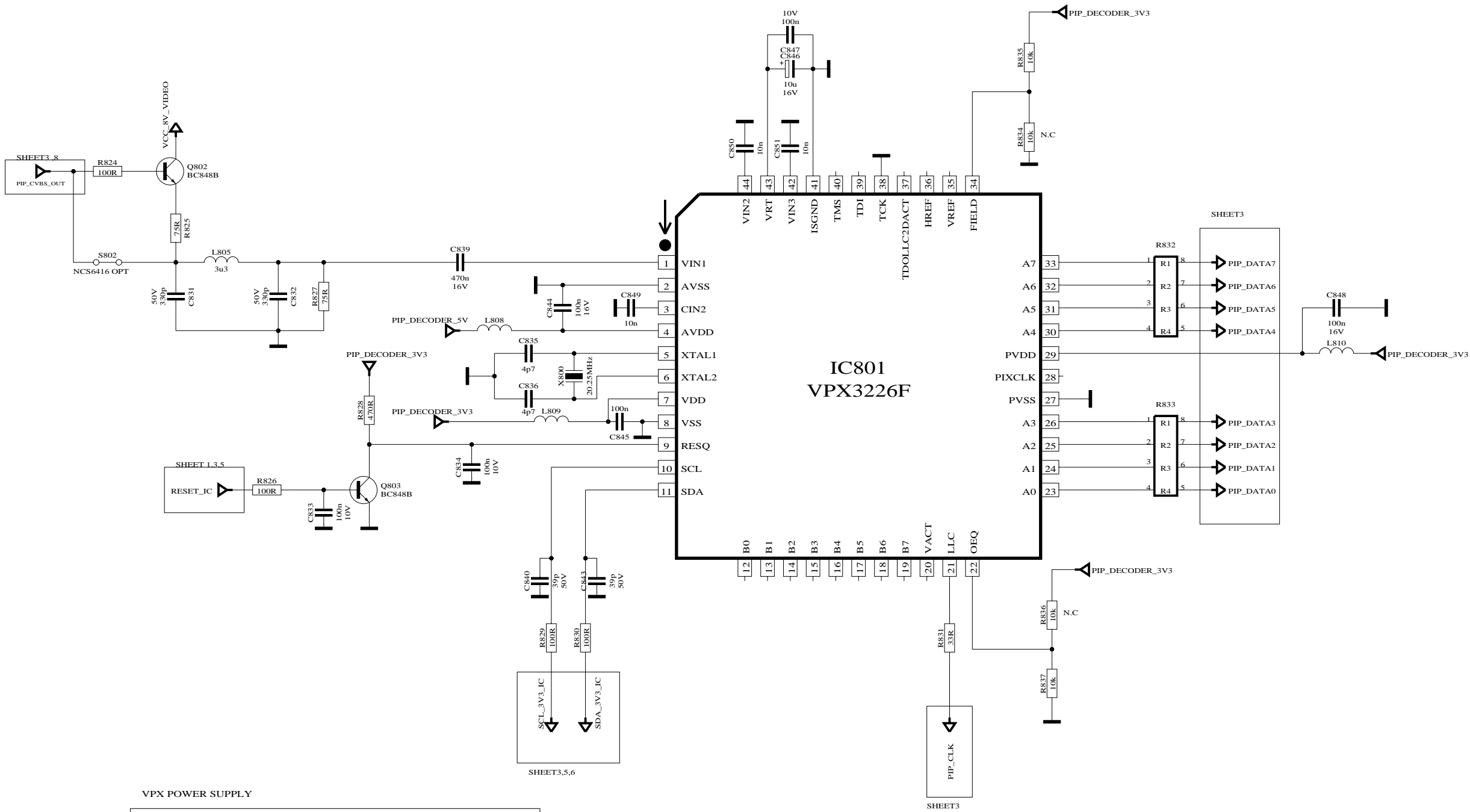


DECOUPLING VE BYPASS KAPASITELERI  
PINLERE MUMKUN OLDUGUNCA YAKIN OLMALIDIR!

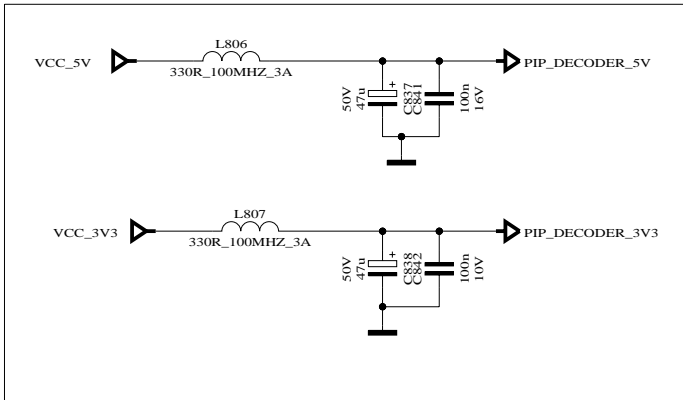


TMSD HATLARININ BOYLARI KISA OLMALI,  
YOLLAR DUZ OLMALI  
PAIRLER BIRBIRLERINE MUMKUN OLDUGUNCA YAKIN OLMALI



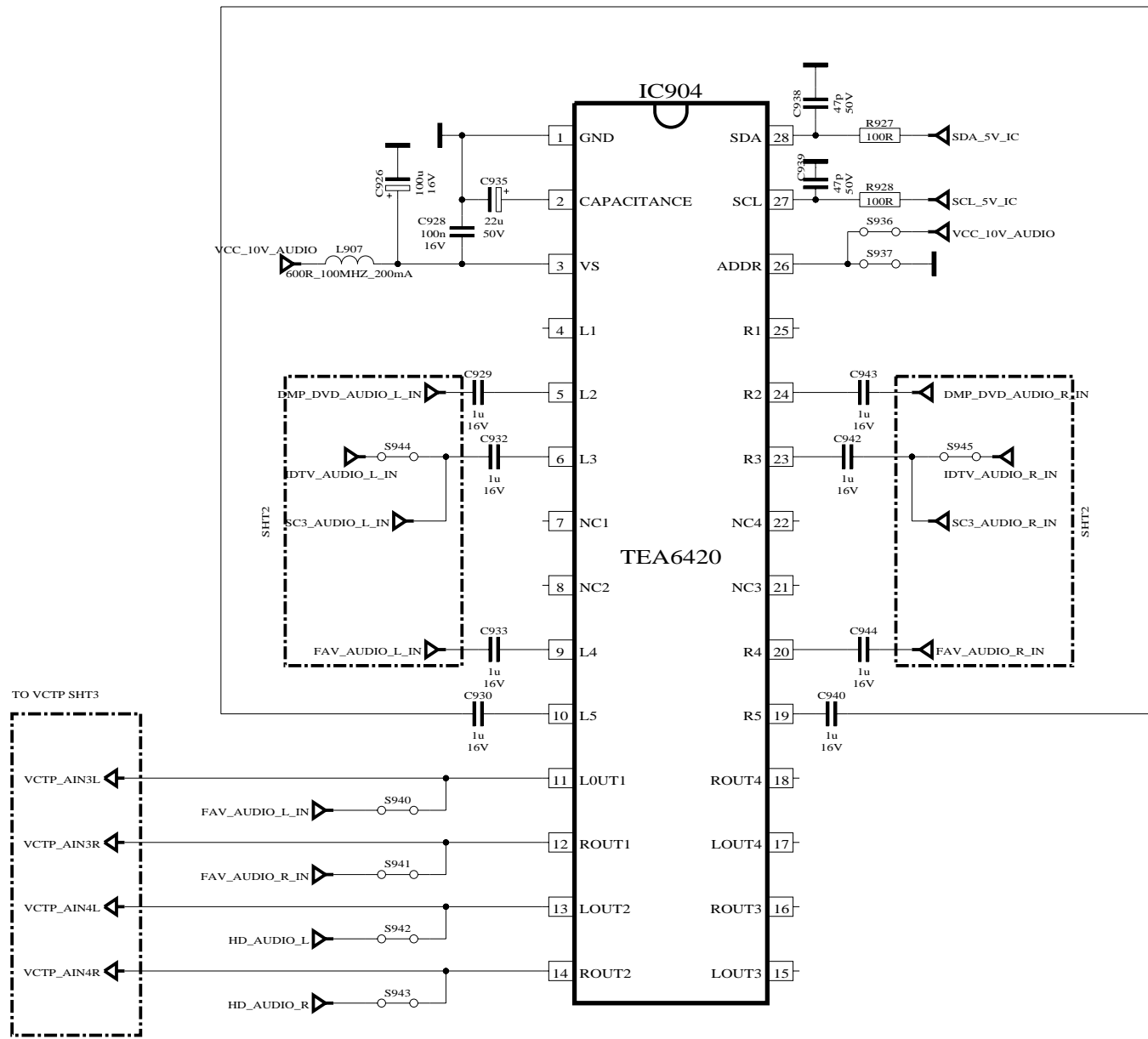
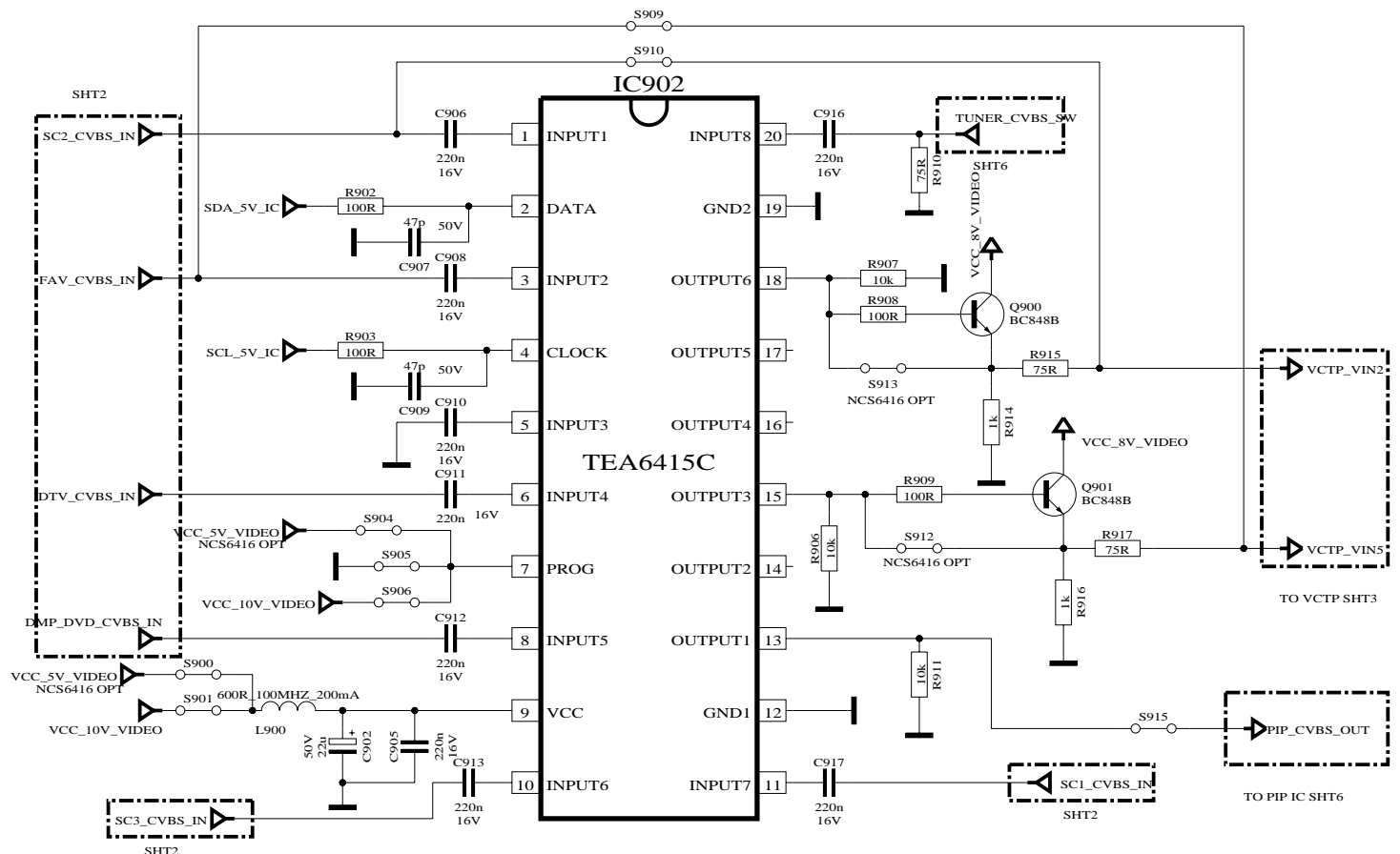
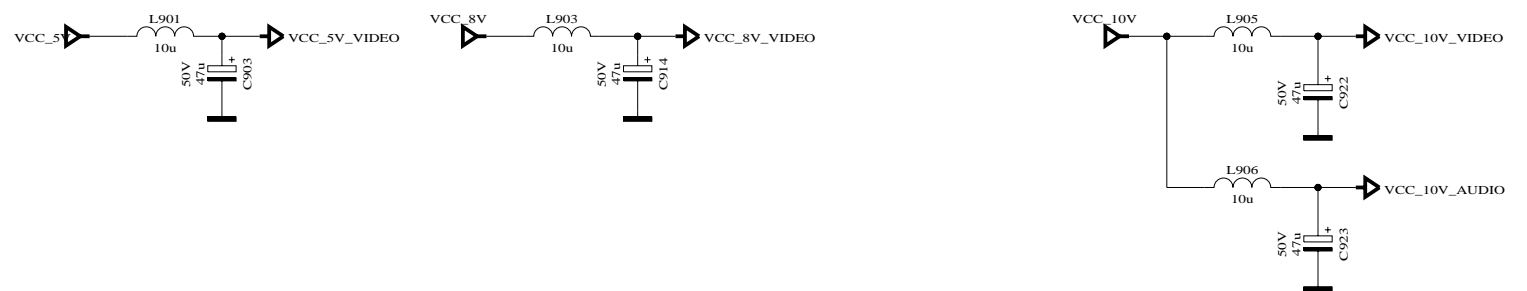
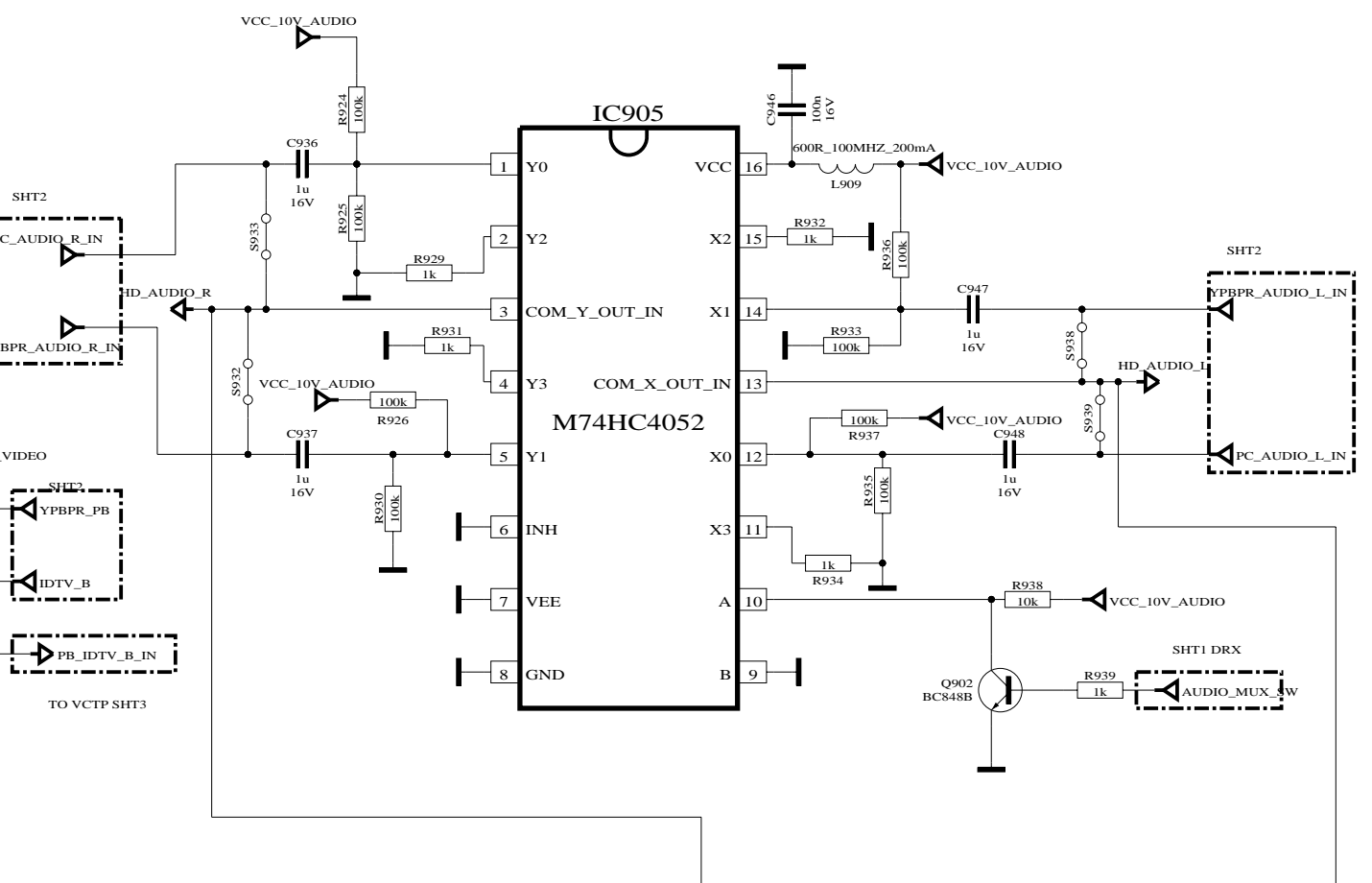
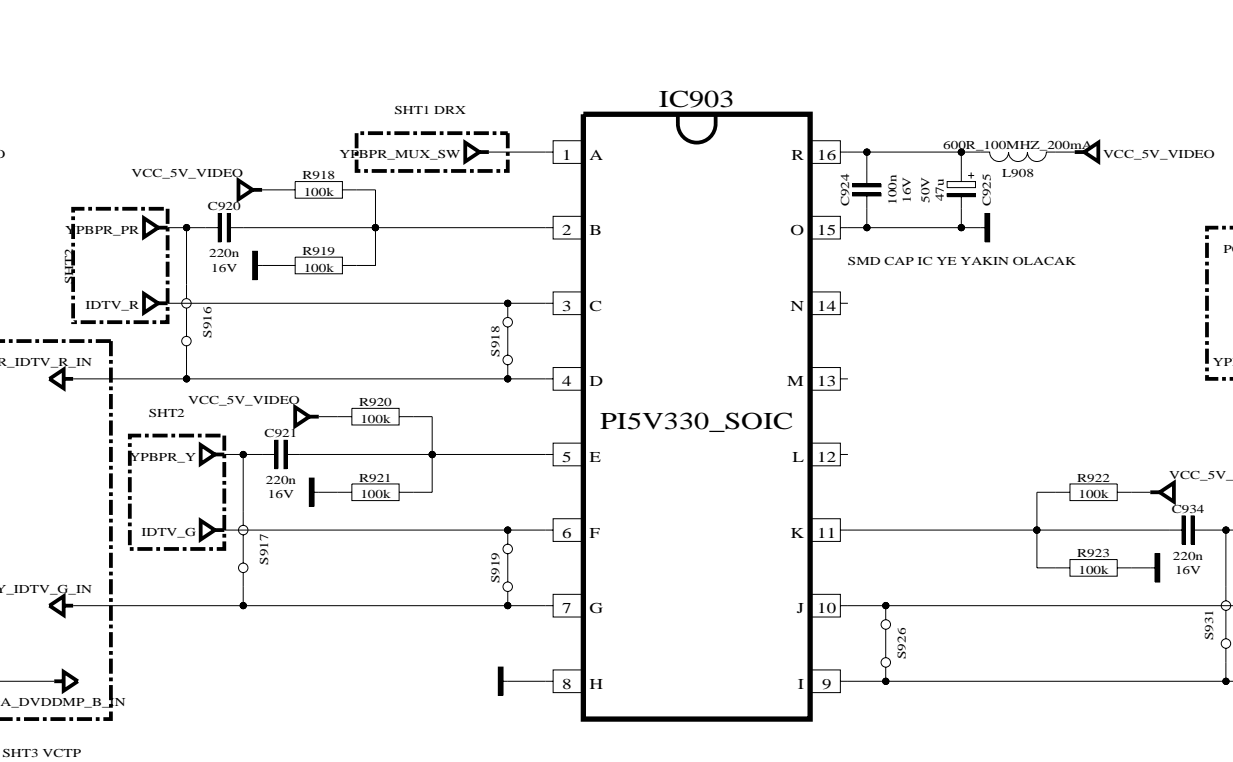
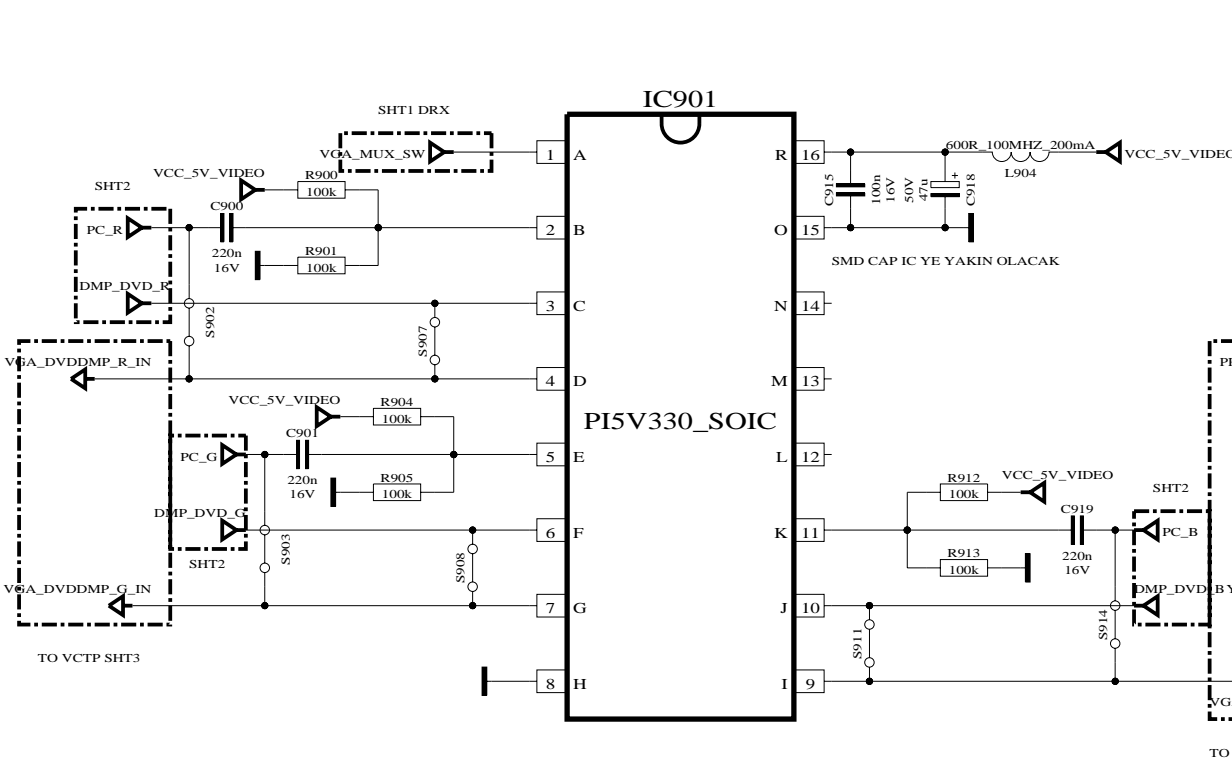


VPX POWER SUPPLY

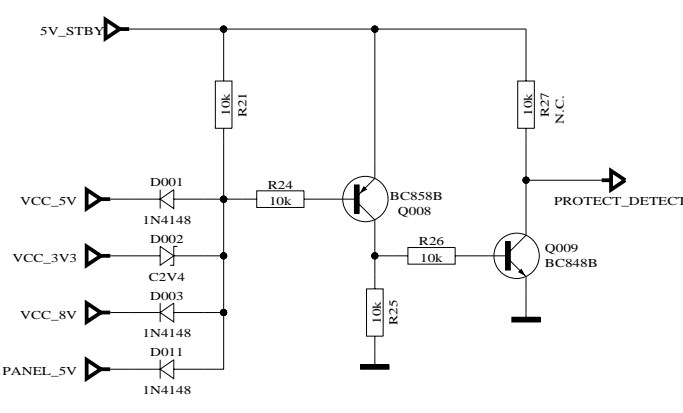
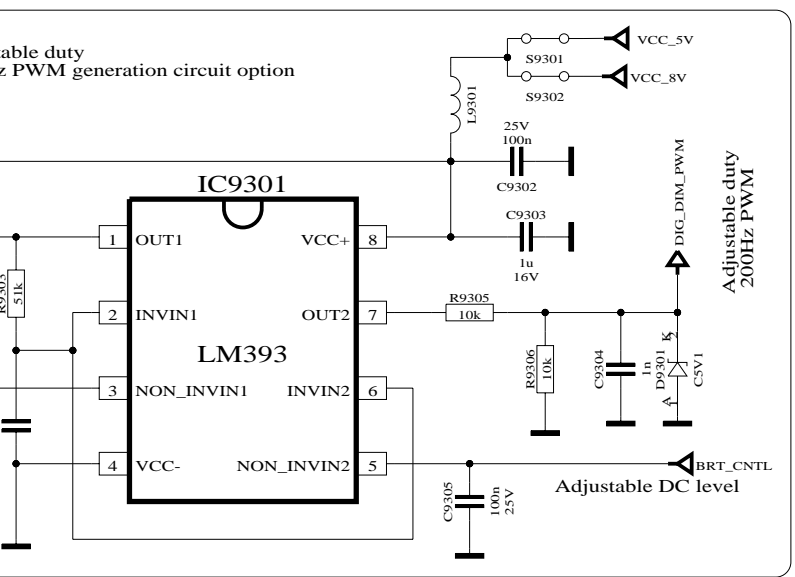
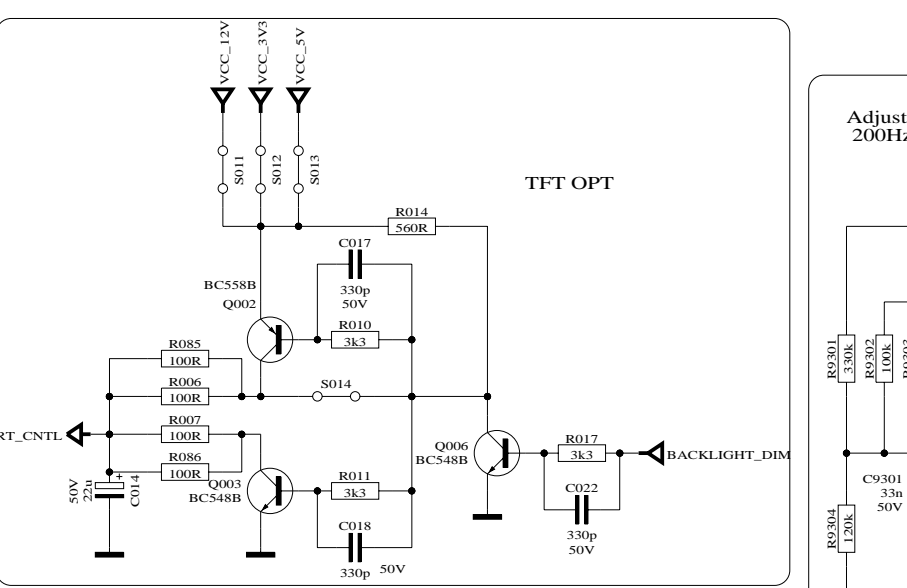
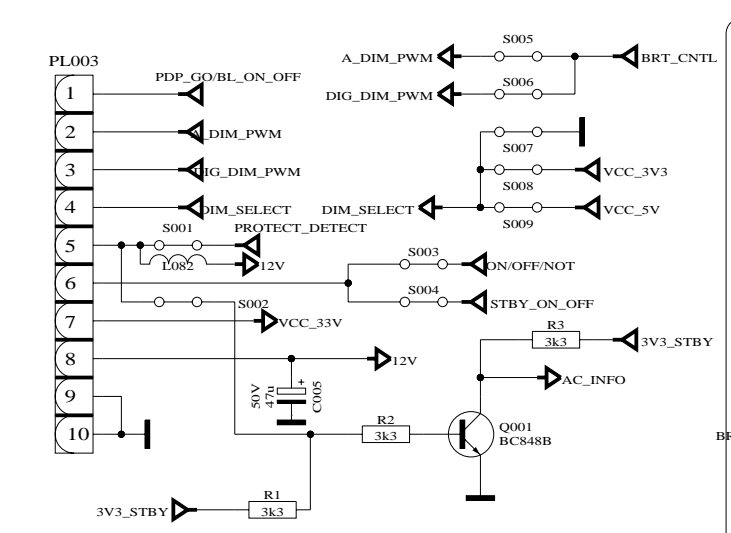
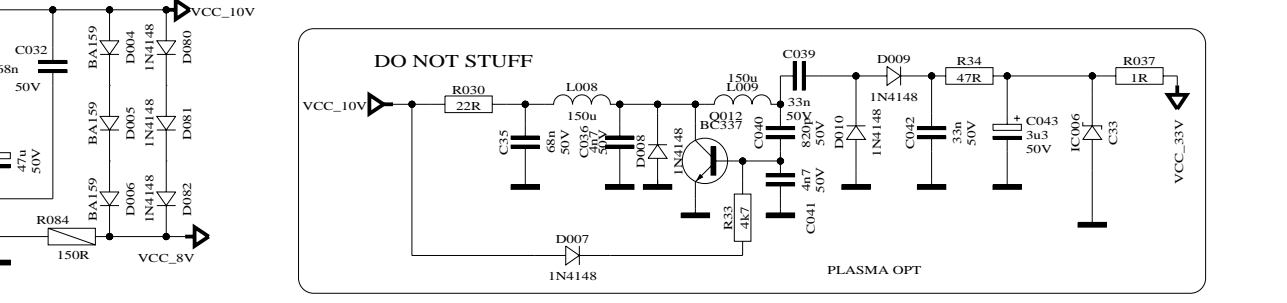
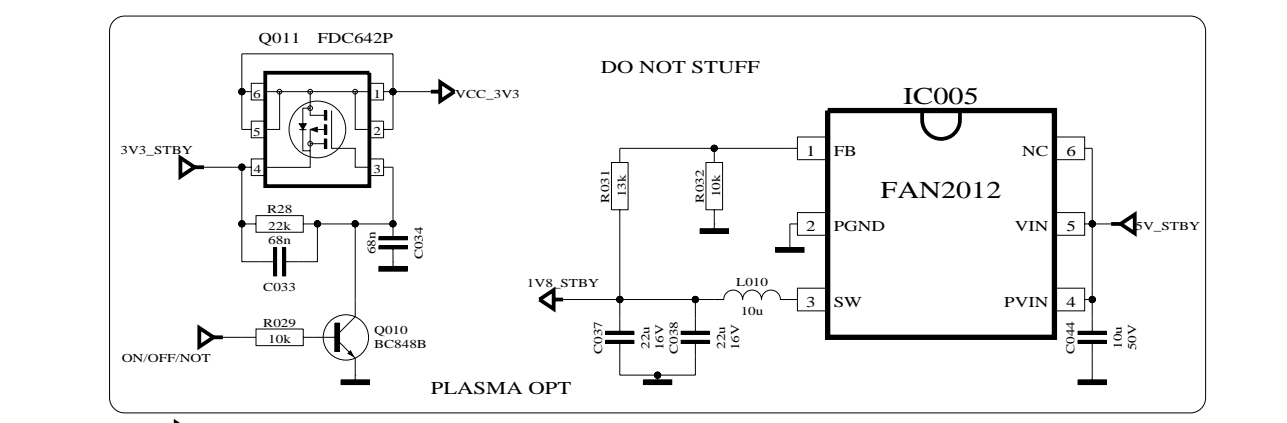
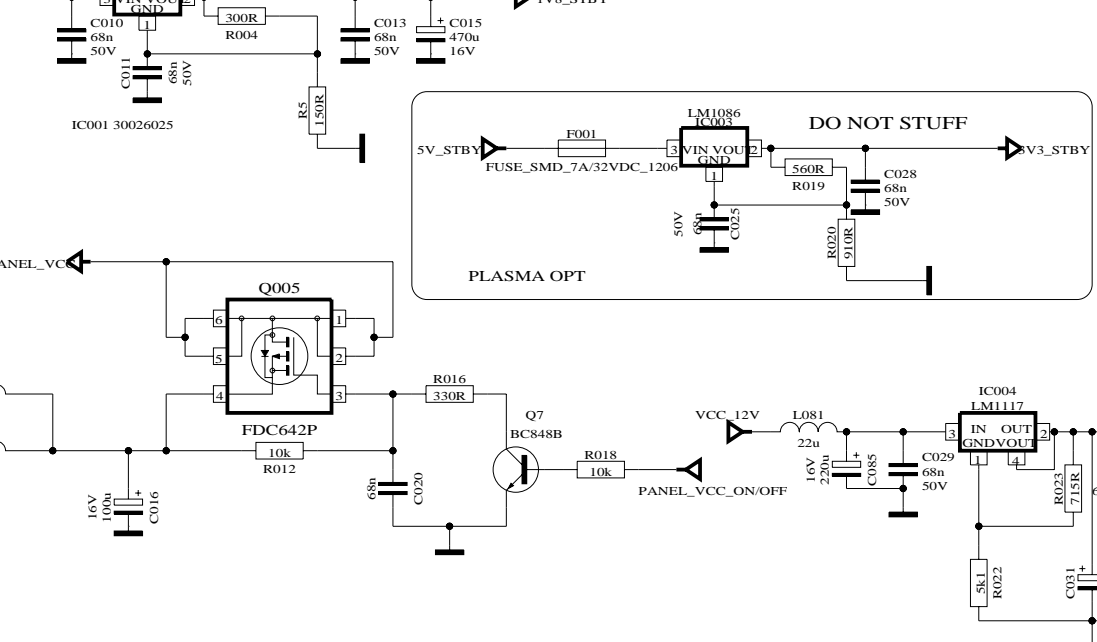
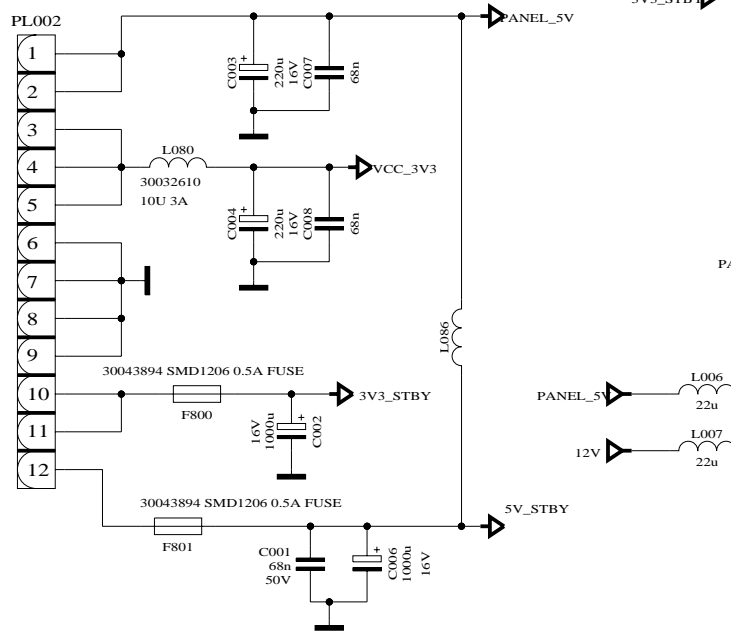
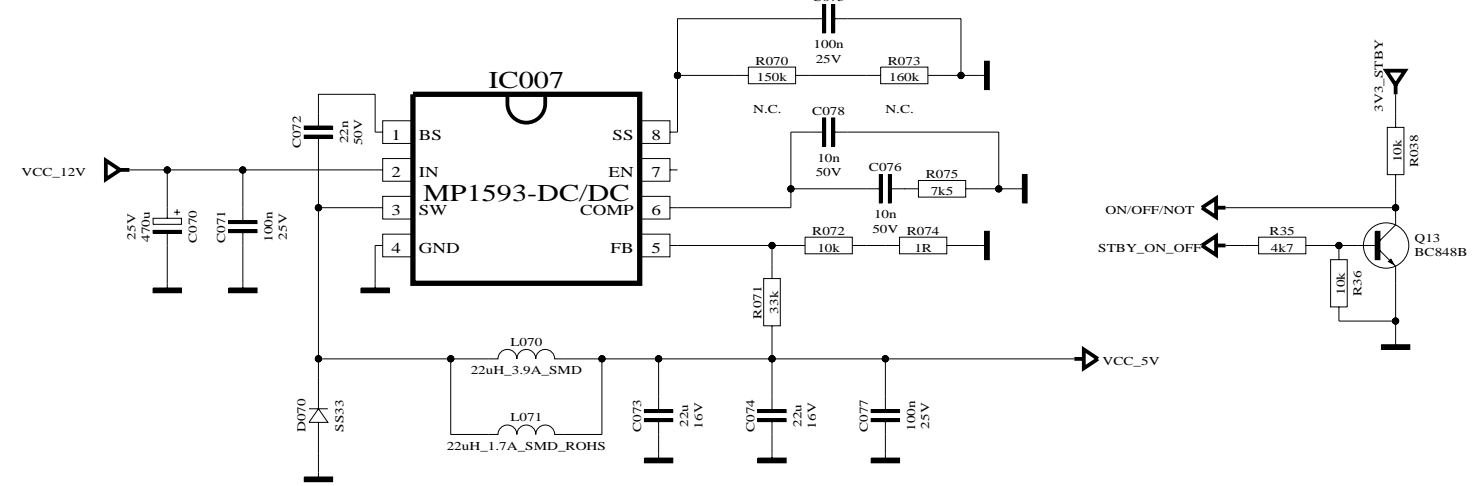
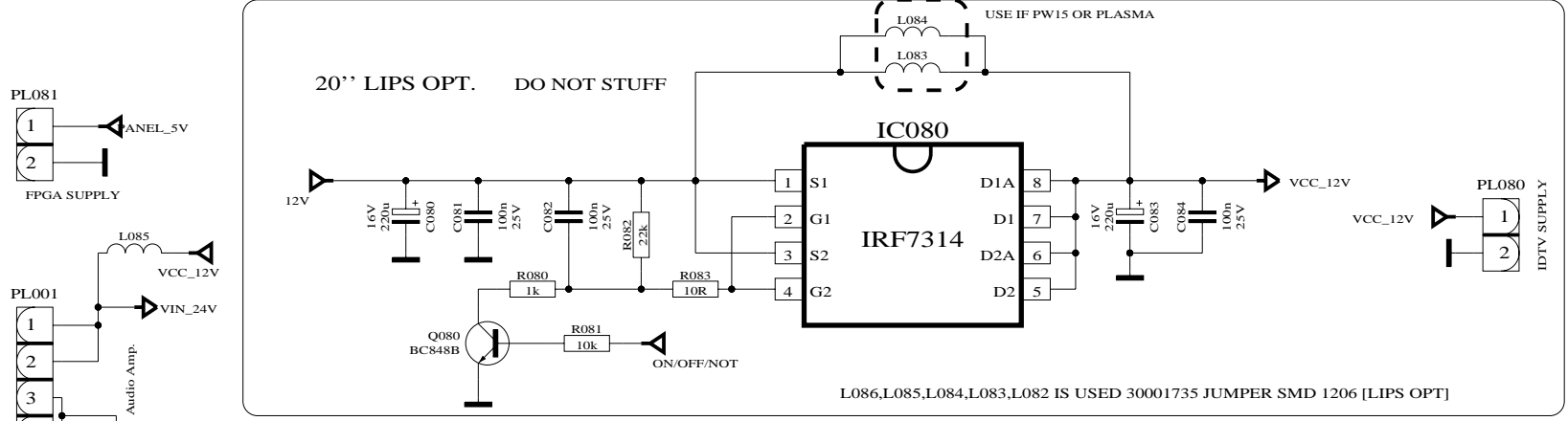


VESTEL ELECTRONICS TV R&D GROUP			
17MB32 32" TFT TV	PIP VPX DECODER		
VER. E0	DATE 02/11/2006	O.TEKDUR S.KARABAKIR E.ADAK	Sheet 6

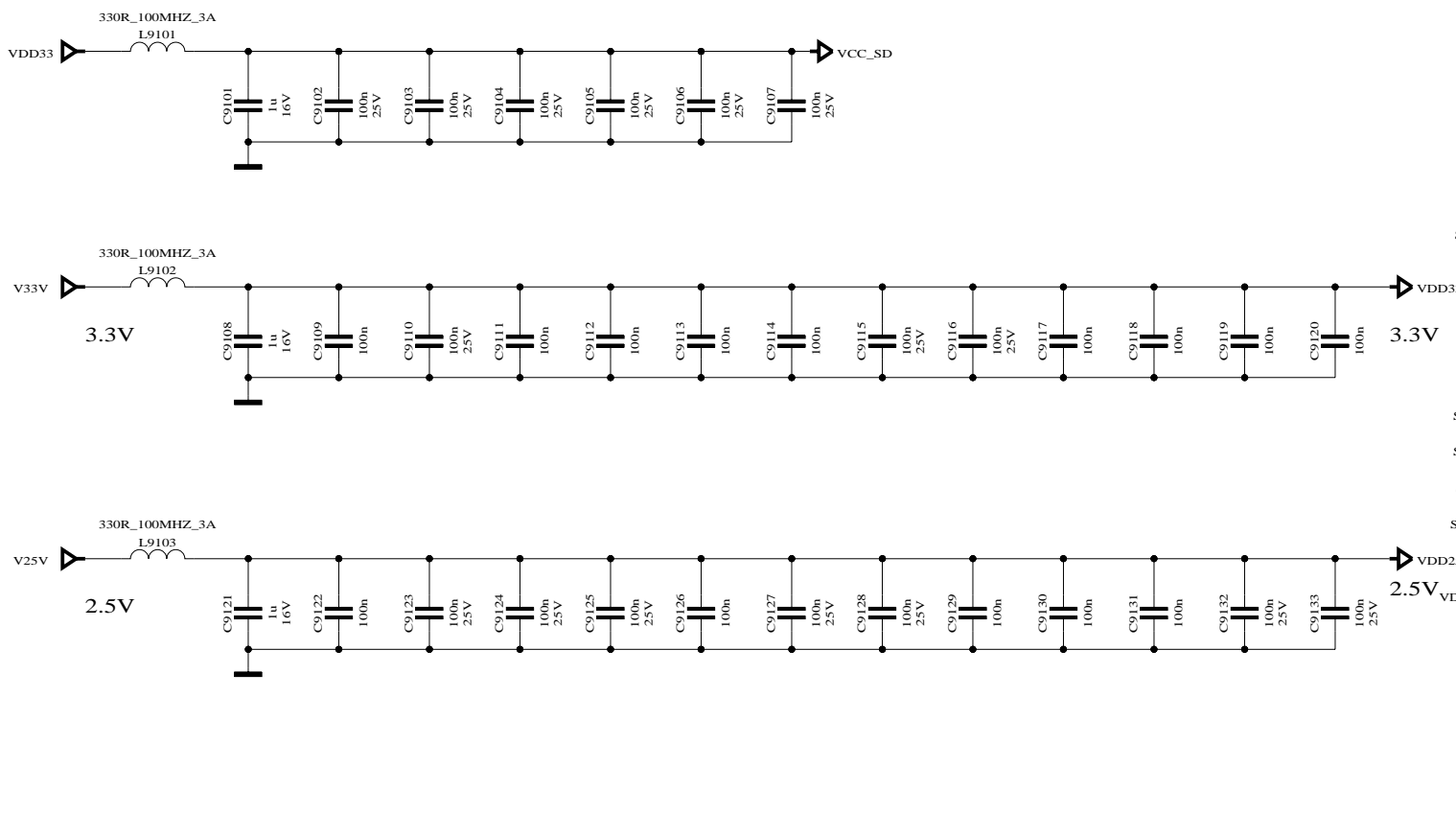
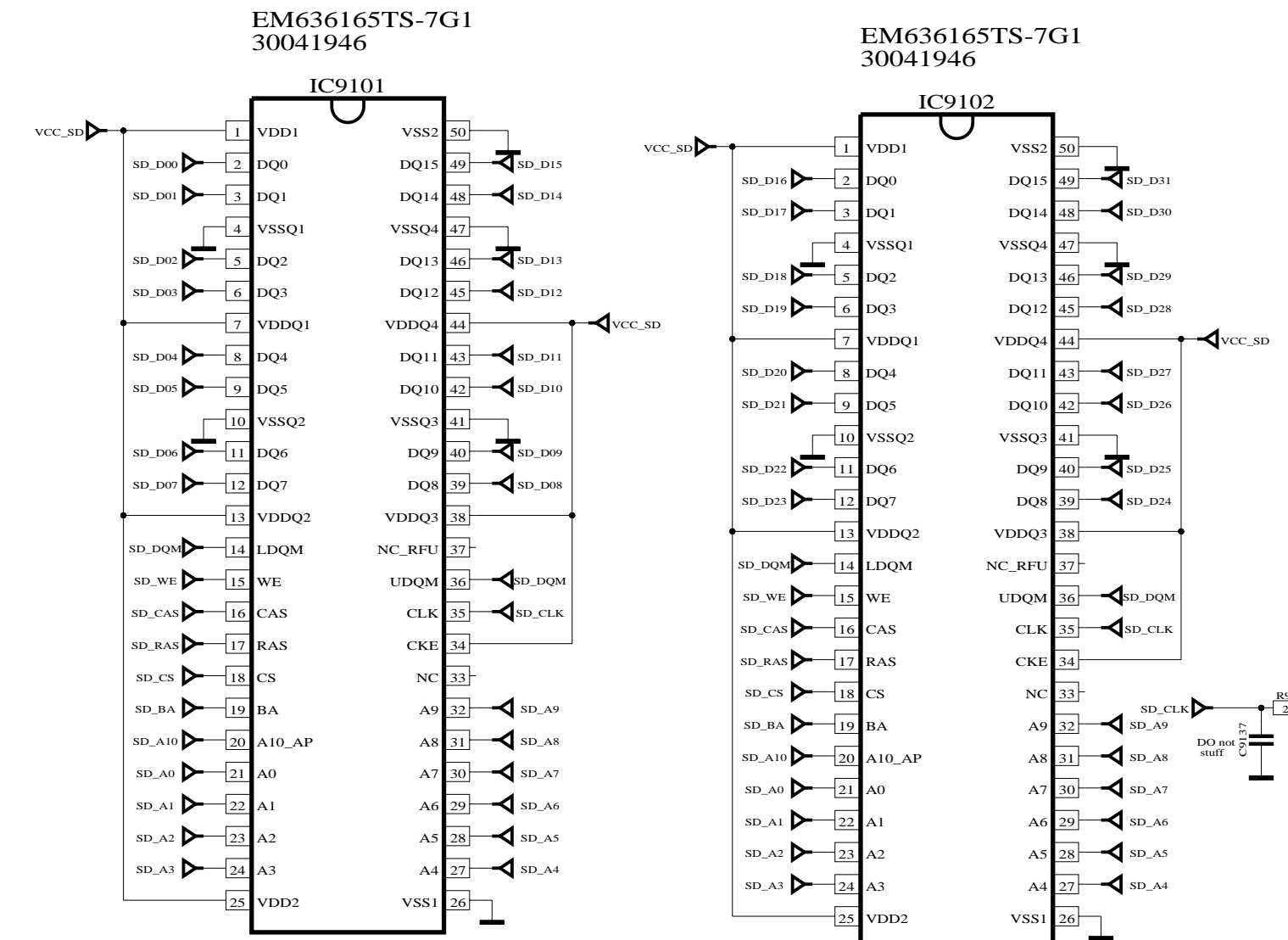
Based on design by  
R.GOKALAN



Based on design by E.ARDALI



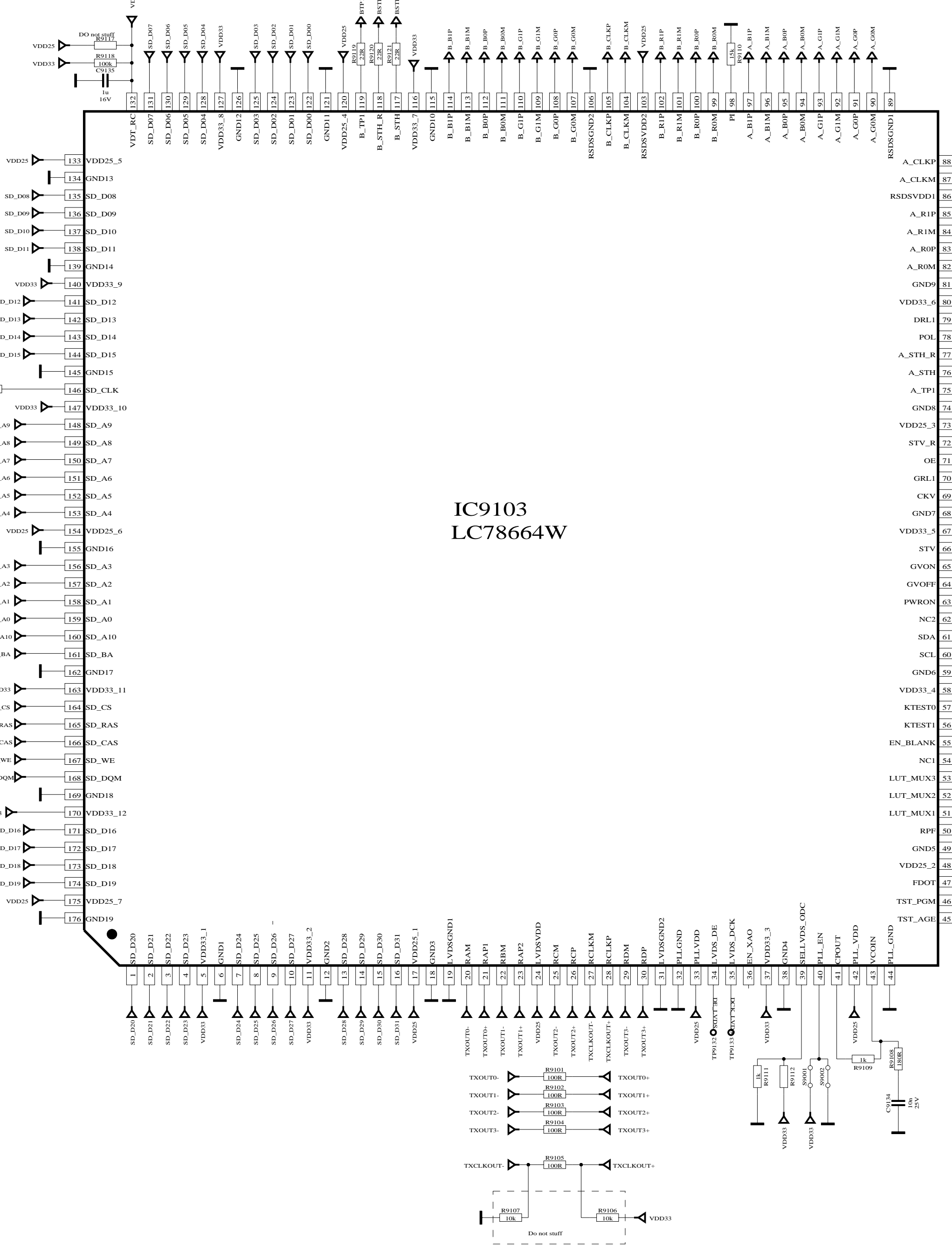




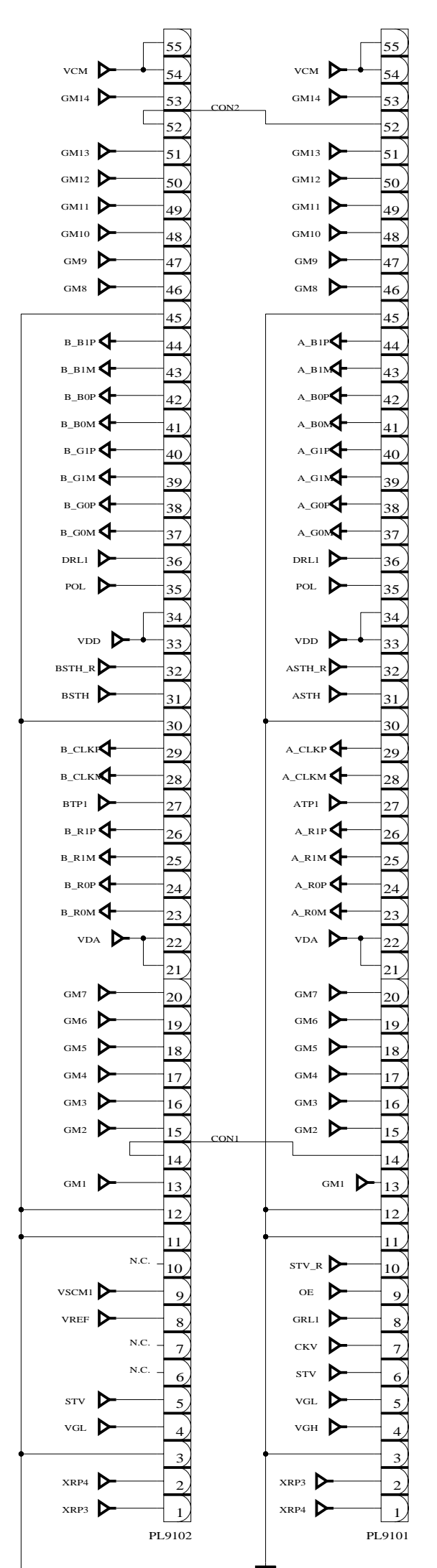
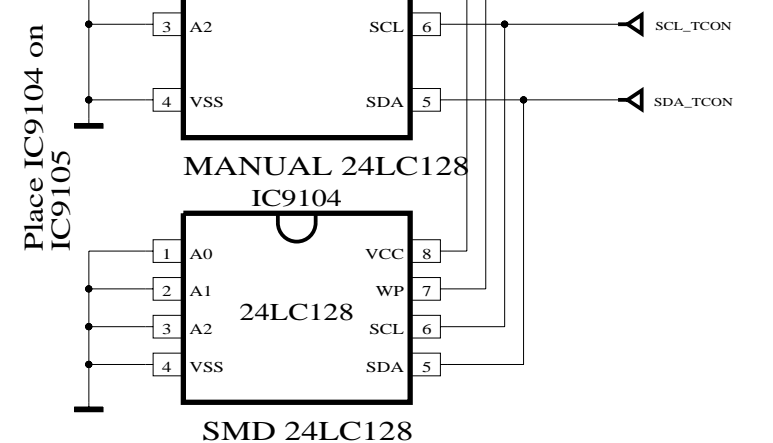
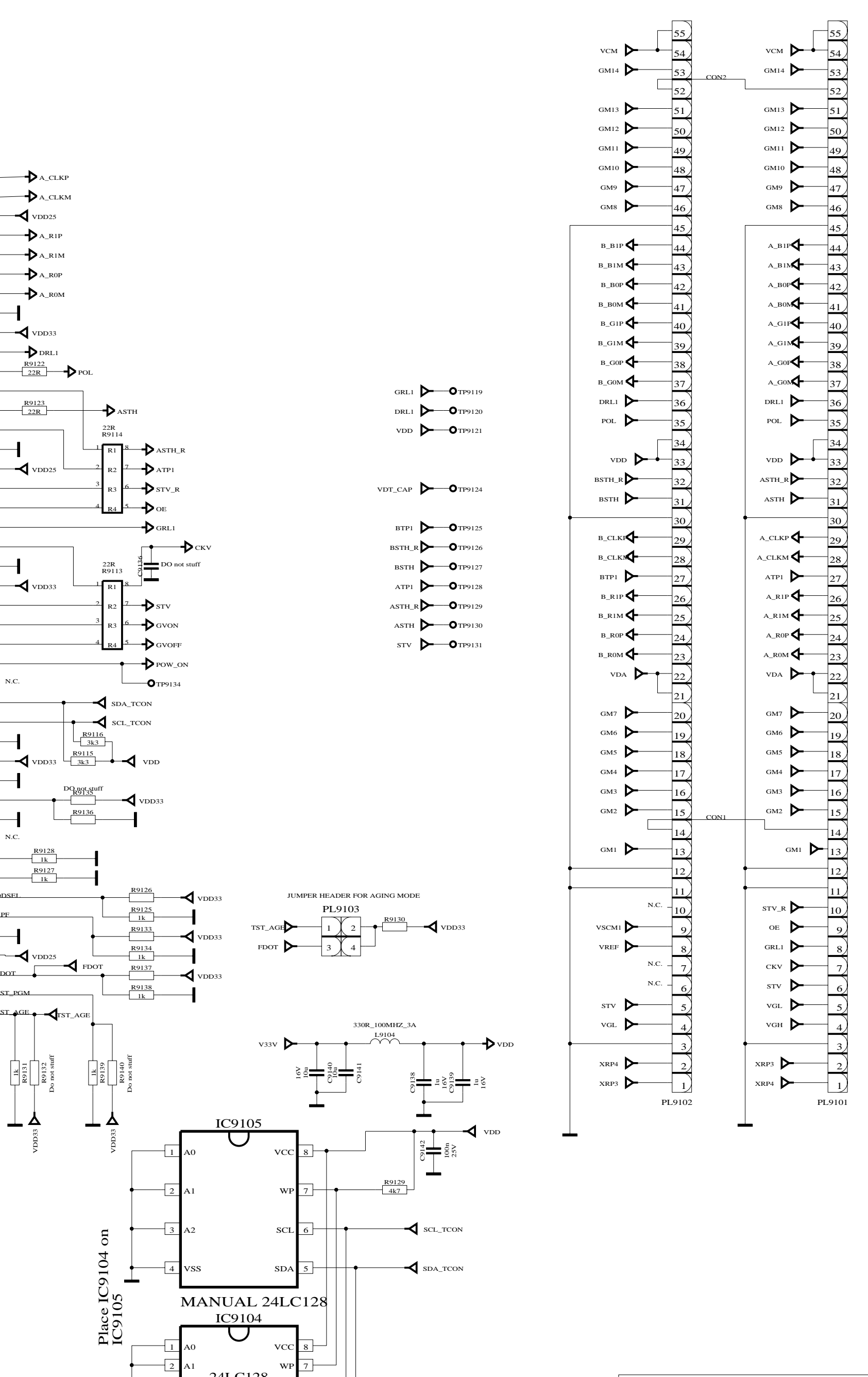
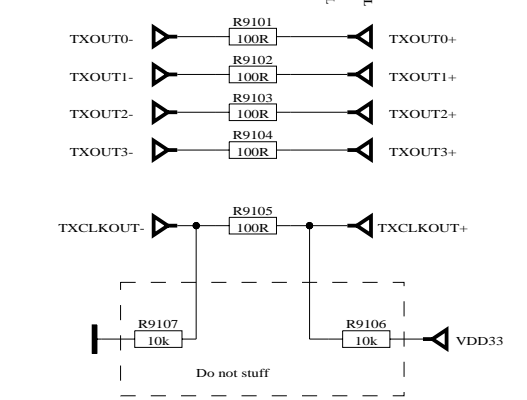
TST\_AGE: Aging Pattern enable. LOW or OPEN for normal display / HIGH for enabling Aging pattern sequence.

ODSEL: Look up table selection. LOW or OPEN for optimized LUT for 60Hz/ HIGH for optimized LUT for 50Hz

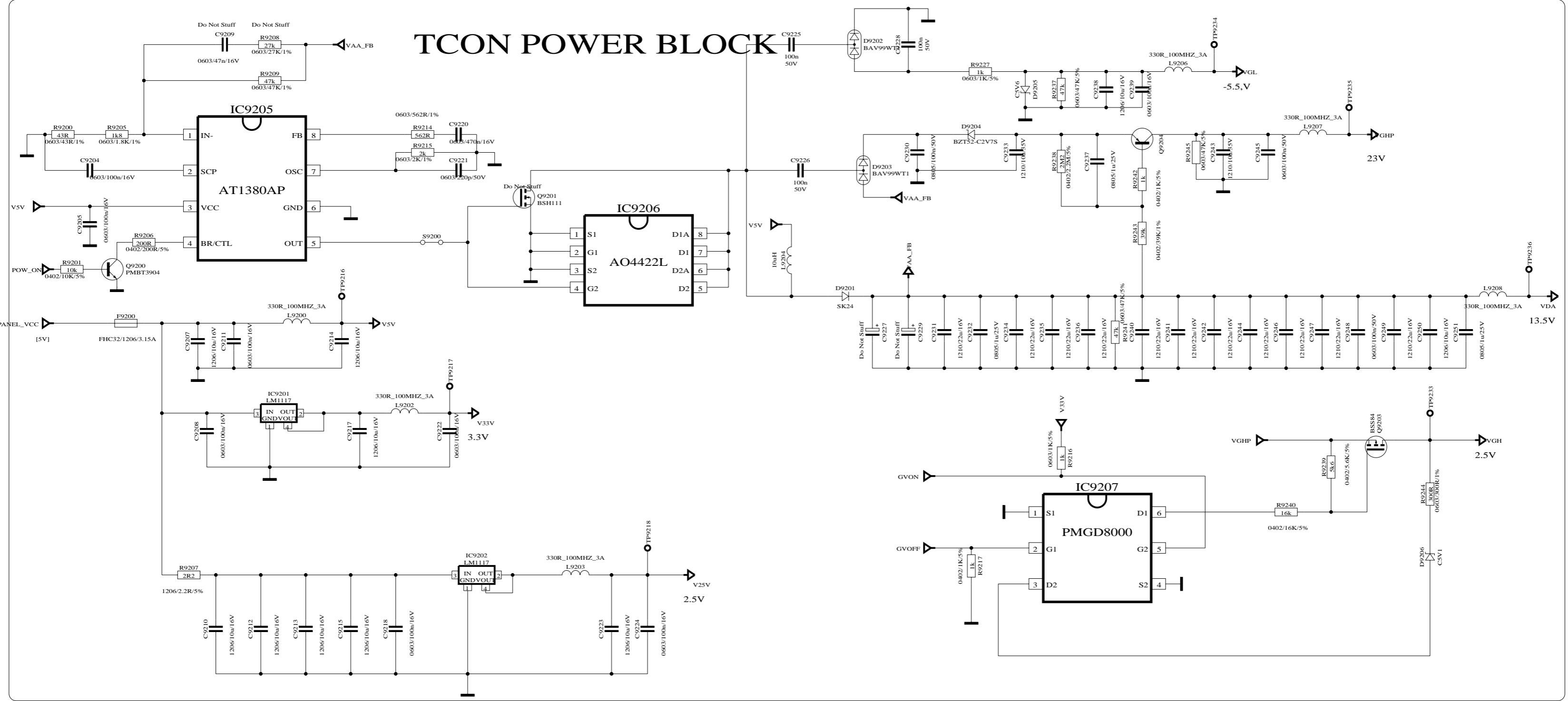
RPF: Display rotation. LOW or OPEN for normal display/ HIGH for 180 degree rotation



**IC9103  
LC78664W**



# TCON POWER BLOCK



# GAMMA BLOCK

