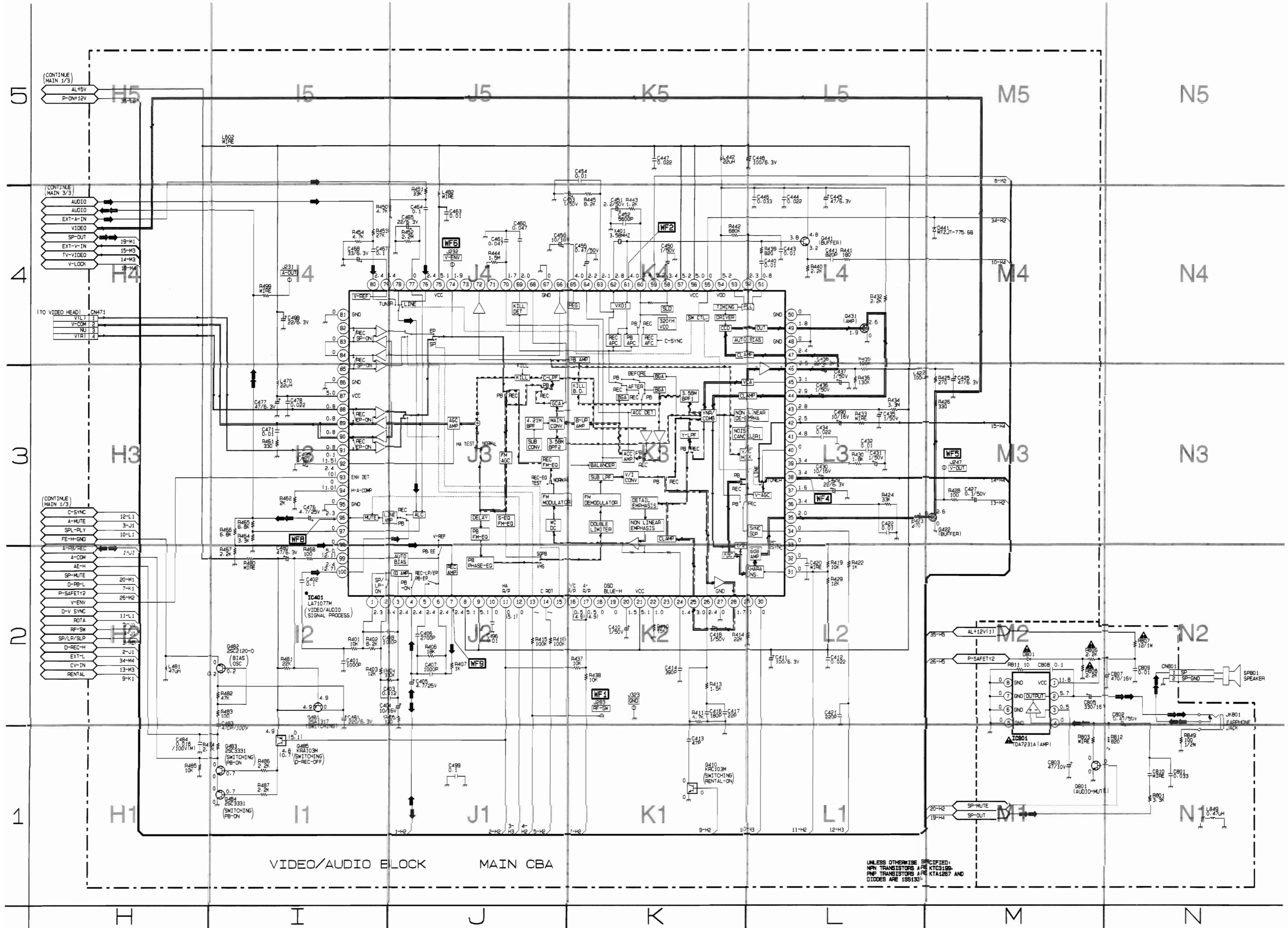
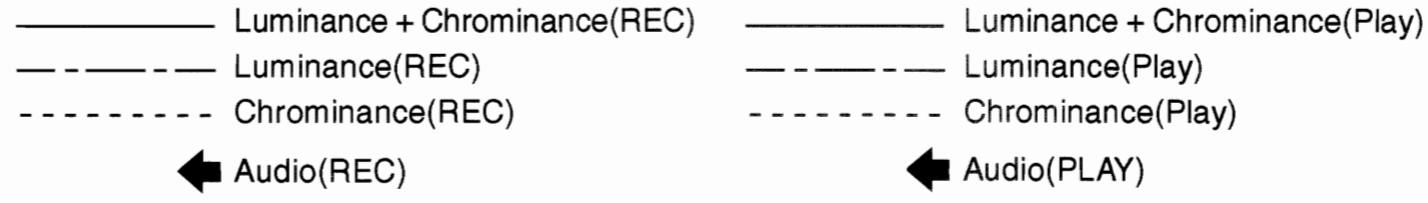


Ref No.	Position
ICCS	
IC201	D-3
IC202	G-5
IC203	E-5
IC204	F-2
IC207	A-4
IC602	B-2
TRANSISTORS	
Q201	C-1
Q202	B-4
Q203	B-3
Q204	F-4
Q210	B-3
Q615	A-1
Q617	C-1
Q618	B-1
Q619	B-2
TEST POINTS	
J229	B-4
J230	D-5
J248	B-4
J289	E-4
CONNECTORS	
CN202	A-4
CN603	A-1
CN851	A-3
CN852	A-3

Main 2/3 Schematic Diagram

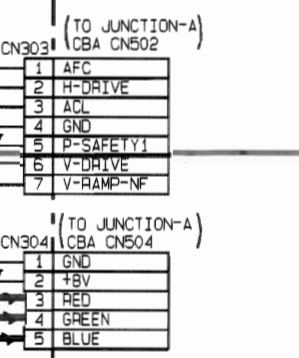
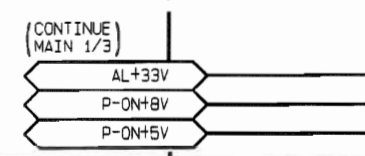
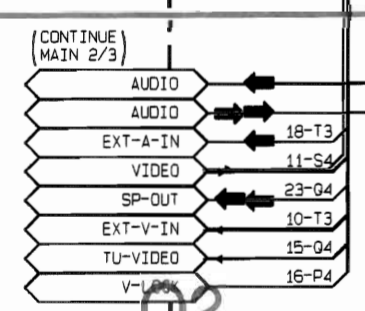
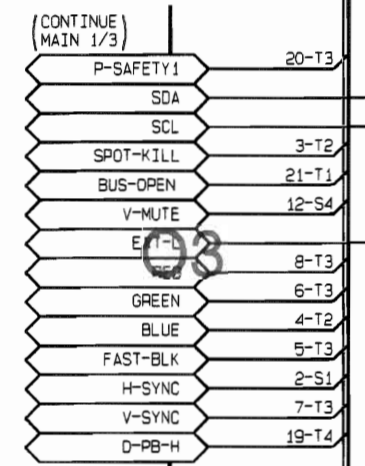
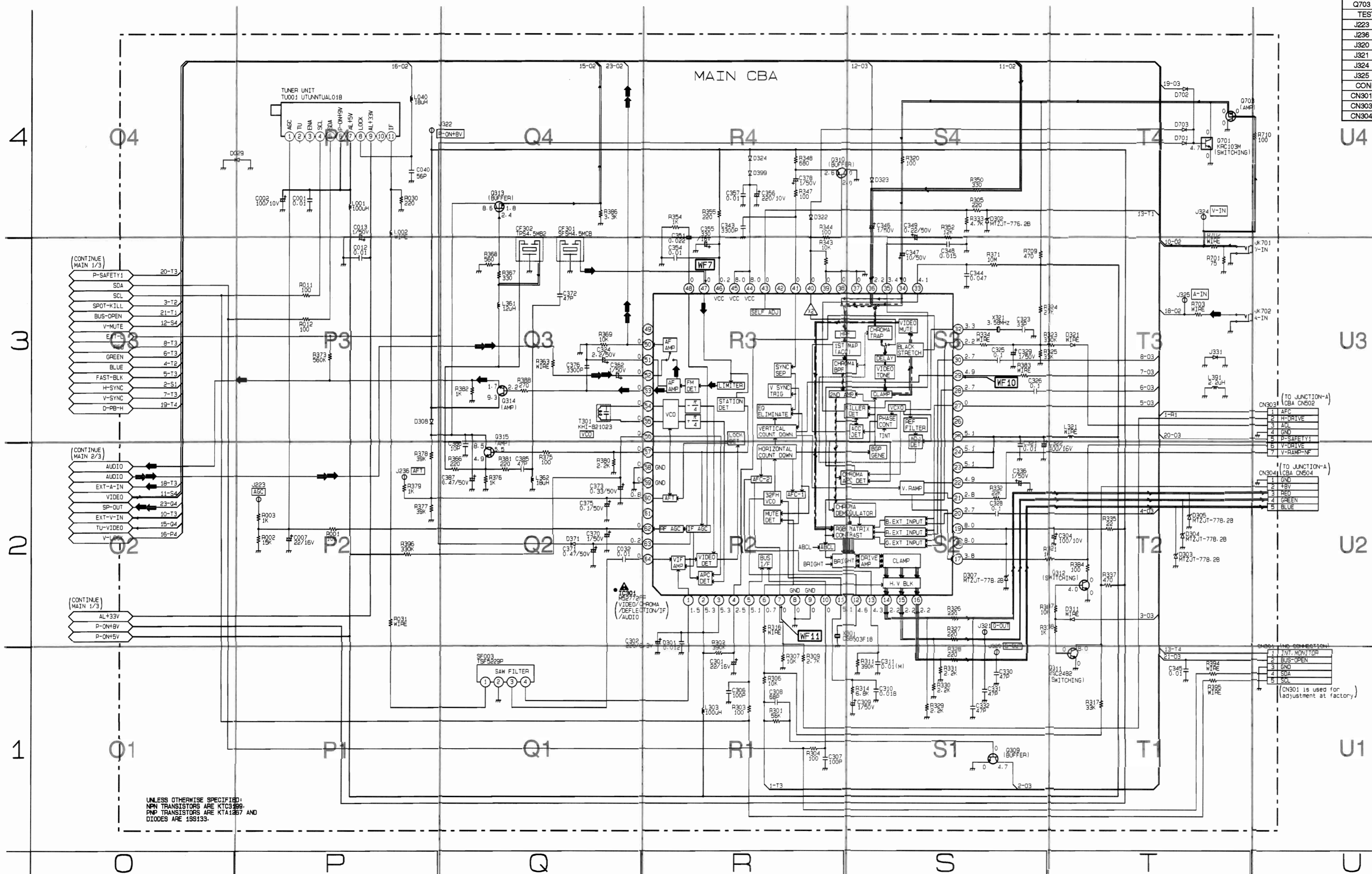
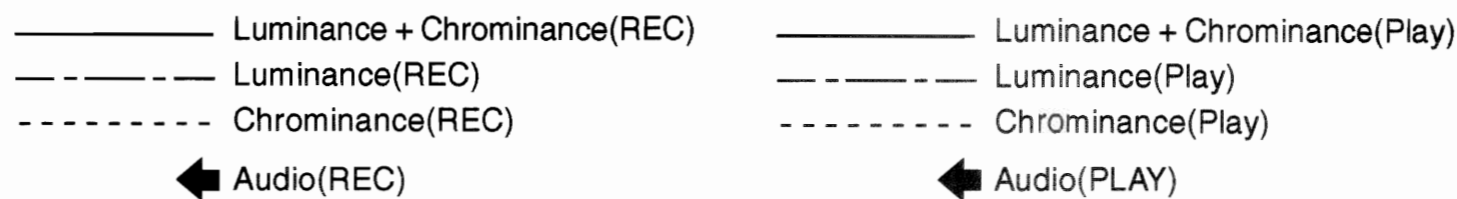


MAIN 2/3

Ref No.	Position
ICS	
IC401	I-2
IC801	M-1
TRANSISTORS	
Q410	K-1
Q422	M-3
Q431	L-4
Q441	L-4
Q481	I-2
Q482	I-2
Q483	I-1
Q484	I-1
Q485	I-1
Q801	M-1
TEST POINTS	
J231	I-4
J232	J-4
J247	M-3
J283	K-2
J323	K-2
CONNECTORS	
CN471	H-4
CN802	N-2

UNLESS OTHERWISE SPECIFIED:  
 NPN TRANSISTORS ARE 2N3904  
 PNP TRANSISTORS ARE 2N2904  
 DIODES ARE 1N913

Ref No.	Position
ICS	
IC301	Q-2
TRANSISTORS	
Q309	S-1
Q310	R-4
Q311	T-1
Q312	T-2
Q313	Q-4
Q314	Q-3
Q315	Q-2
Q701	T-4
Q703	T-4
TEST POINTS	
J223	P-2
J236	P-2
J320	S-1
J321	S-2
J324	T-4
J325	T-3
CONNECTORS	
CN301	U-1
CN303	U-3
CN304	U-2



UNLESS OTHERWISE SPECIFIED:  
 NPN TRANSISTORS ARE KTC3999  
 PNP TRANSISTORS ARE KTA1857 AND  
 DIODES ARE 1S5133.



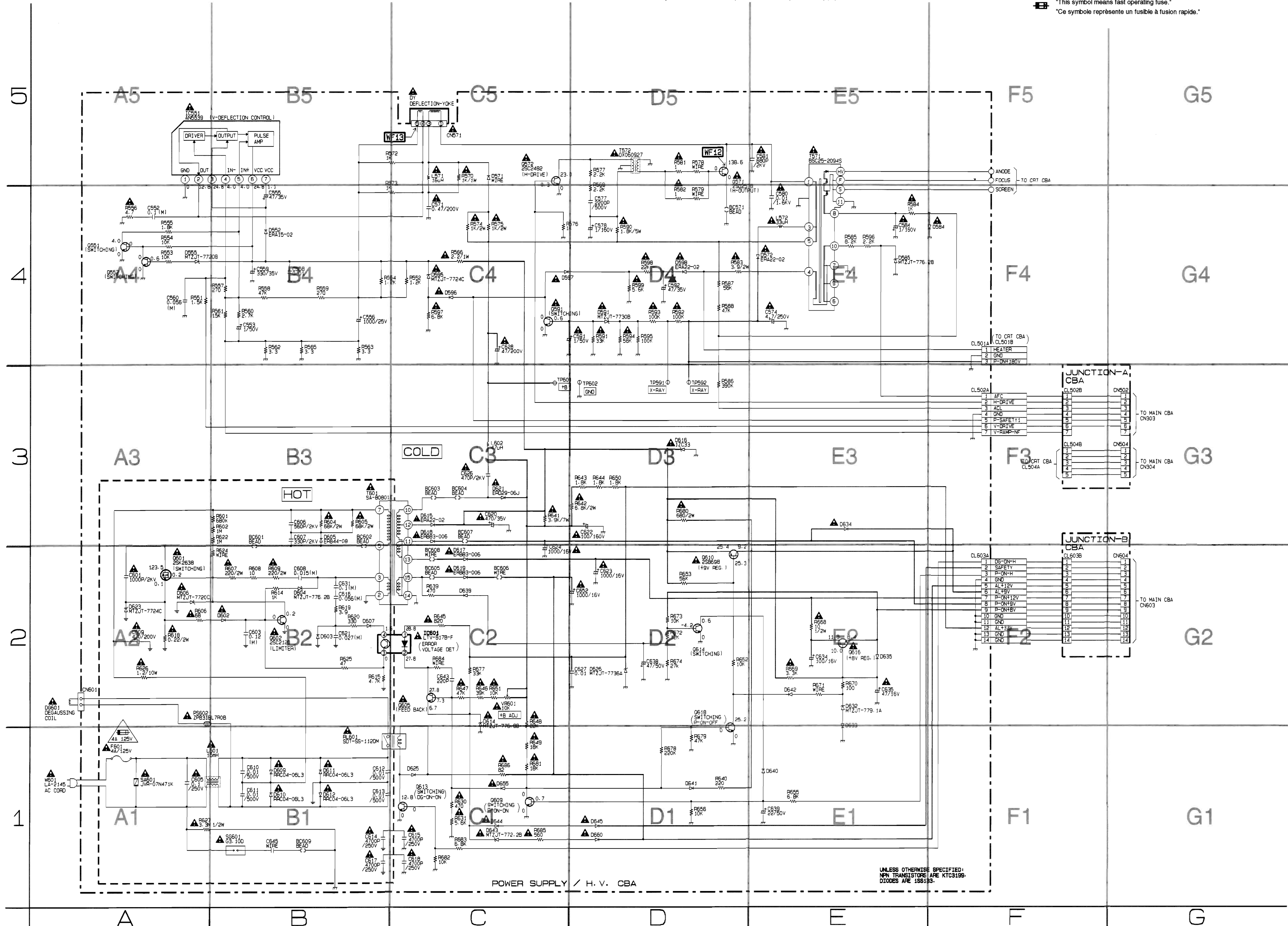
**Power Supply/H.V. Schematic Diagram**

**NOTE:**  
THE VOLTAGE FOR PARTS IN HOT CIRCUIT IS MEASURED USING  
HOT GND AS A COMMON TERMINAL.

**CAUTION !**  
Fixed voltage power supply circuit is used in this unit.  
If Main Fuse (F601) is blown, check to see that all components in the power supply  
circuit are not defective before you connect the AC plug to the AC power supply.  
Otherwise it may cause some components in the power supply circuit to fail.



**CAUTION**  
FOR CONTINUED PROTECTION AGAINST FIRE HAZARD,  
REPLACE ONLY WITH THE SAME TYPE FUSE.  
ATTENTION : POUR UNE PROTECTION CONTINUE LES RISQUES  
D'INCELE N'UTILISER QUE DES FUSIBLE DE MEMO TYPE.  
**RISK OF FIRE-REPLACE FUSE AS MARKED.**  
This symbol means fast operating fuse.  
Ce symbole représente un fusible à fusion rapide.

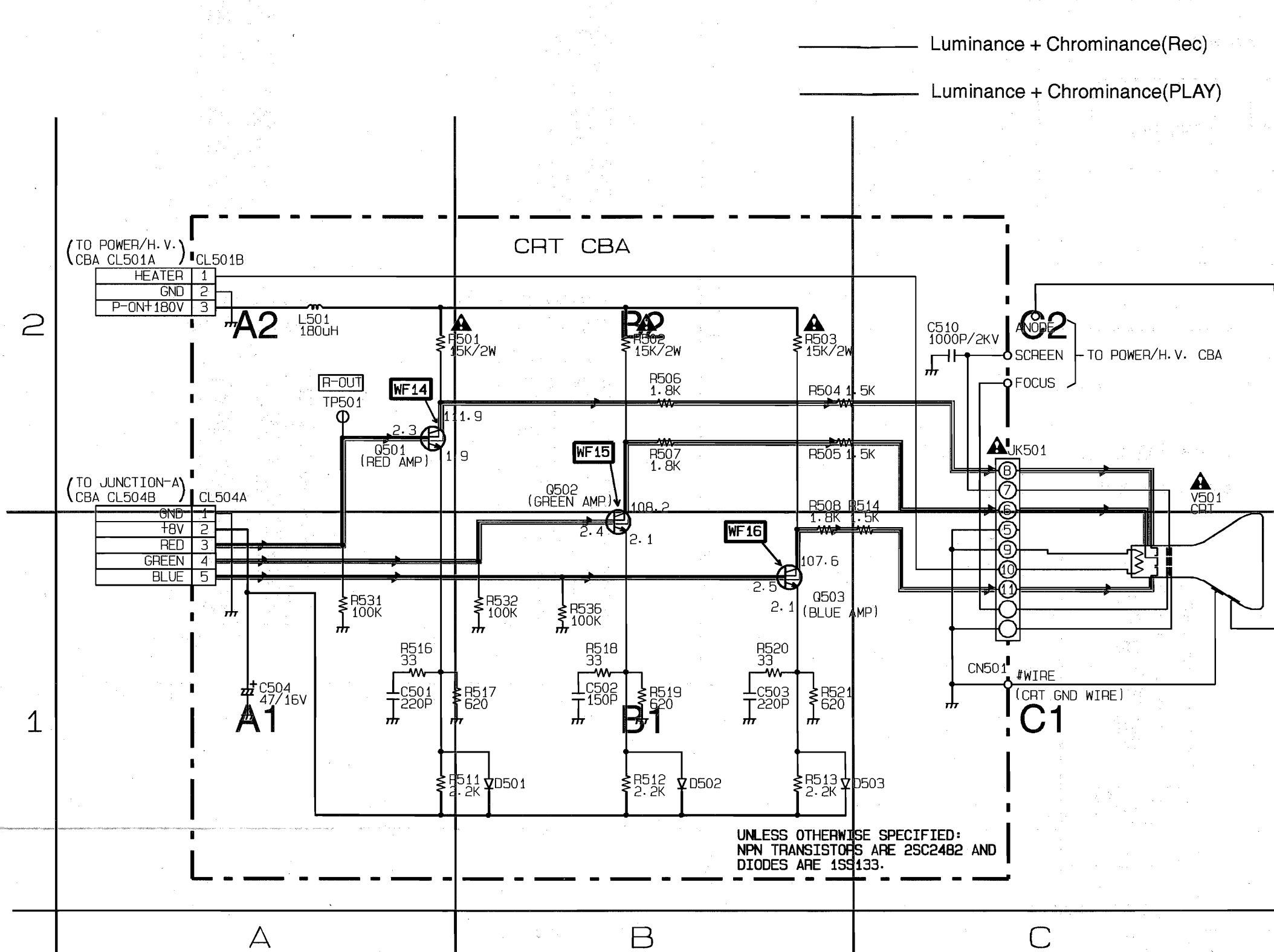


**POWER SUPPLY/H.V.**

Ref No.	Position
ICS	
IC551	A-5
IC601	C-2
TRANSISTORS	
Q551	A-4
Q552	A-4
Q571	D-5
Q572	C-5
Q591	C-4
Q601	A-2
Q602	B-2
Q605	C-2
Q609	C-1
Q610	D-2
Q613	C-1
Q614	D-2
Q616	E-2
Q618	D-2
TEST POINTS	
TP561	D-3
TP562	D-3
TP601	C-3
TP602	D-3
CONNECTORS	
CL501A	F-4
CL502A	F-3
CL501A	C-5
CL603A	F-2
CN601	A-2
ADJUSTMENT	
VR601	C-2

UNLESS OTHERWISE SPECIFIED,  
NEW TRANSISTORS ARE KTC3199-  
DIODES ARE 1SS145

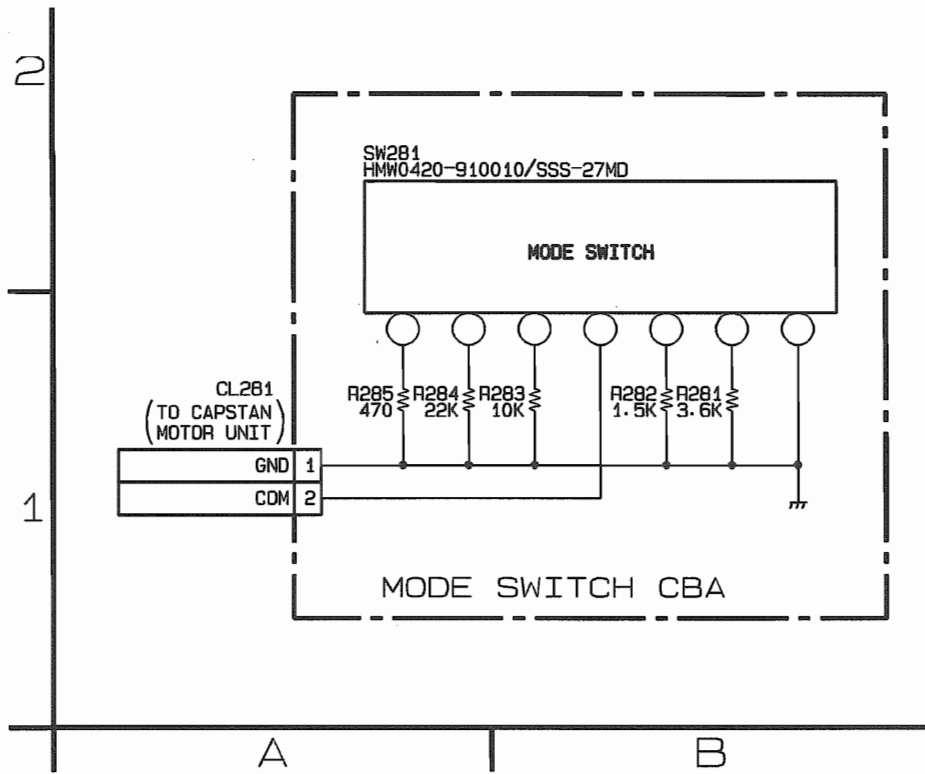
# CRT Schematic Diagram



CRT	
Ref No.	Position
<b>TRANSISTORS</b>	
Q501	A-2
Q502	B-2
Q503	B-2
<b>TEST POINTS</b>	
TP501	A-2
<b>CONNECTORS</b>	
CN501	C-1
CL501B	A-2
CL504A	A-2

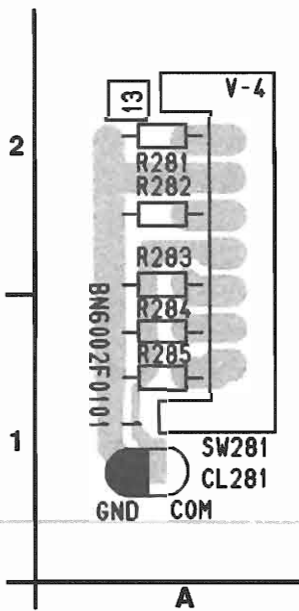
UNLESS OTHERWISE SPECIFIED:  
 NPN TRANSISTORS ARE 2SC2482 AND  
 DIODES ARE 1SS133.

# Mode SW Schematic Diagram

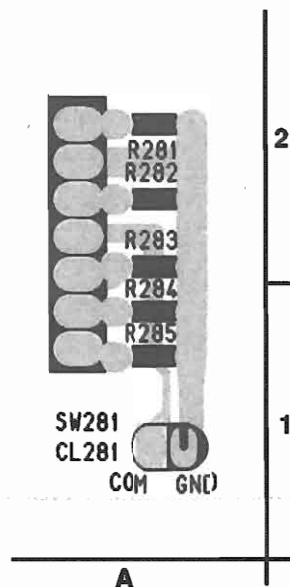


T5000SCMS

**Mode SW CBA  
Top View**



**Mode SW CBA  
Bottom View**



BN6002F0101