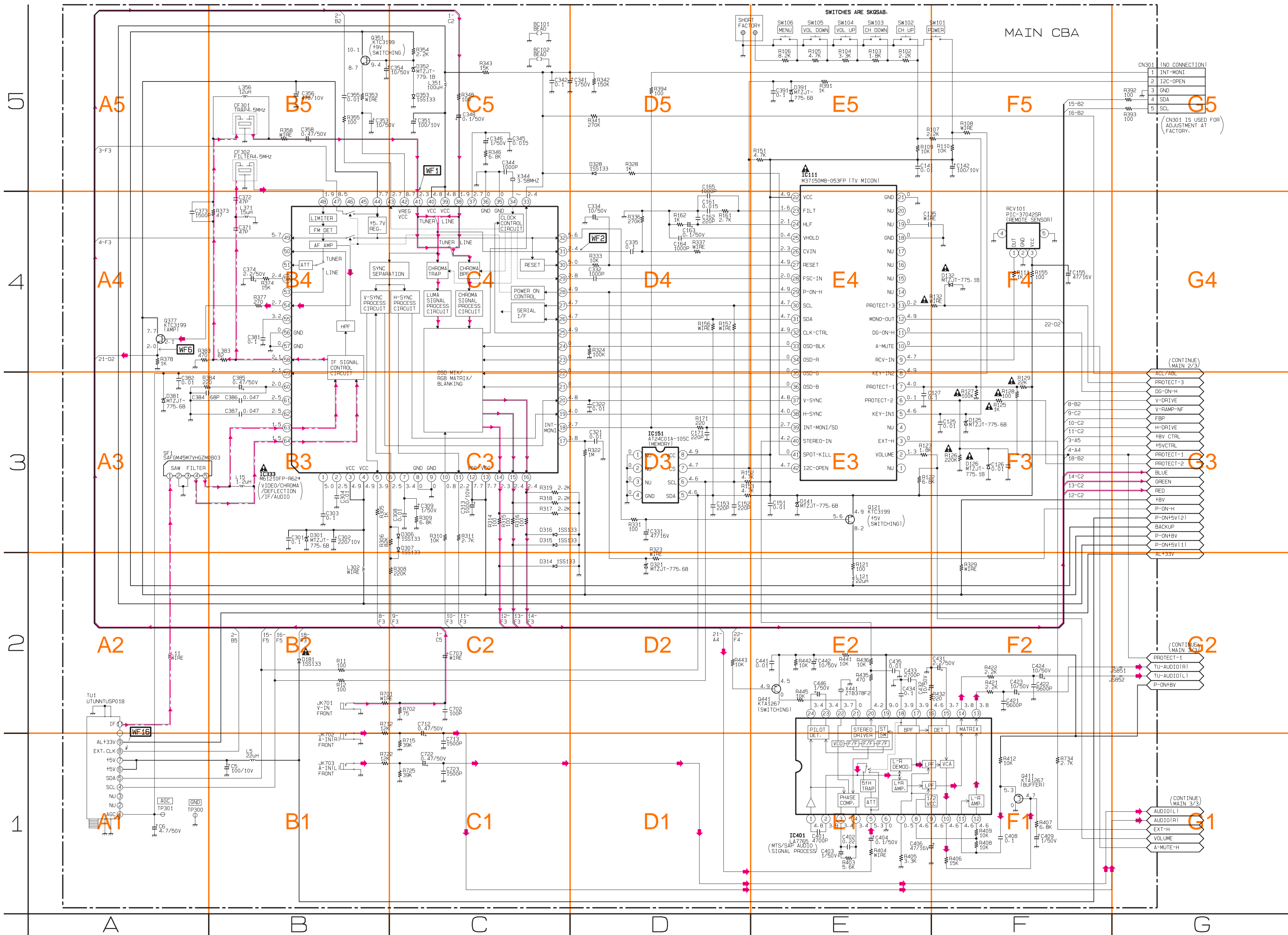


--- IF SIGNAL
 — VIDEO SIGNAL
 ← AUDIO SIGNAL



MAIN 1/3

Ref No.	Position
ICS	
IC111	E-5
IC151	D-3
IC333	B-3
IC401	E-1
TRANSISTORS	
Q121	E-3
Q351	B-5
Q377	A-4
Q411	F-1
Q441	E-2
TEST POINTS	
TP300	A-1
TP301	A-1
CONNECTOR	
CN301	G-5

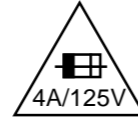
Main 2/3 & CRT Schematic Diagram

CAUTION !

Fixed voltage power supply circuit is used in this unit.
If Main Fuse (F601) is blown, check to see that all components in the power supply circuit are not defective before you connect the AC plug to the AC power supply.
Otherwise it may cause some components in the power supply circuit to fail.

NOTE :

The voltage for parts in hot circuit is measured using hot GND as a common terminal.

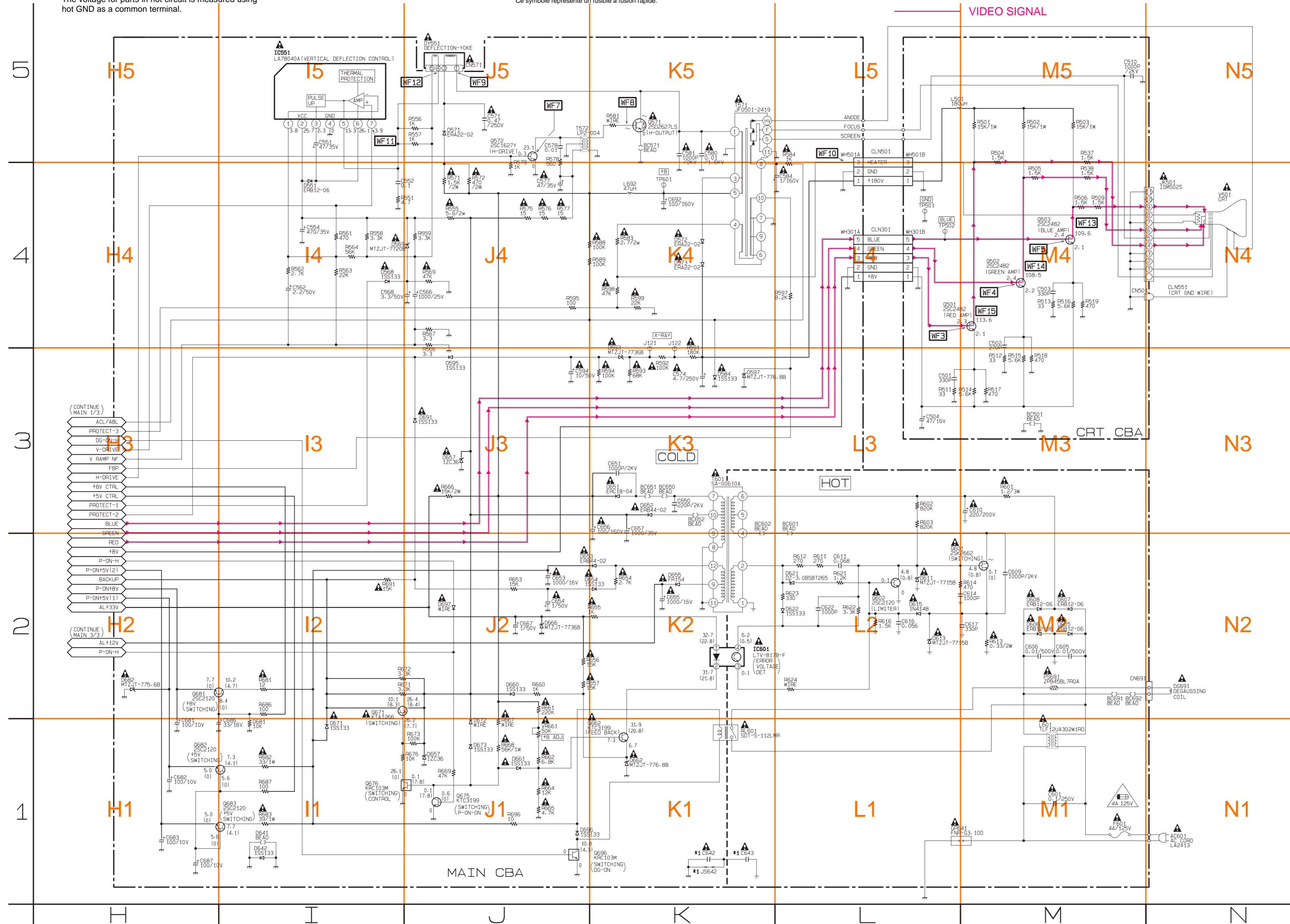


CAUTION

FOR CONTINUED PROTECTION AGAINST FIRE HAZARD,
REPLACE ONLY WITH THE SAME TYPE FUSE.
ATTENTION : POUR UNE PROTECTION CONTINUE LES RISQUES
D'INCELE N'UTILISER QUE DES FUSIBLE DE MEMO TYPE.
RISK OF FIRE-REPLACE FUSE AS MARKED.

"This symbol means fast operating fuse."
"Ce symbole représente un fusible à fusion rapide."

BECAUSE A HOT CHASSIS GROUND IS PRESENT IN THE POWER
SUPPLY CIRCUIT, AN ISOLATION TRANSFORMER MUST BE USED.
ALSO, IN ORDER TO HAVE THE ABILITY TO INCREASE THE INPUT
SLOWLY, WHEN TROUBLESHOOTING THIS TYPE POWER SUPPLY
CIRCUIT, A VARIABLE ISOLATION TRANSFORMER IS REQUIRED.

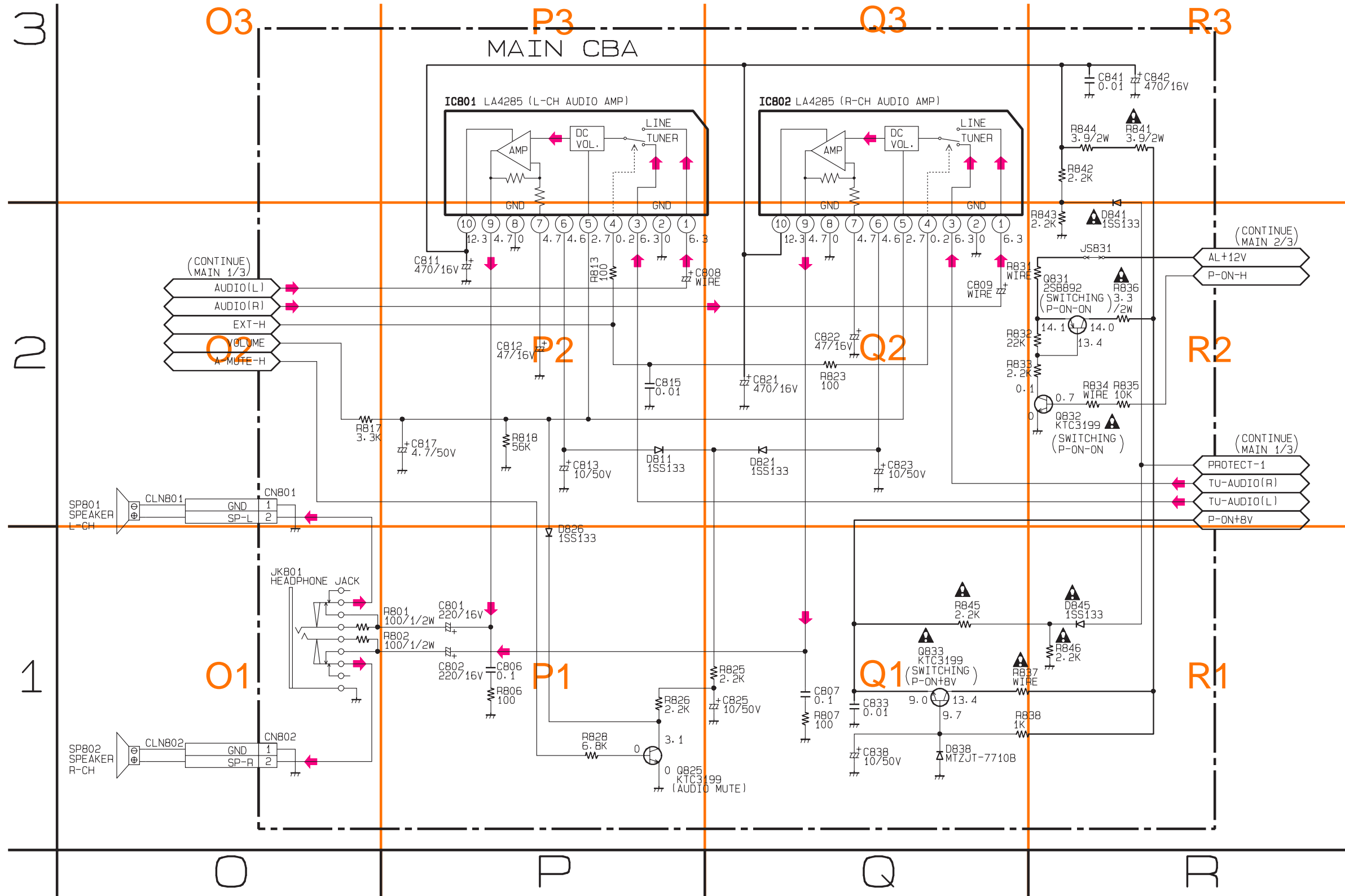


CRT	
Ref No.	Position
TRANSISTORS	
Q501	M-4
Q502	M-4
Q503	M-4
TEST POINTS	
TP501	L-4
TP502	L-4
CONNECTORS	
CN501	M-4
WH301B	L-4
WH501B	L-5

MAIN 2/3	
Ref No.	Position
ICS	
IC551	I-5
IC601	K-2
TRANSISTORS	
Q571	K-5
Q572	J-5
Q601	M-2
Q602	L-2
Q662	K-1
Q671	I-2
Q675	J-1
Q676	I-1
Q681	H-2
Q682	H-1
Q683	I-1
Q696	K-1
TEST POINTS	
J121	K-4
J122	K-4
TP601	K-4
CONNECTORS	
CN571	J-5
CN691	M-2
WH301A	L-4
WH501A	L-5
VARIABLE RESISTOR	
VR661	J-1

Main 3/3 Schematic Diagram

← AUDIO SIGNAL



MAIN 3/3

Ref No.	Position
ICS	
IC801	P-3
IC802	Q-3
TRANSISTORS	
Q825	P-1
Q831	R-2
Q832	R-2
Q833	Q-1
CONNECTOR	
CN801	O-2
CN802	O-1