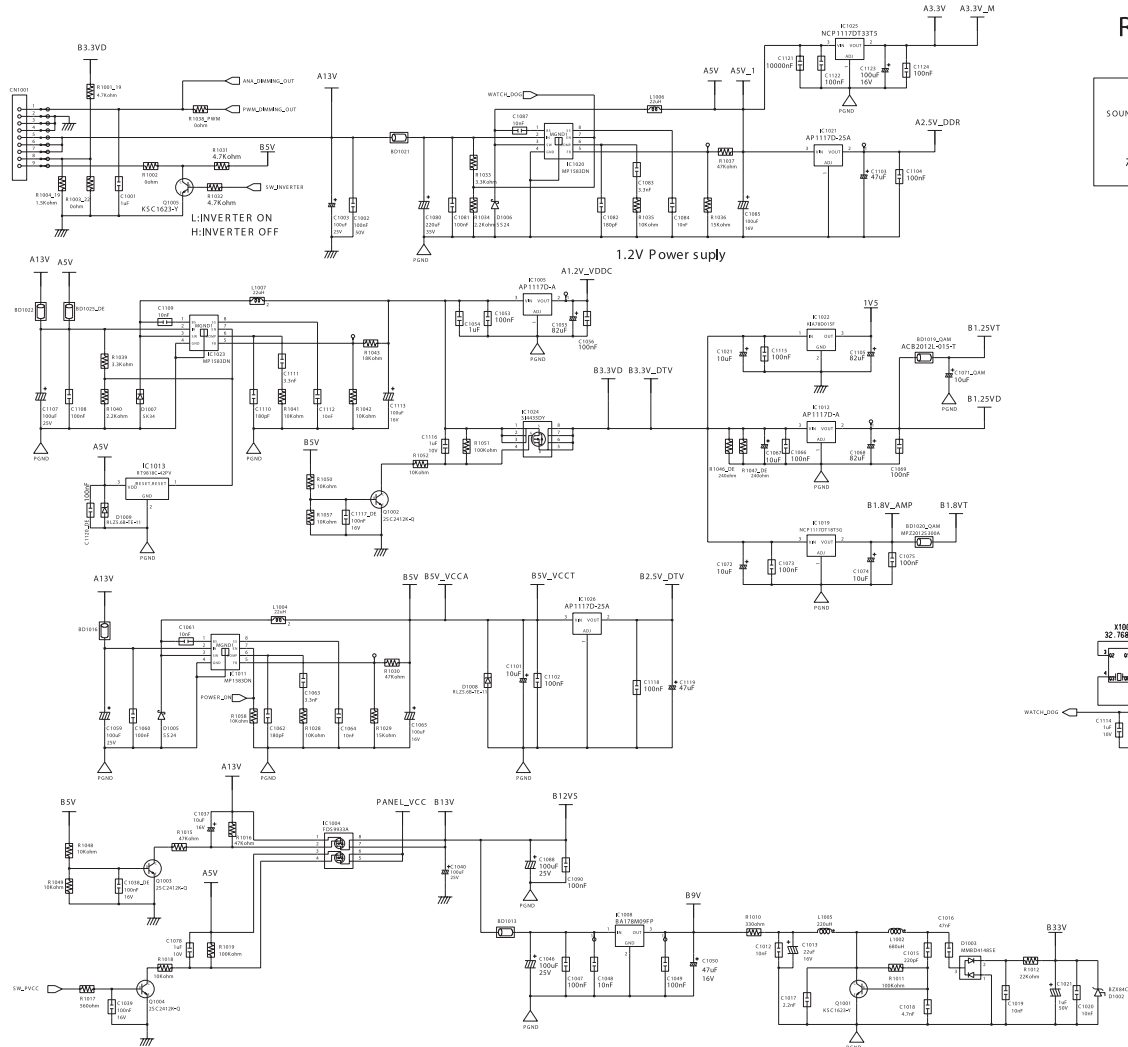


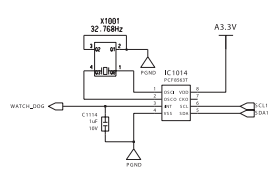
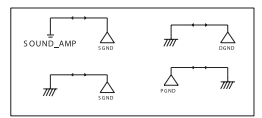
# 9 Schematic Diagrams

-This Document can not be used without Samsung' s authorization.

## 9-1 Power\_Function Schematic Diagram



Reference : 1001~

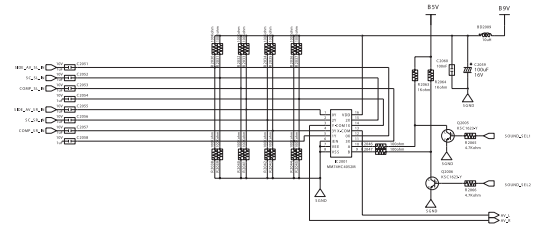
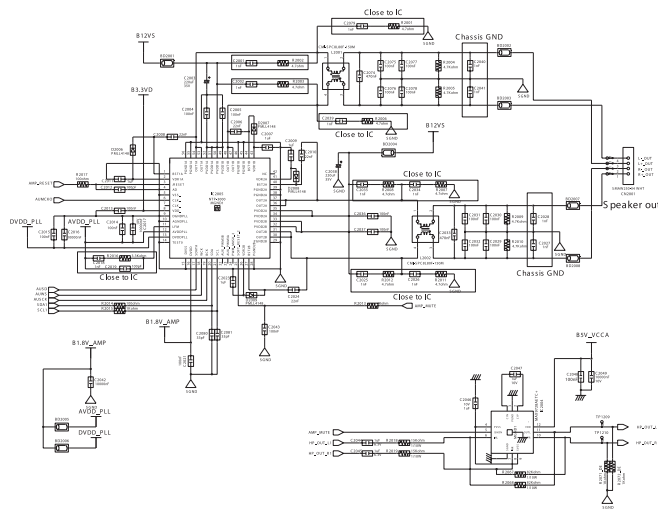


-This Document can not be used without Samsung 's authorization.

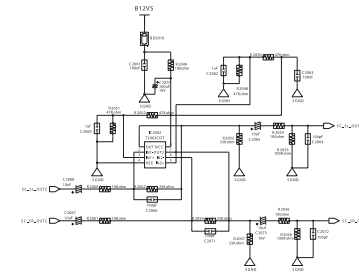
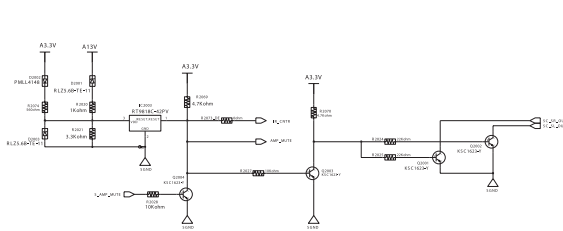
## 9-2 Sound Processing Schematic Diagram

Reference : 2001~

### SOUND AMP



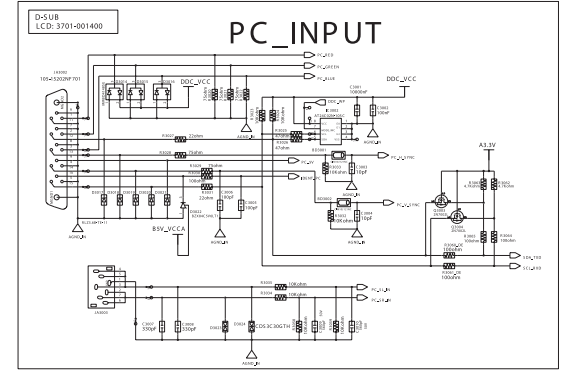
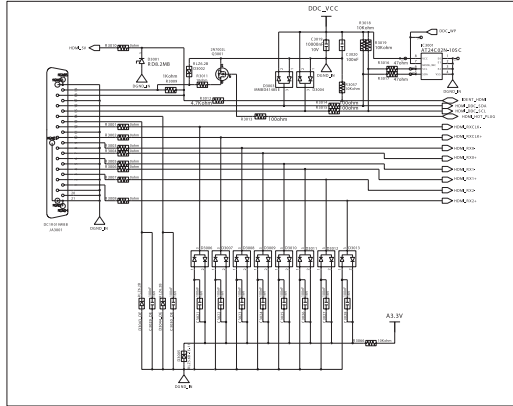
### POP NOISE SOLUTION



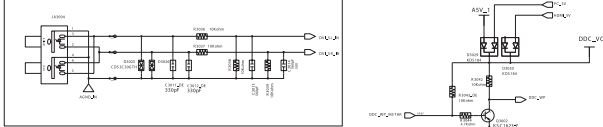
# 9-3 Input & Output jack I Schematic Diagram

Reference : 3001~

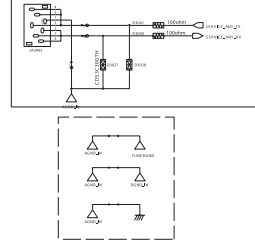
## HDMI INPUT



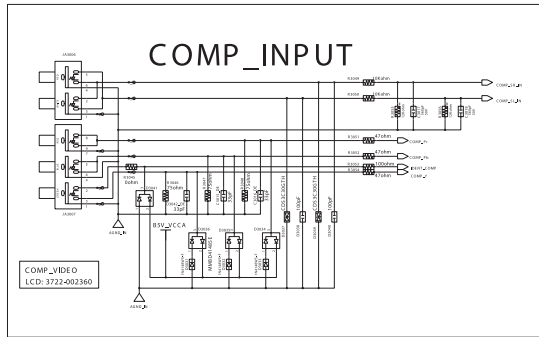
## DVI SOUND INPUT



## Service\_ATV & DTV



## COMP\_INPUT

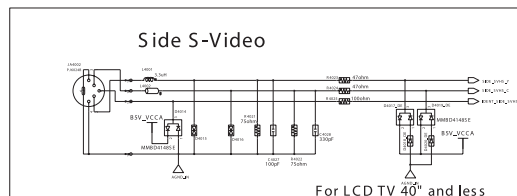
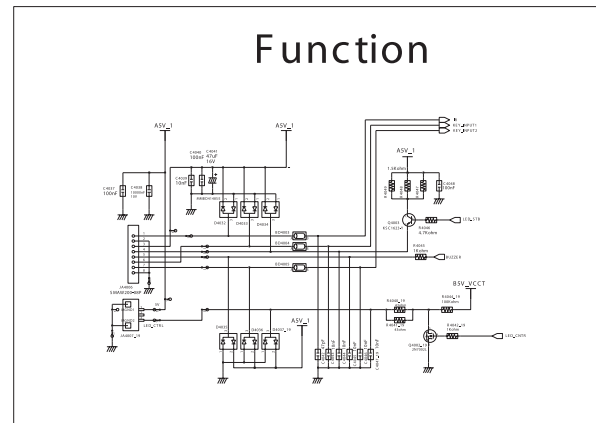
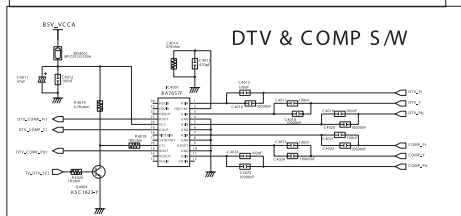
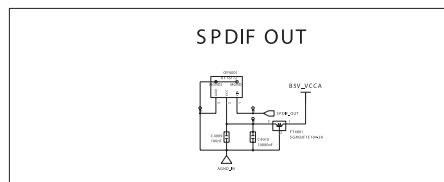
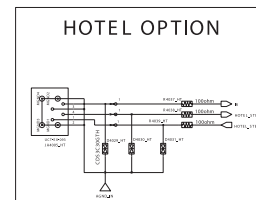
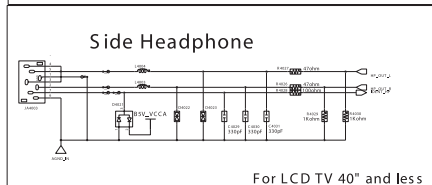
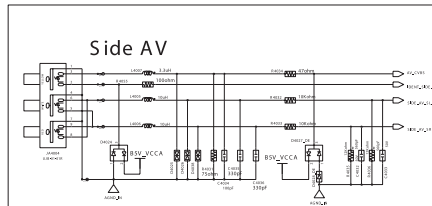
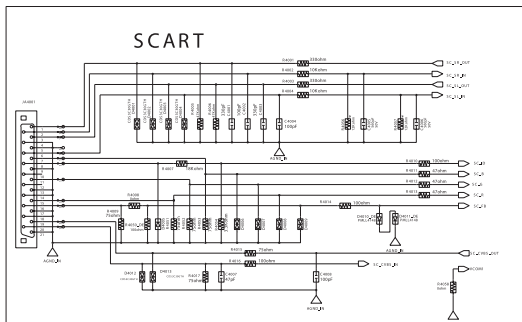


COMP\_VIDEO  
LCD: 3722-002360

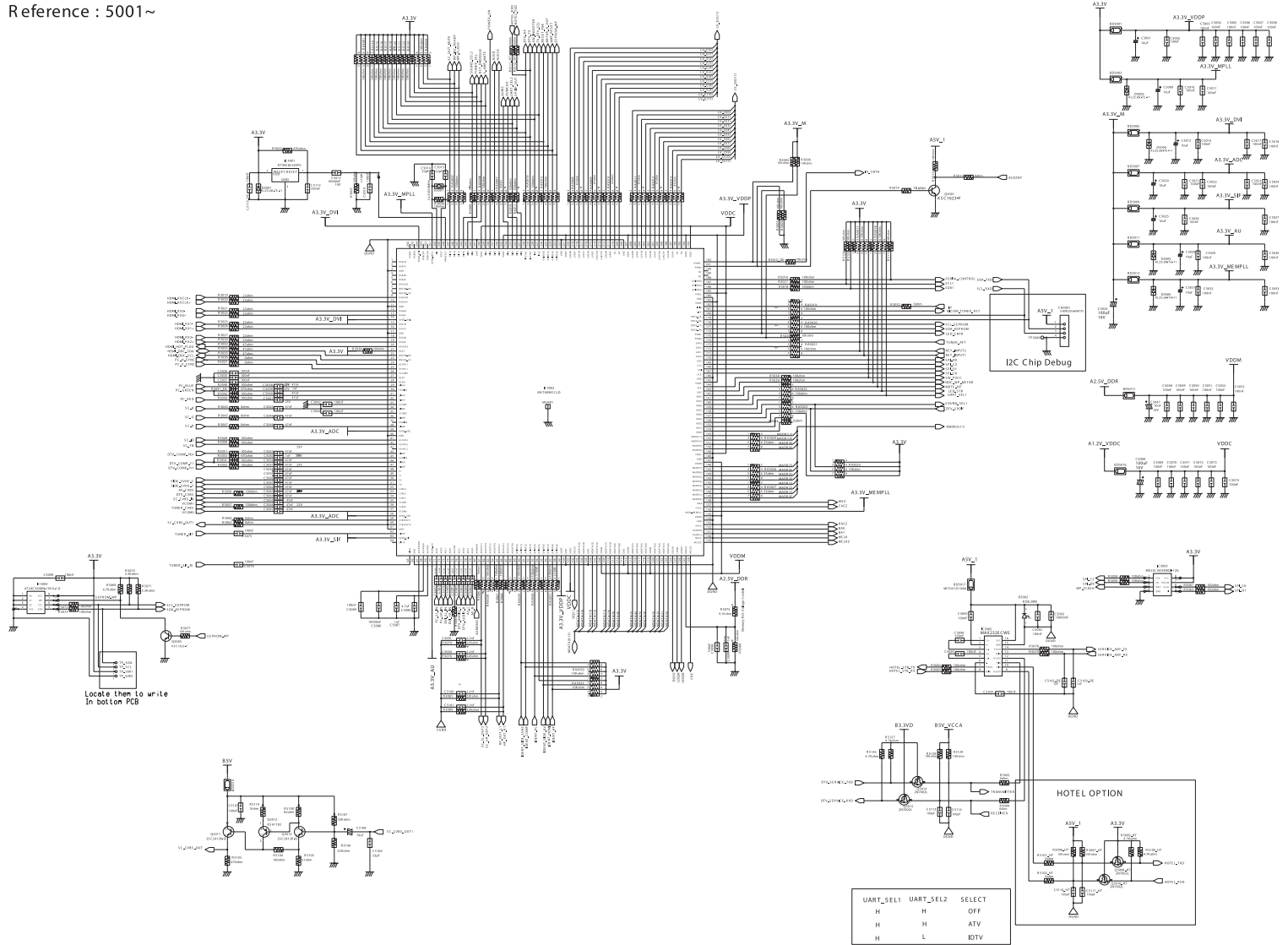
-This Document can not be used without Samsung's authorization.

9-4 Input & Output jack II Schematic Diagram

Reference : 4001~



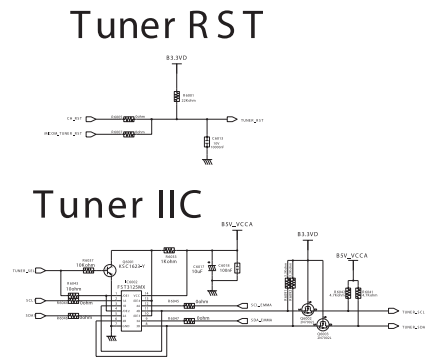
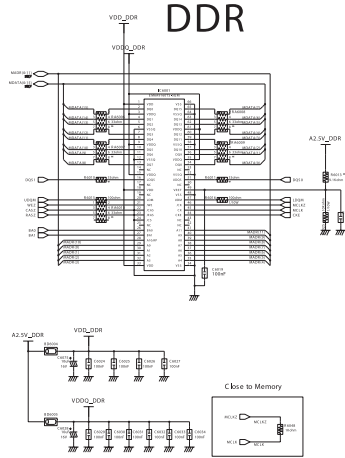
Reference : 5001~



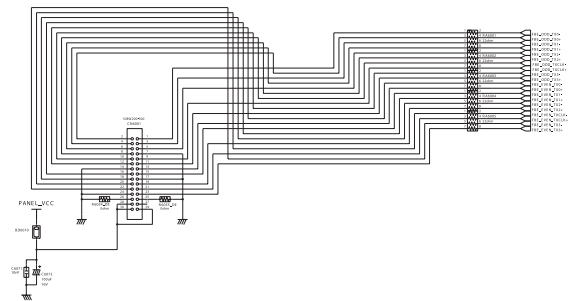
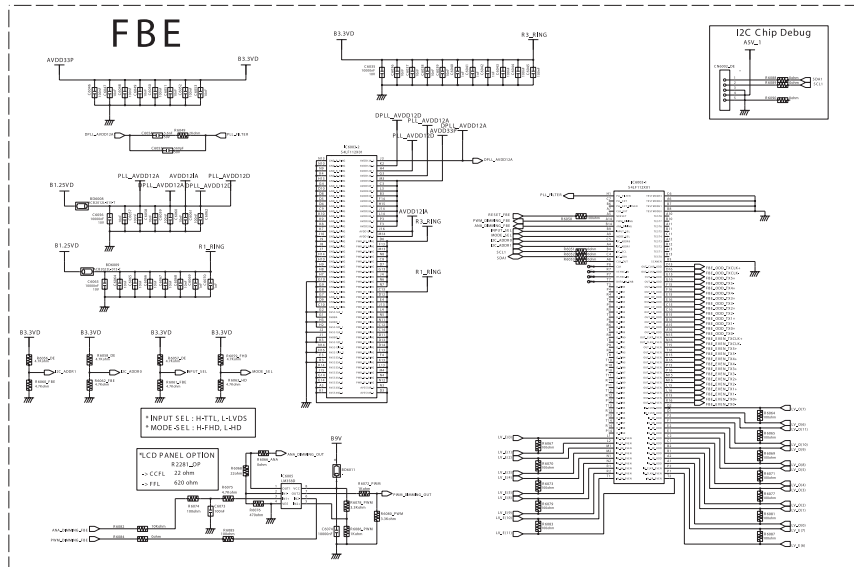
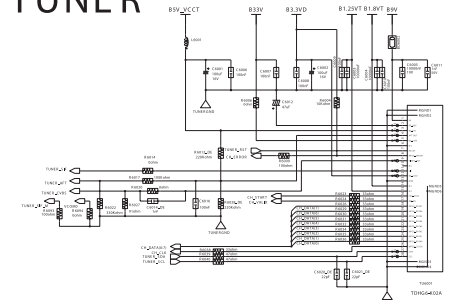
-This Document can not be used without Samsung 's authorization.

9-6 DDR & Tuner Schematic Diagram

Reference : 6001~



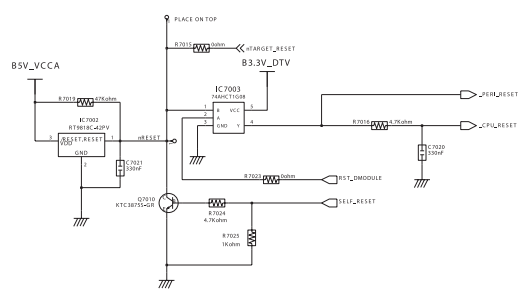
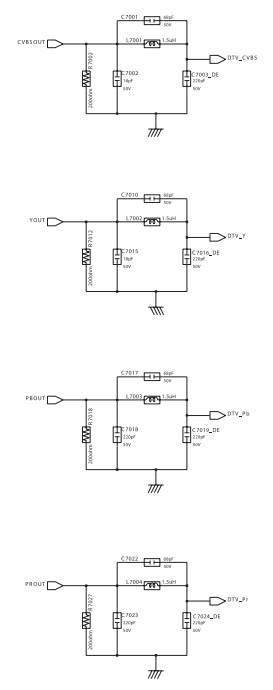
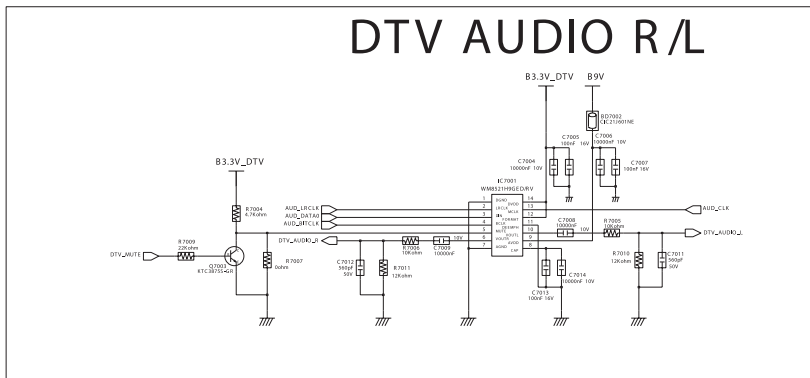
### TUNER



Near to Connector

### 9-7 DTV Reset & AV out Schematic Diagram

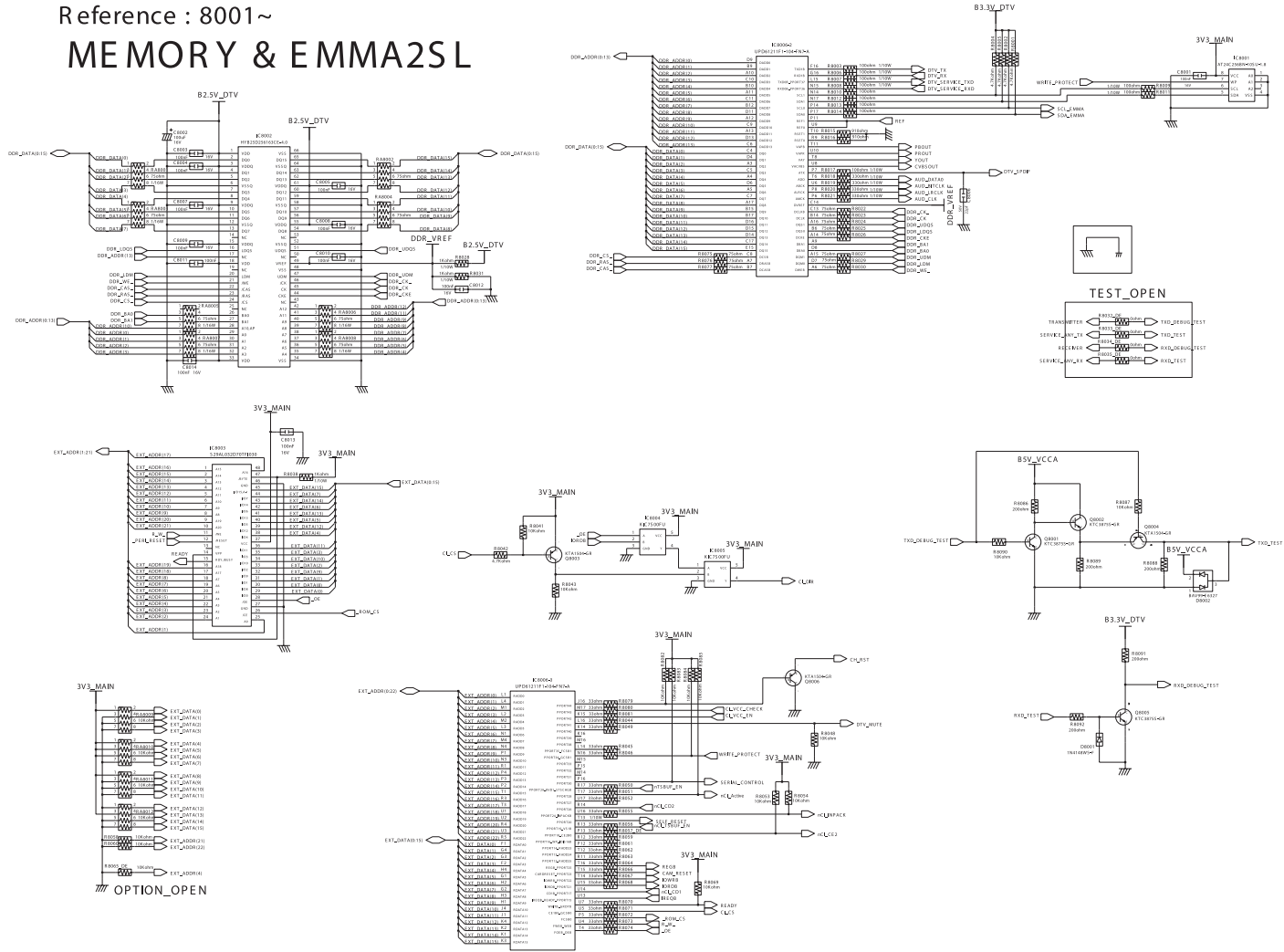
Reference : 7001~



-This Document can not be used without Samsung 's authorization.

9-8 DTV Memory & EMMA2SL Schematic Diagram

Reference : 8001~  
MEMORY & EMMA2SL



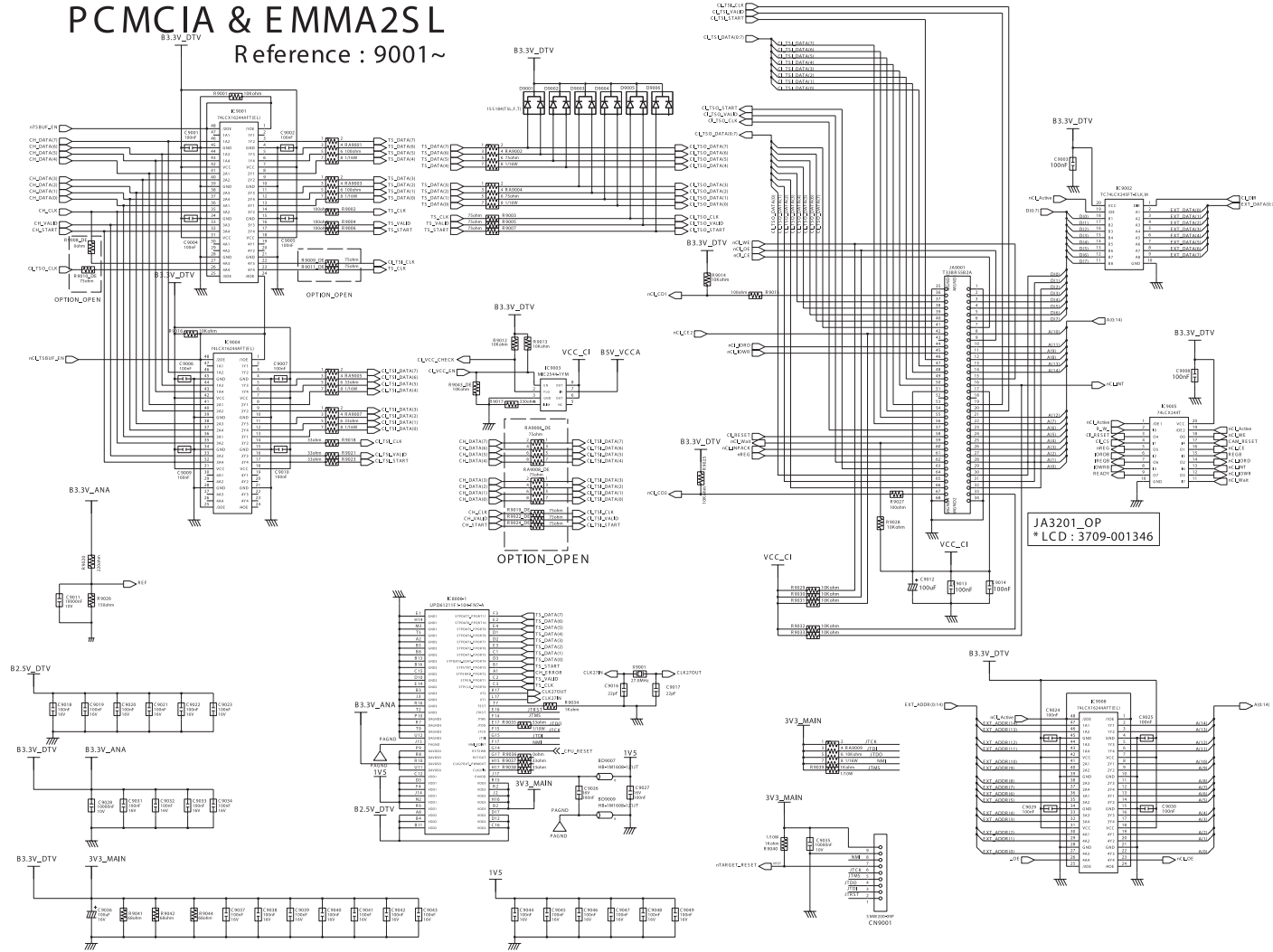
OPEN PART LIST

- ODR306
- ODR308
- ODR310
- ODR312
- ODR205
- ODR200
- ODF300
- ODJ200
- ODG601
- ODG602
- ODR200
- ODR201
- ODR202
- ODR203
- ODR313



# 9-9 PCMCIA & EMMA2SL Schematic Diagram

## PCMCIA & EMMA2SL Reference : 9001~



### OPEN PART LIST

- OC102
- ODC105
- ODC106
- ODC109
- ODC116
- ODB103
- ODR134