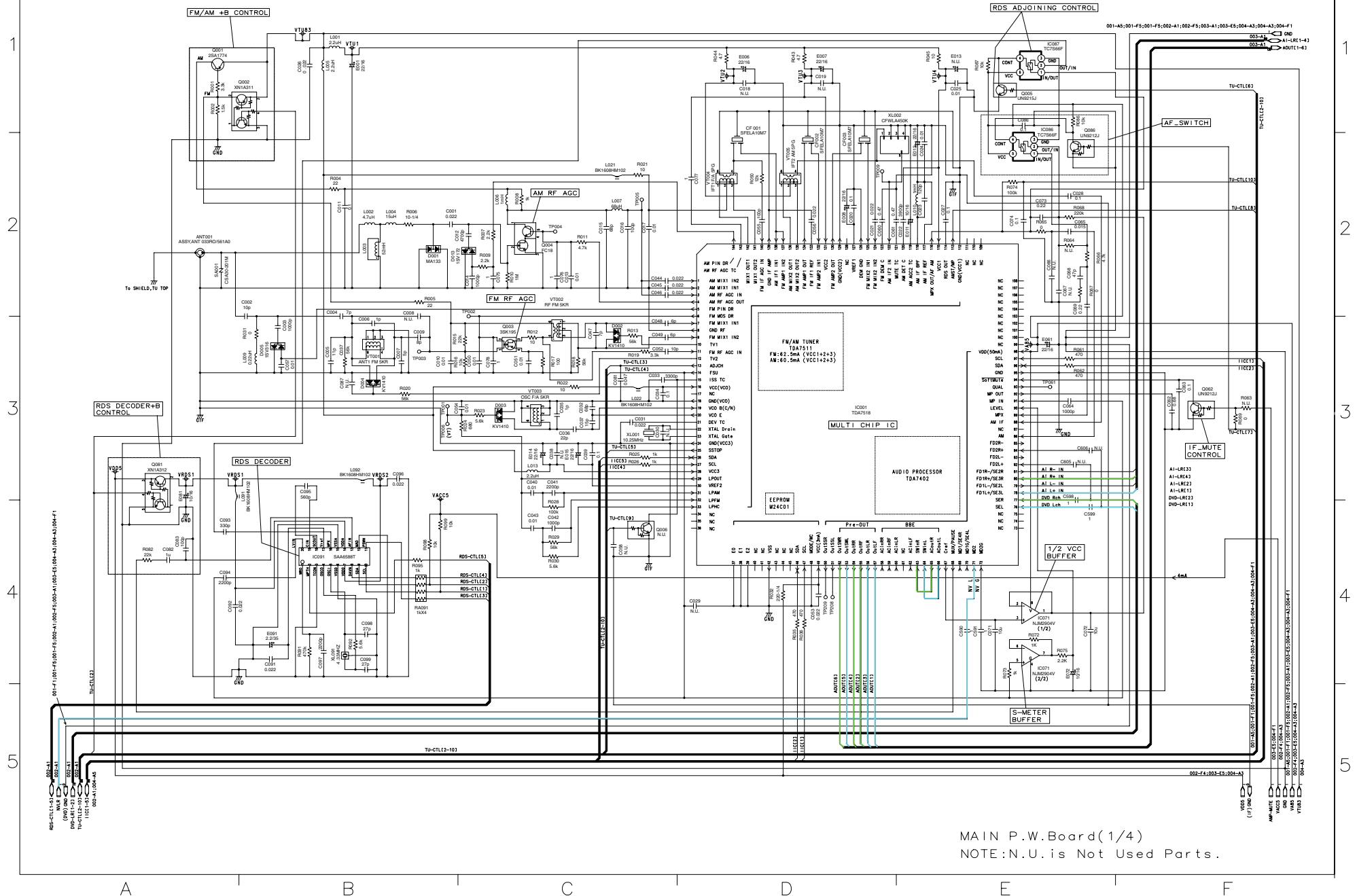
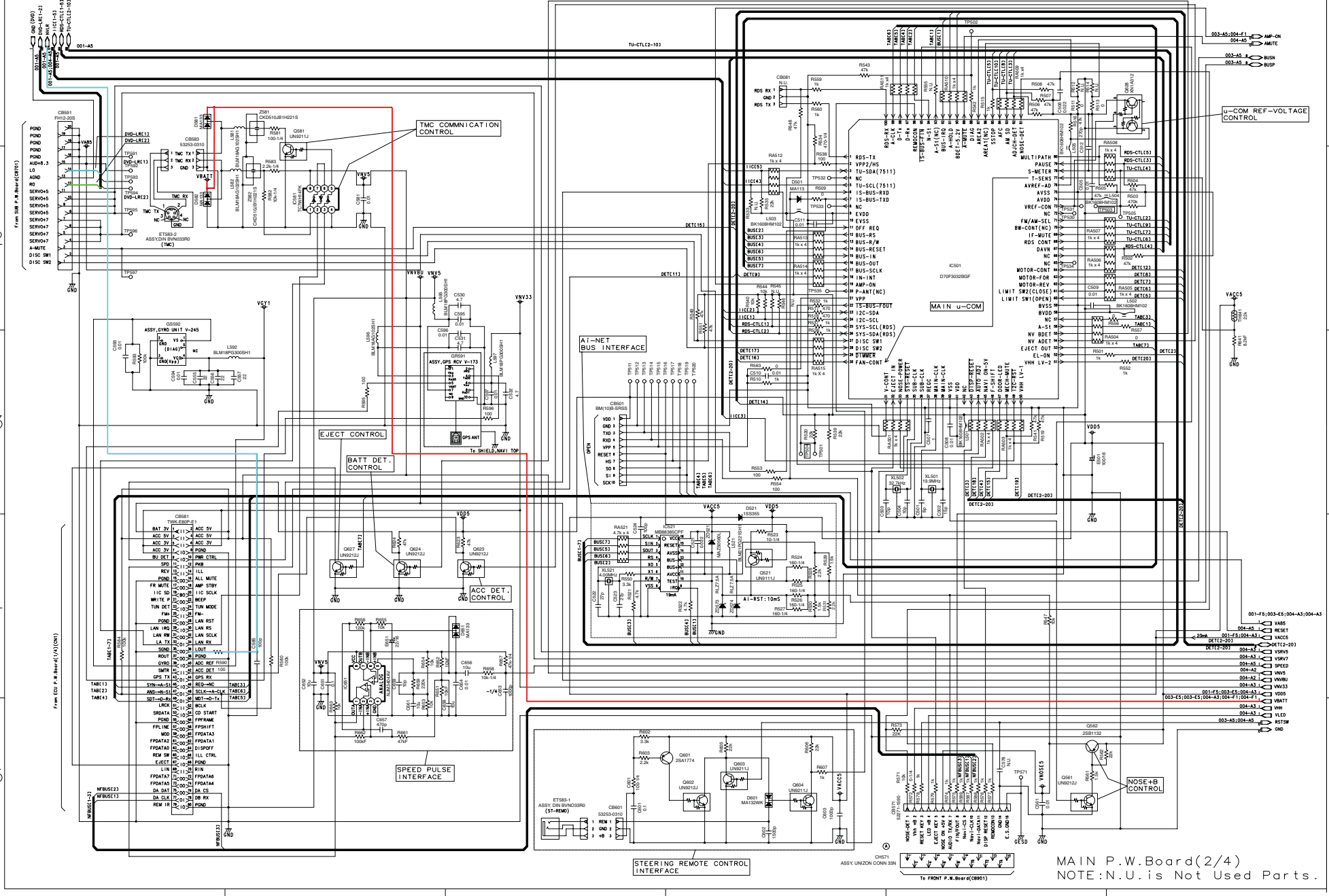


Schematic Diagram(1/14)

INA-N333RR



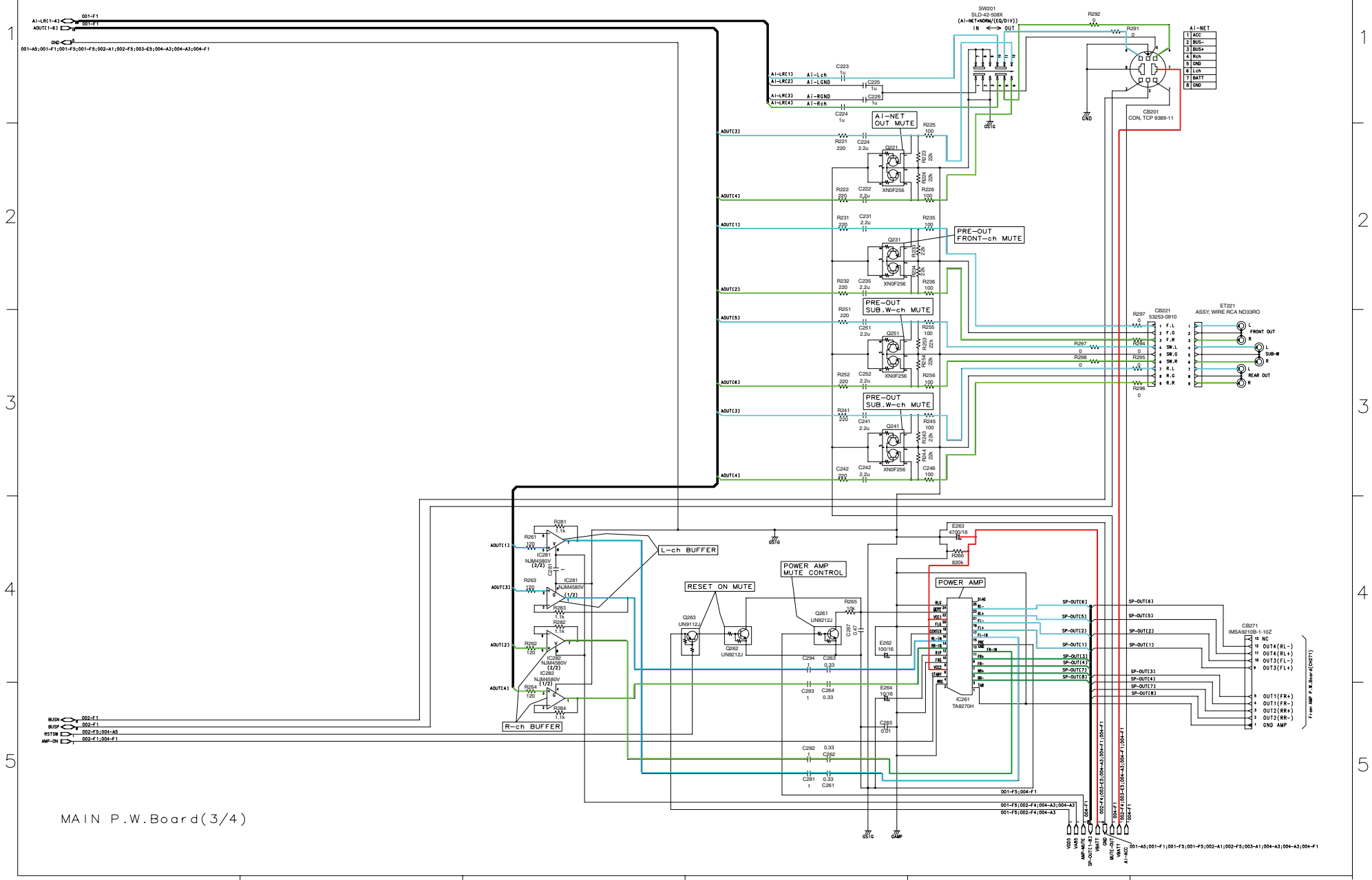
Schematic Diagram(2/14)



MAIN P.W.Board(2/4)  
NOTE:N.U.is Not Used Parts.

Schematic Diagram(3/14)

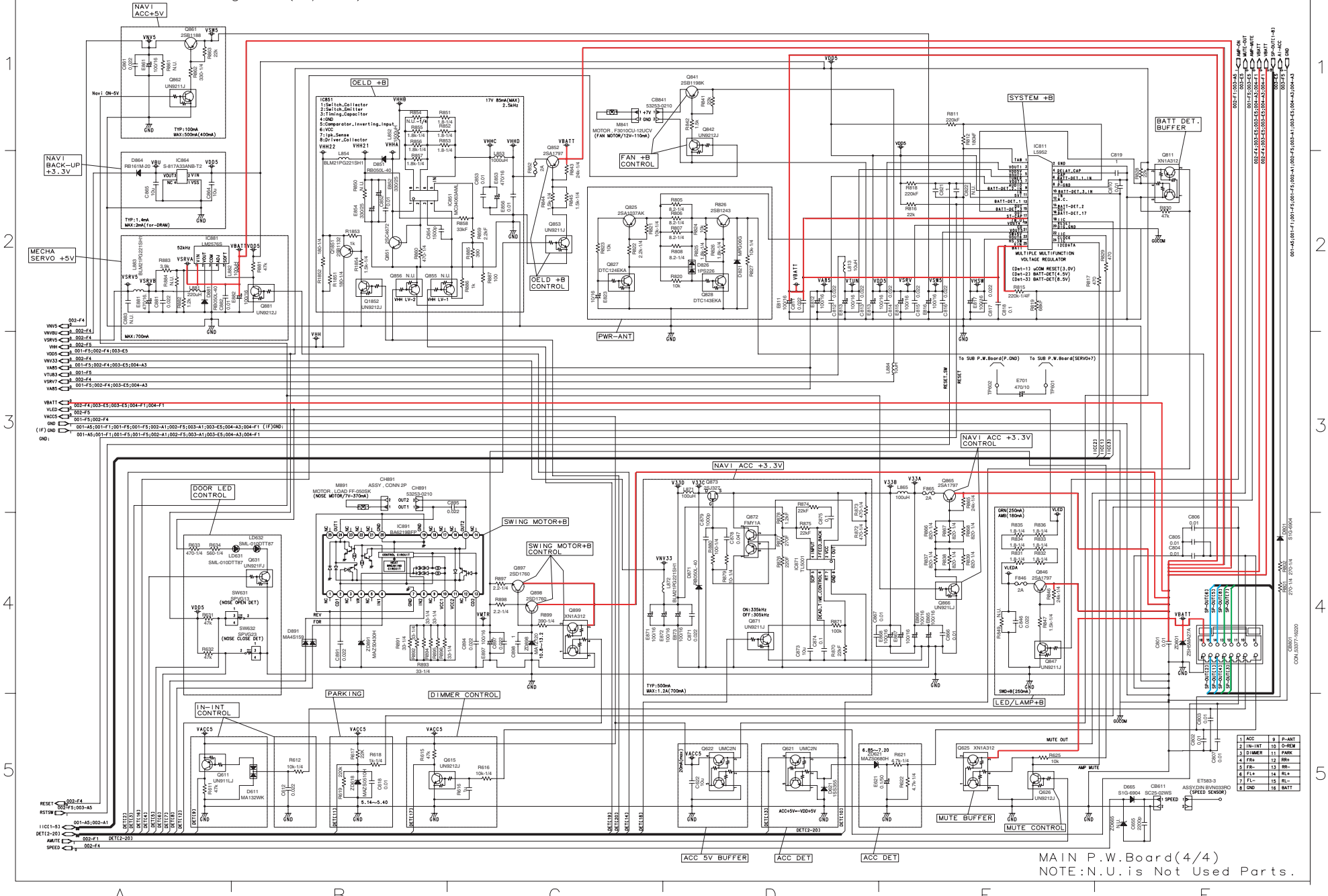
INA-N333RR



MAIN P.W. Board(3/4)

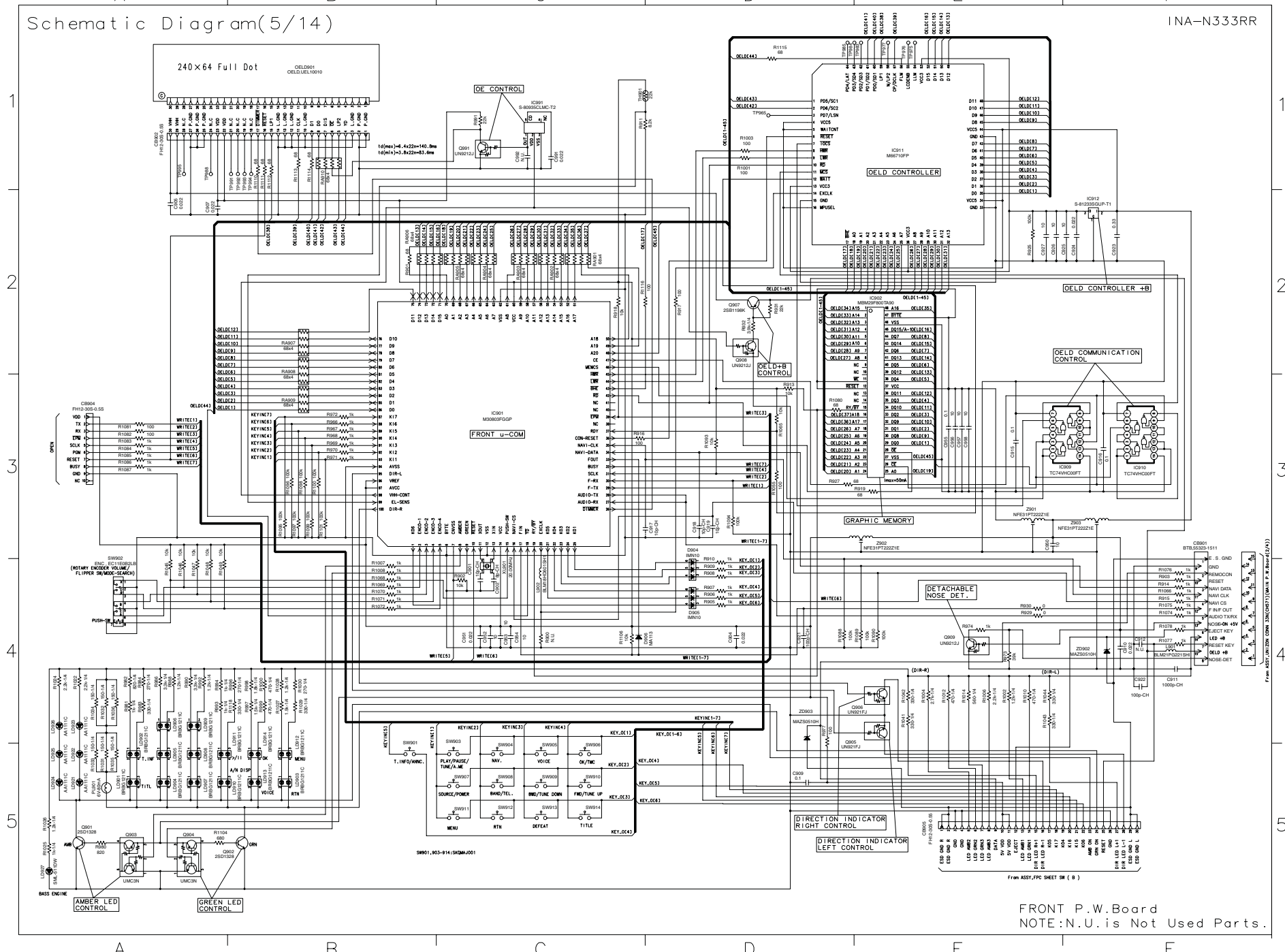
Schematic Diagram(4/14)

INA-N333RR



MAIN P.W. Board(4/4)  
NOTE:N.U. is Not Used Parts.

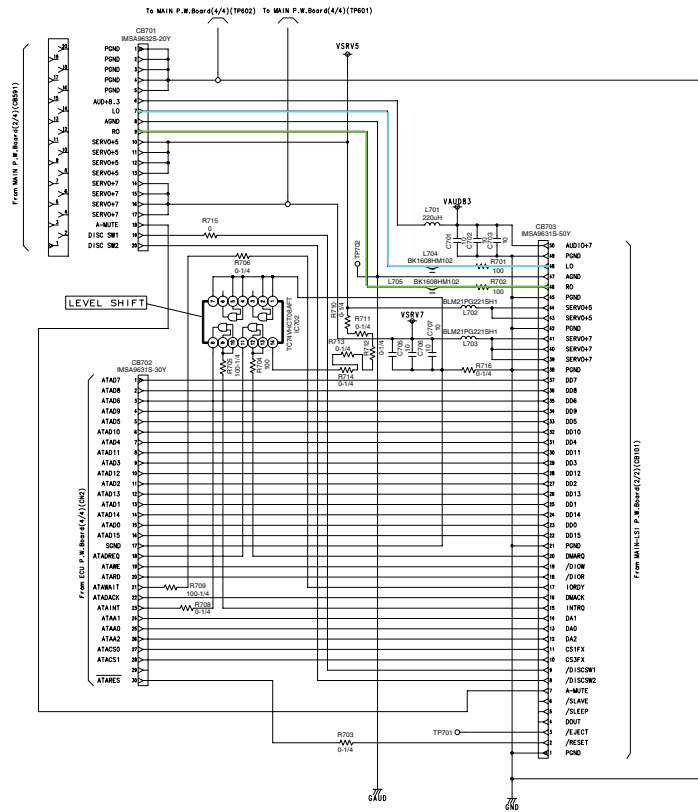
Schematic Diagram(5/14) INA-N333RR



FRONT P.W.Board  
NOTE: N.U. is Not Used Parts.

Schematic Diagram(6/14)

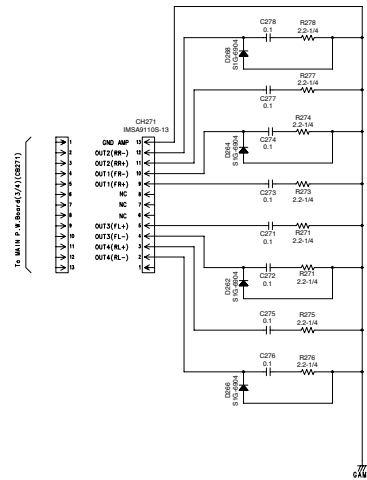
INA-N333RR



SUB P.W. Board

Schematic Diagram(7/14)

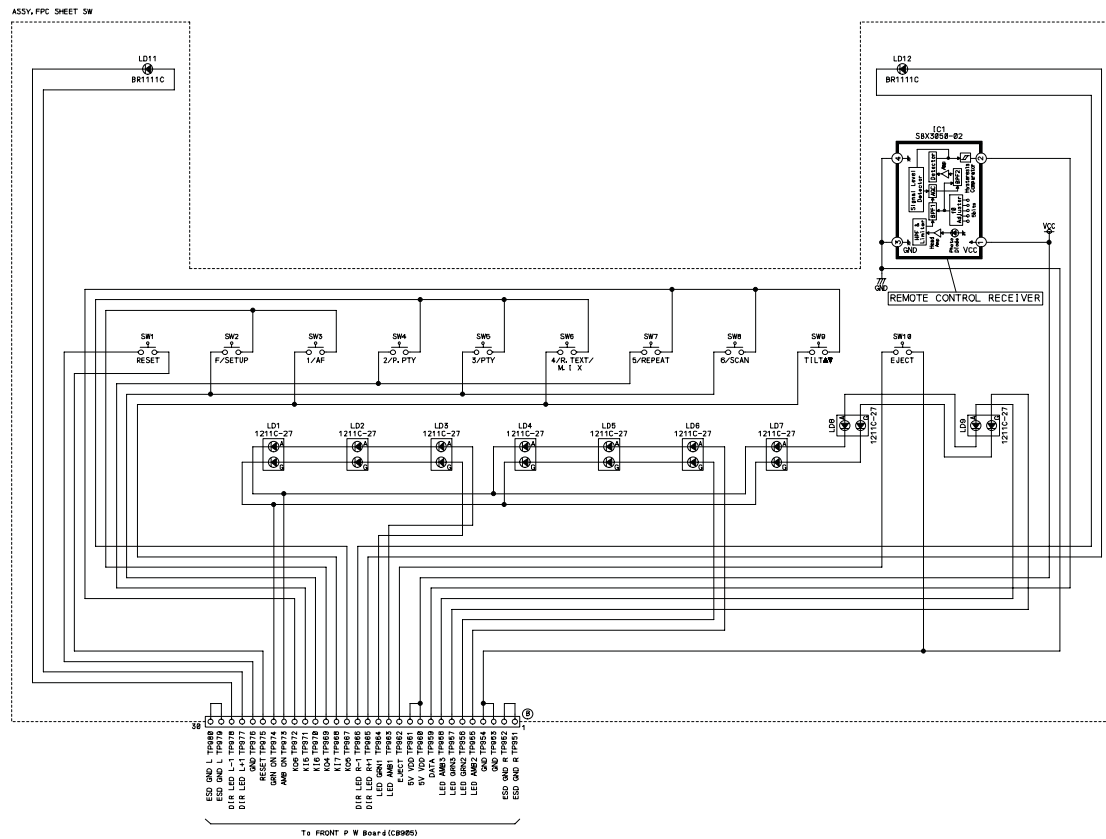
INA-N333RR



AMP P.W. Board

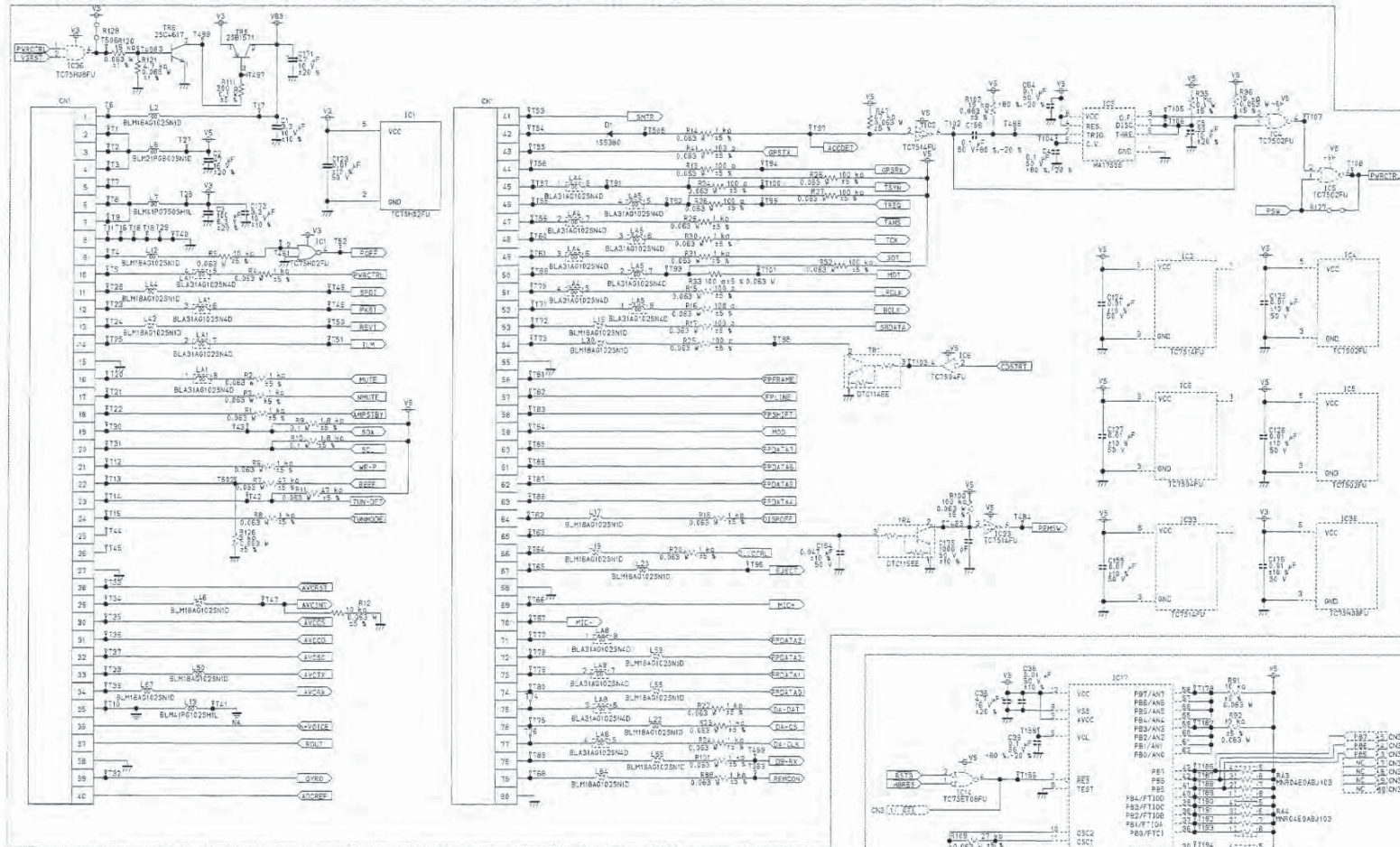
Schematic Diagram (8/14)

INA-N333RR



NOTE: Parts mounted inside of ASSY, FPC SHEET SW are not described on the Electrical Parts List.

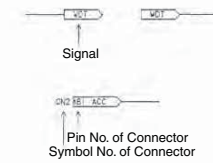




NOTE :

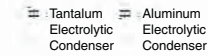
1. This is the control circuit of the Assy., ECU P.W.Board of INA-N333R.
2. This ECU has three types of connectors CN1 -CN3 for connection of input/output to/from an external unit, and is provided on the P.W.Board.
3. For the convenience of drawing the circuit diagram, the signals are expressed by the symbols shown in the notes, but the signals having the same name are connected.

(Example)



4. AS to the electric signal, the element enclosed by a broken line indicates a composite elements, based on JIS C 0301.

5. In a capacitor, the element symbol is as shown below.

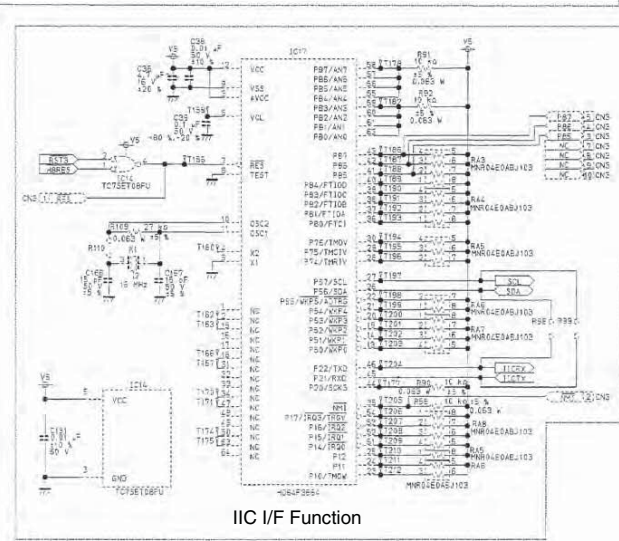
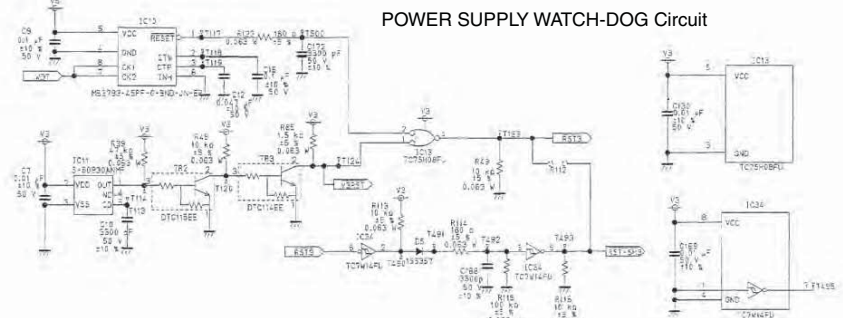


6. For the convenience of drawing the circuit diagram, the following rough sketch is used. The meaning is as shown below.

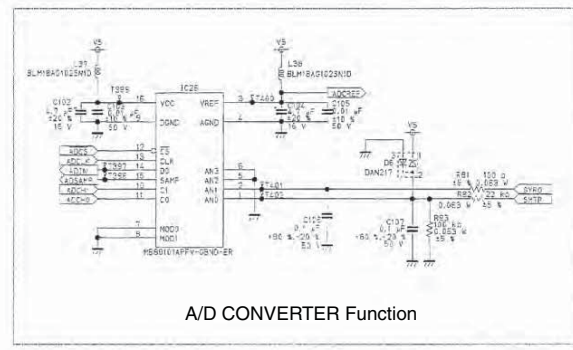
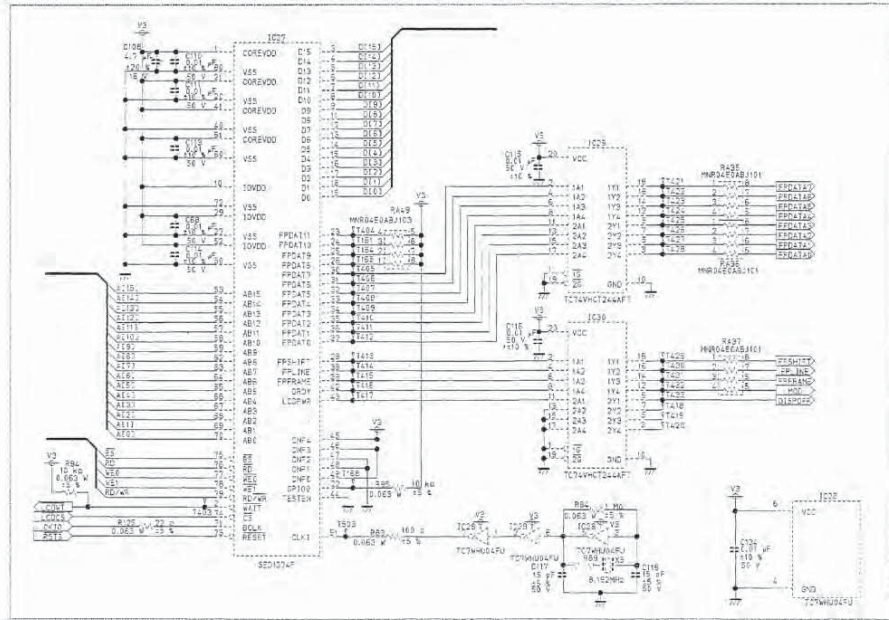
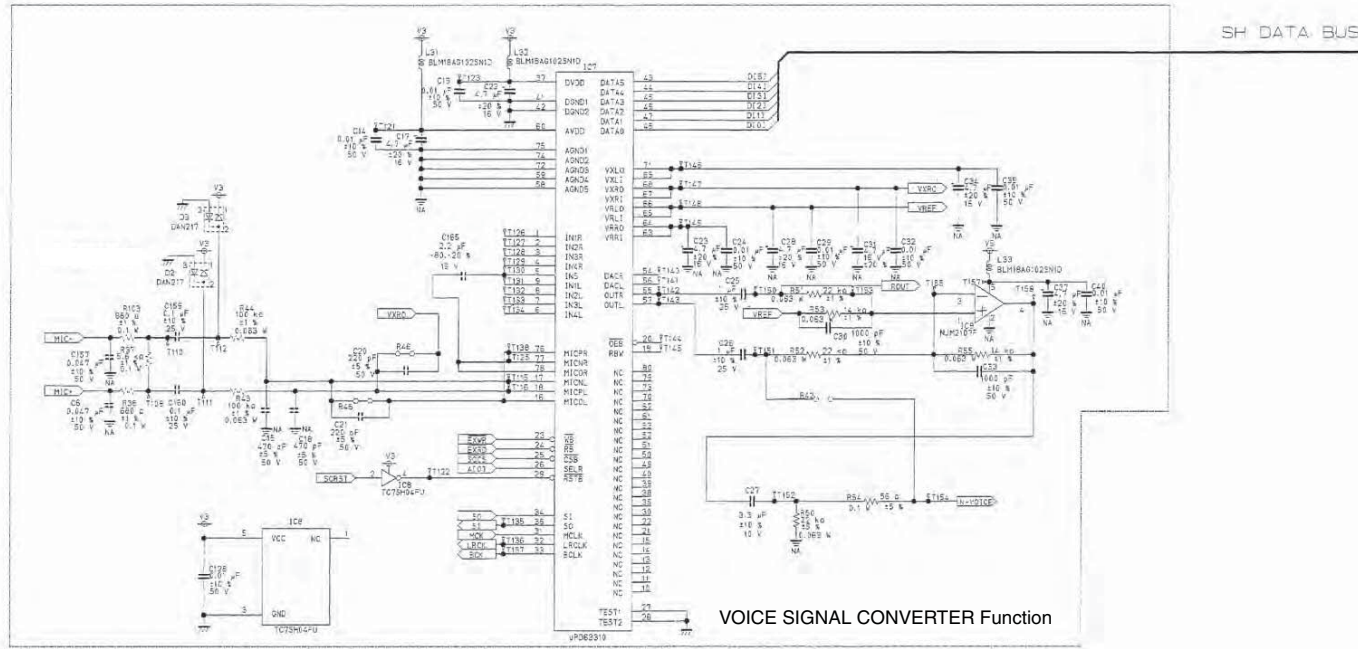


In the above description, a thick line is called a BUS line and the BUS line having the same name are connected.

7. In the circuit diagram, elements indicated by a broken line are not assembled, but a circuit is provided on the P.W.Board for the change in specifications.



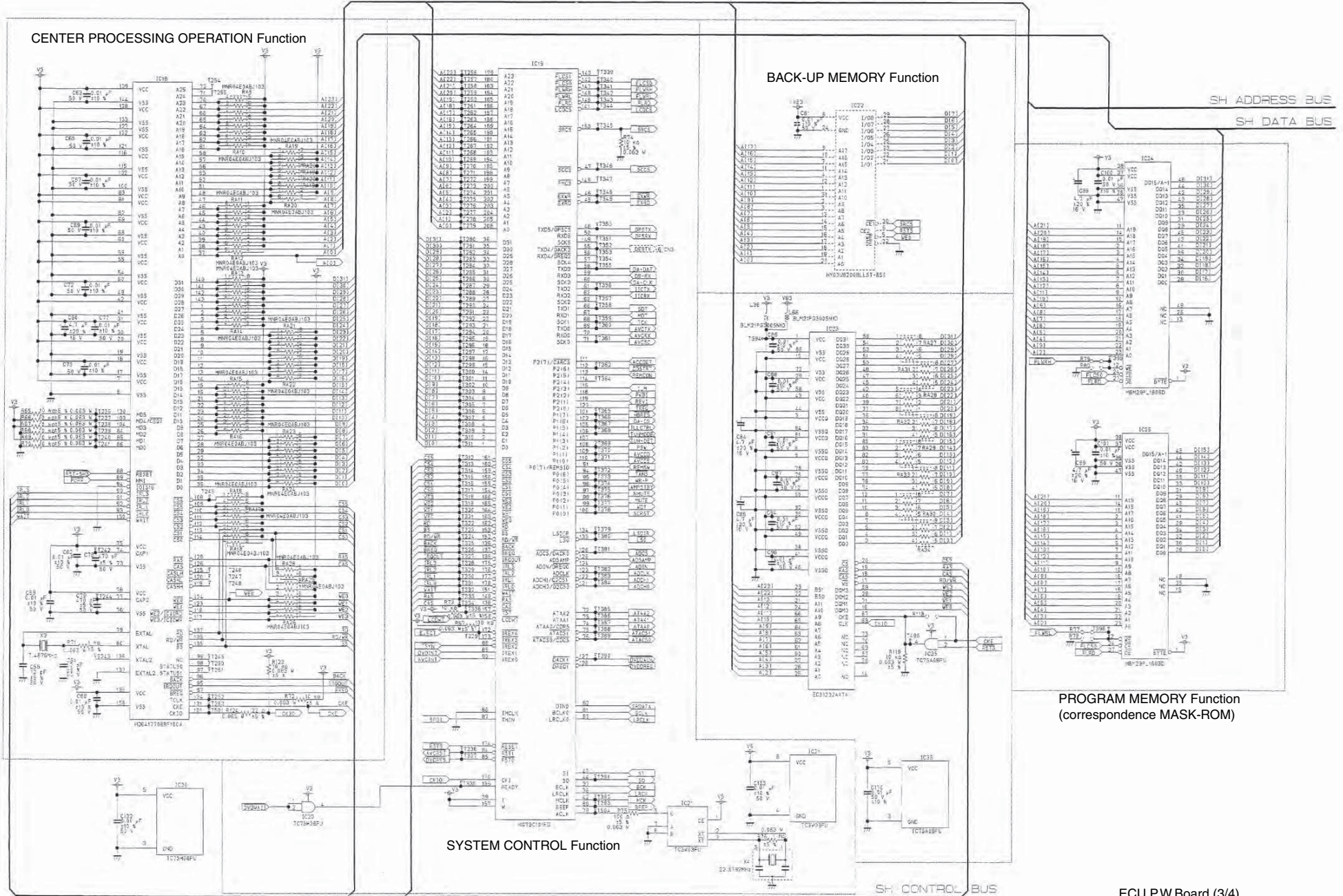
Scematic Diagram (10/14)



ECU P.W.Board (2/4)

"Schematic Diagram cannot use a reference function"

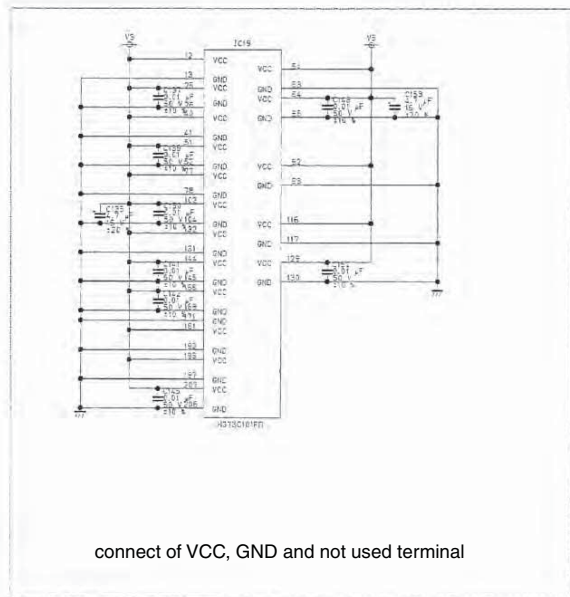
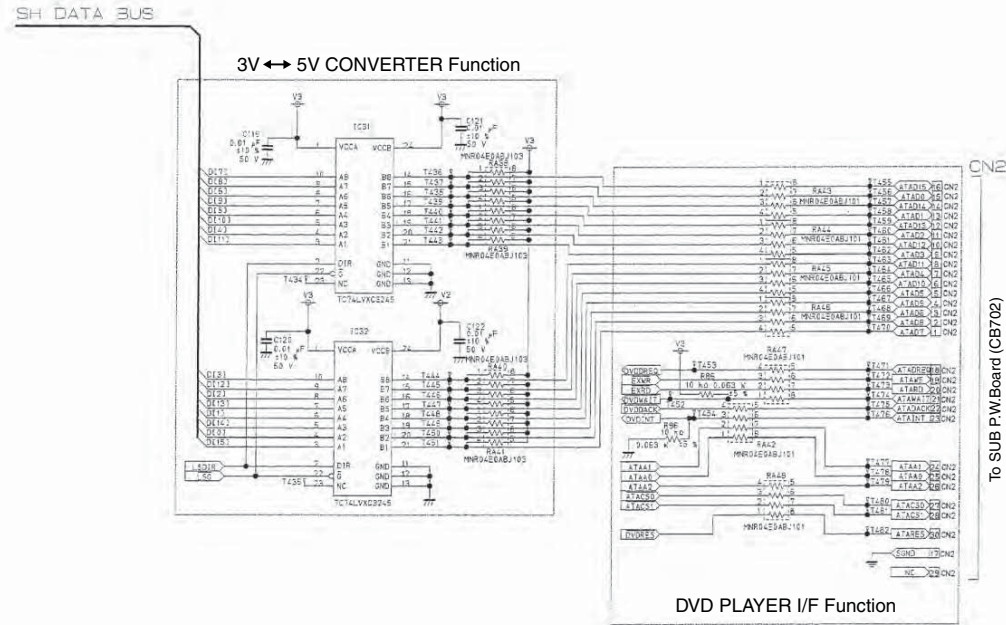
Schematic Diagram (11/14)



ECU P.W.Board (3/4)

"Schematic Diagram cannot use a reference function"

Schematic Diagram (12/14)



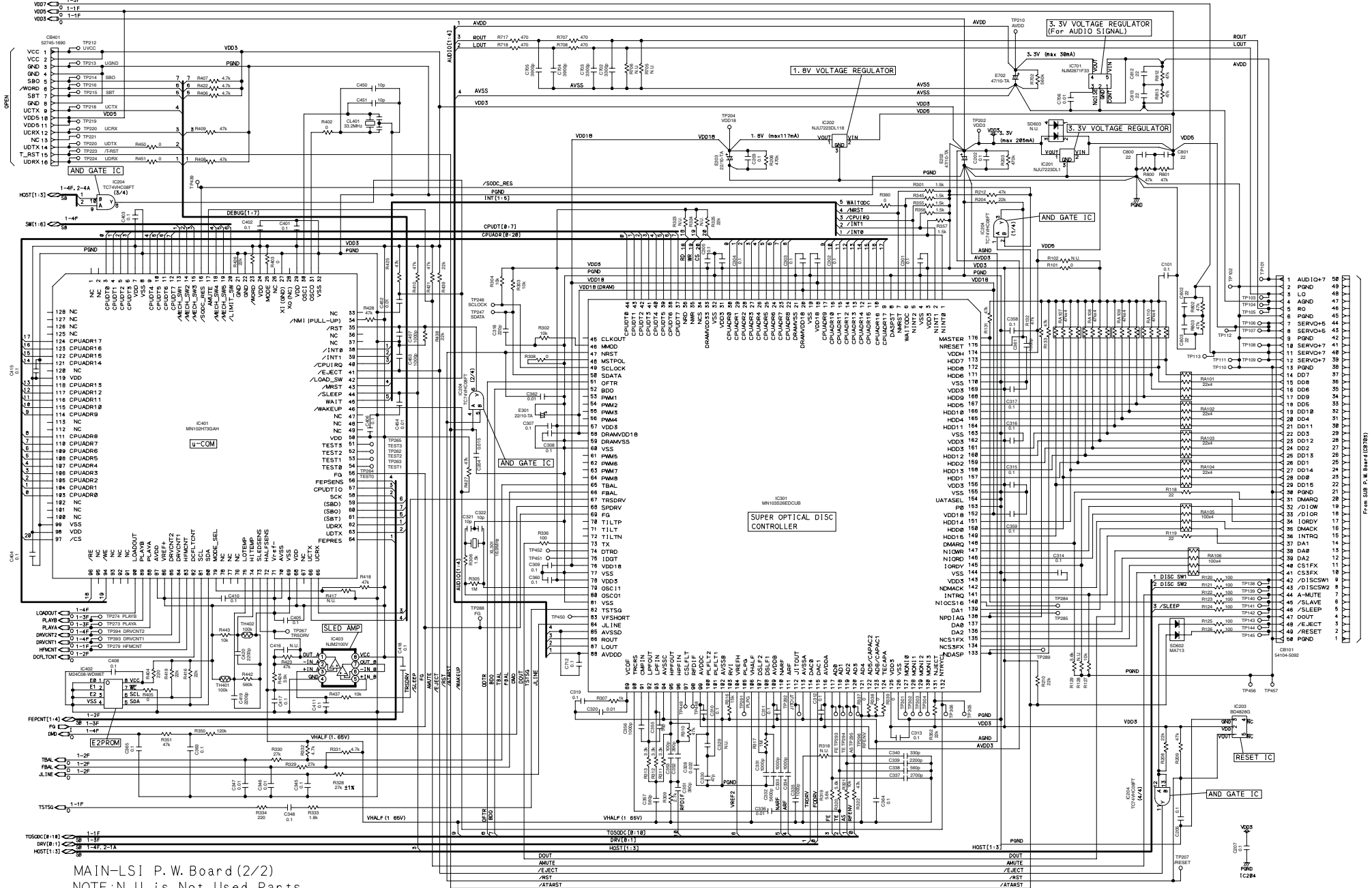
ECU P.W.Board (4/4)

"Schematic Diagram cannot use a reference function"



Schematic Diagram (14/14)

INA-N333RR



MAIN-LSI P.W. Board (2/2)  
NOTE: N.U. is Not Used Parts.