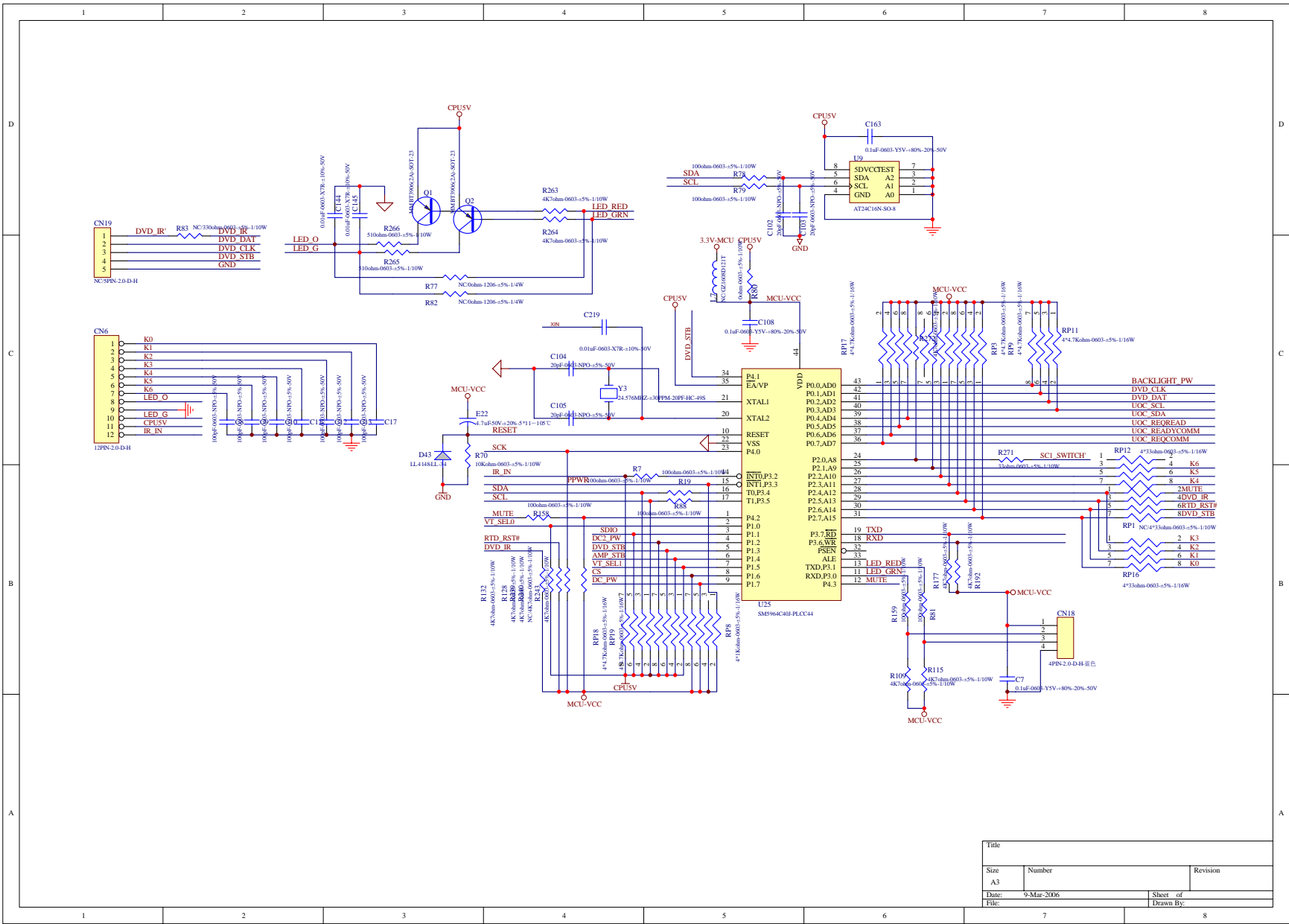
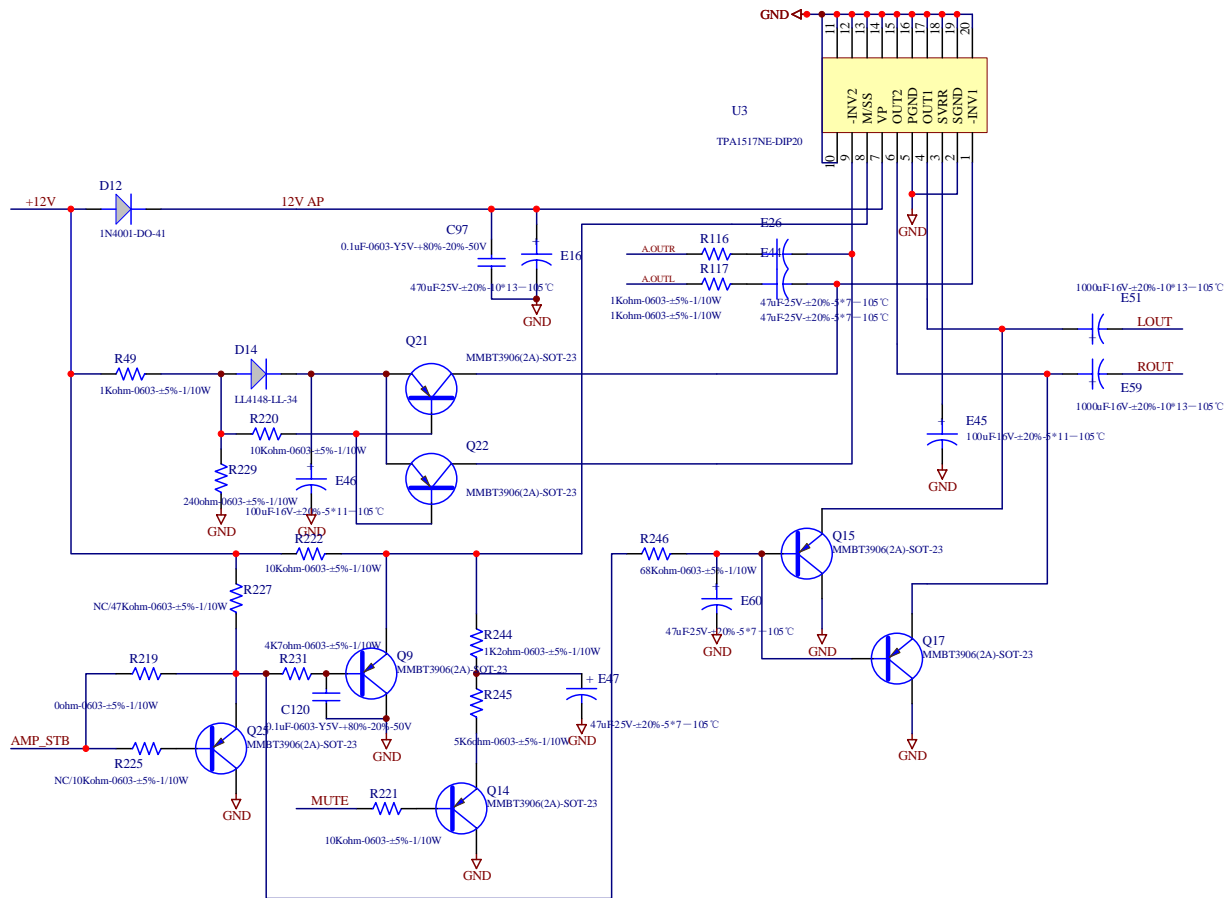


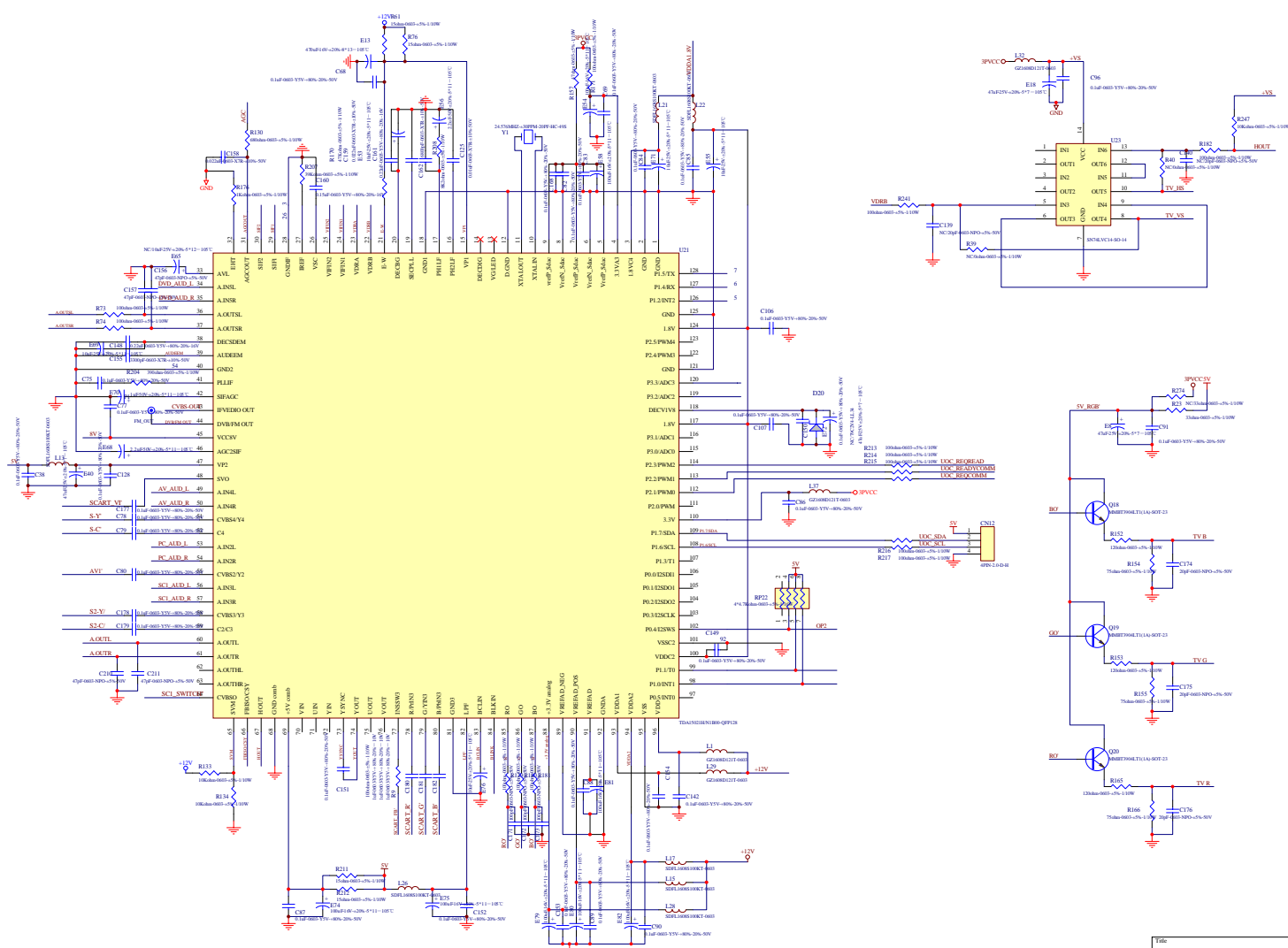
Title		
Size	Number	Revision
A3		
Date:	9-Mar-2006	Sheet of
File:		Drawn By:



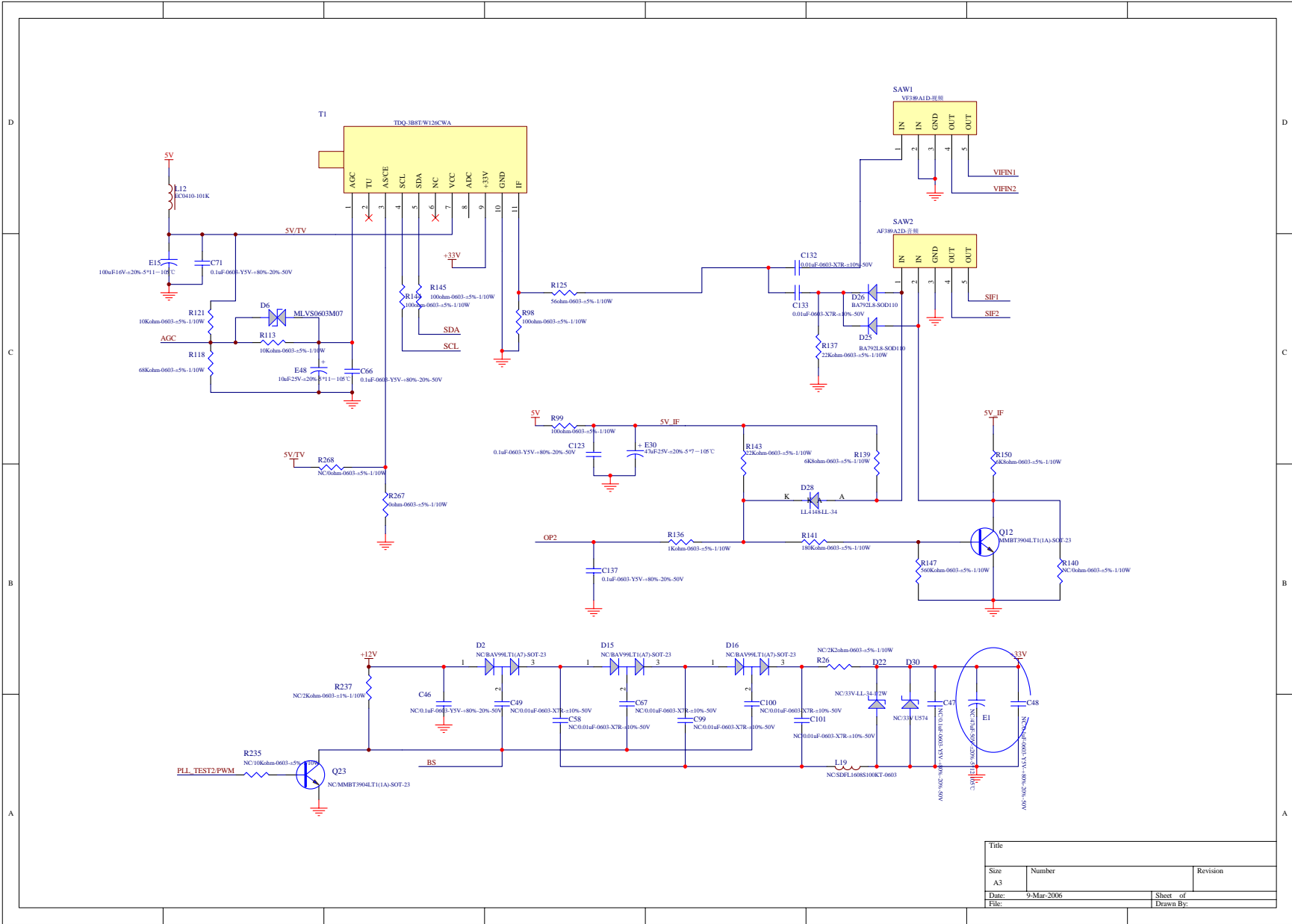
Title		
Size	Number	Revision
A3		
Date:	9-Mar-2006	Sheet of
File:		Drawn By:



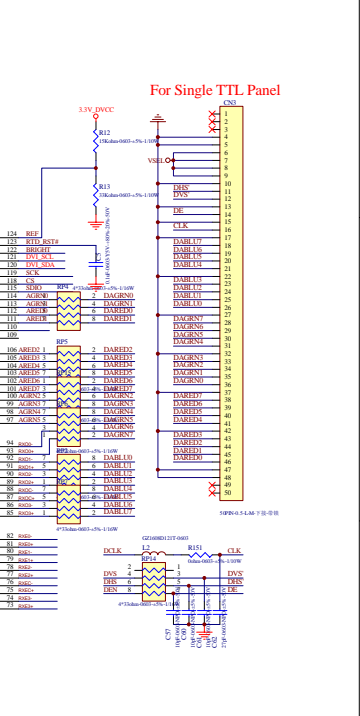
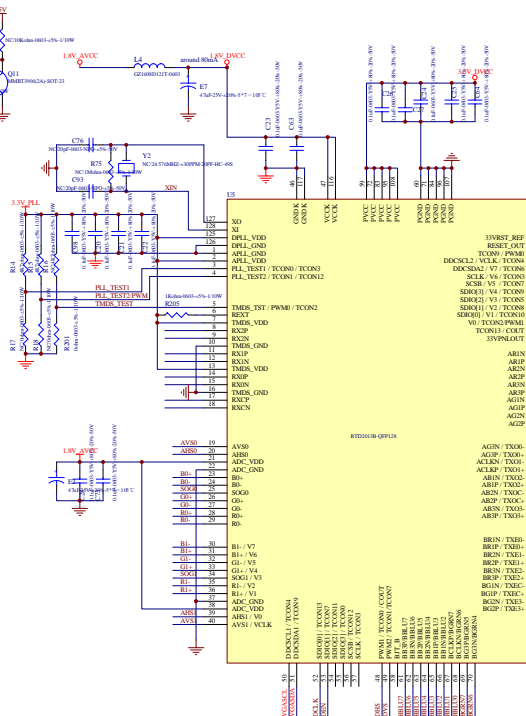
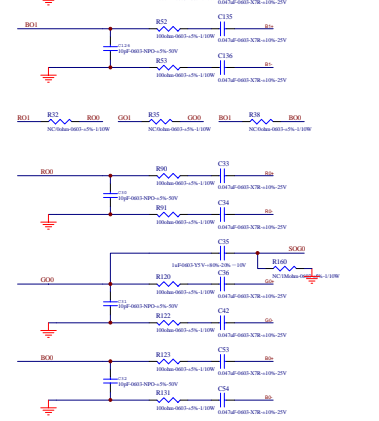
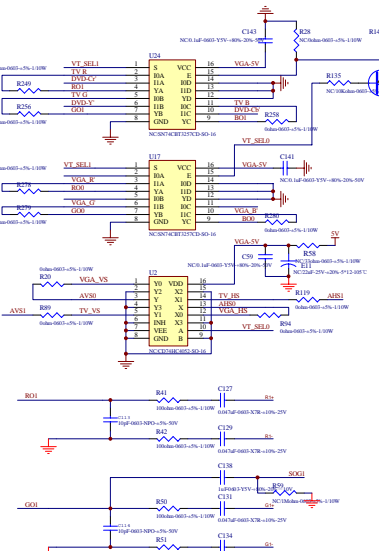
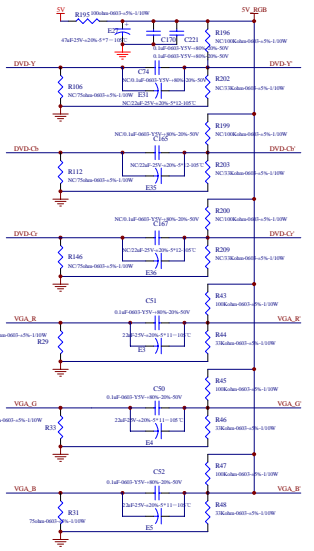
Title		
Size	Number	Revision
A4		
Date:	9-Mar-2006	Sheet of
File:		Drawn By:



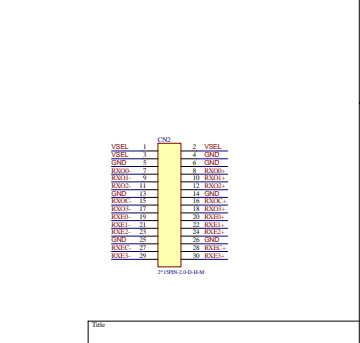
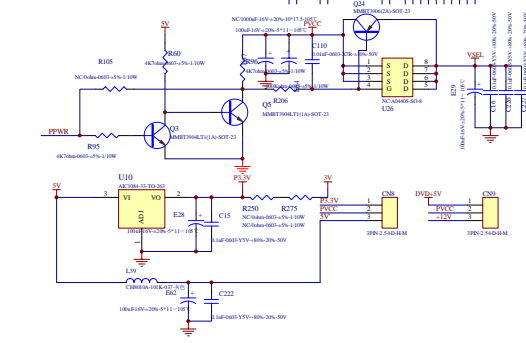
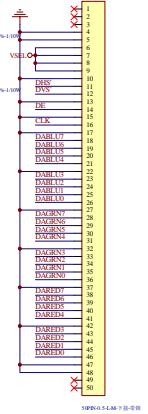
Title			
Size	Number	Revision	
A2			
Drawn	W.M. Sosa	Sheet	of
File:		Drawn By:	



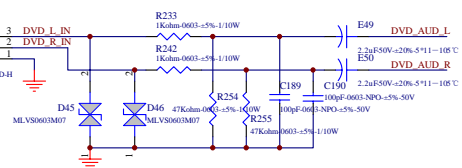
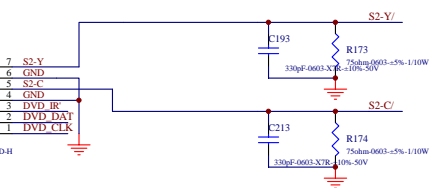
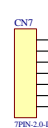
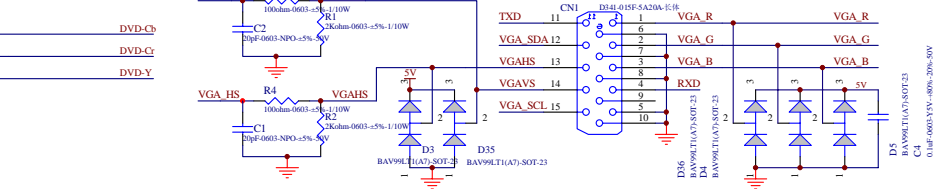
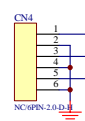
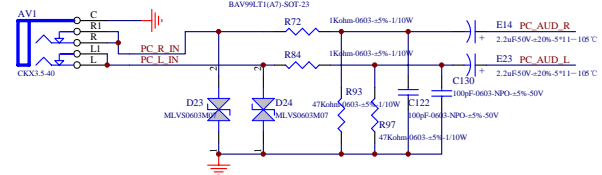
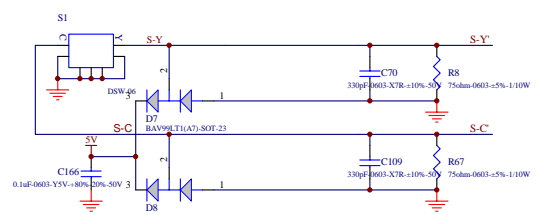
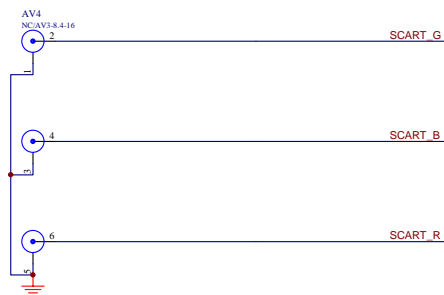
Title		
Size	Number	Revision
A3		
Date:	9-Mar-2006	Sheet of
File:		Drawn By:



For Single TTL Panel



No.	Rev.	Description
1	1	Initial Release
2	2	Rev. 1.1
3	3	Rev. 1.2
4	4	Rev. 1.3
5	5	Rev. 1.4
6	6	Rev. 1.5
7	7	Rev. 1.6
8	8	Rev. 1.7
9	9	Rev. 1.8
10	10	Rev. 1.9
11	11	Rev. 2.0
12	12	Rev. 2.1
13	13	Rev. 2.2
14	14	Rev. 2.3
15	15	Rev. 2.4
16	16	Rev. 2.5
17	17	Rev. 2.6
18	18	Rev. 2.7
19	19	Rev. 2.8
20	20	Rev. 2.9
21	21	Rev. 3.0
22	22	Rev. 3.1
23	23	Rev. 3.2
24	24	Rev. 3.3
25	25	Rev. 3.4
26	26	Rev. 3.5
27	27	Rev. 3.6
28	28	Rev. 3.7
29	29	Rev. 3.8
30	30	Rev. 3.9
31	31	Rev. 4.0
32	32	Rev. 4.1
33	33	Rev. 4.2
34	34	Rev. 4.3
35	35	Rev. 4.4
36	36	Rev. 4.5
37	37	Rev. 4.6
38	38	Rev. 4.7
39	39	Rev. 4.8
40	40	Rev. 4.9
41	41	Rev. 5.0
42	42	Rev. 5.1
43	43	Rev. 5.2
44	44	Rev. 5.3
45	45	Rev. 5.4
46	46	Rev. 5.5
47	47	Rev. 5.6
48	48	Rev. 5.7
49	49	Rev. 5.8
50	50	Rev. 5.9
51	51	Rev. 6.0
52	52	Rev. 6.1
53	53	Rev. 6.2
54	54	Rev. 6.3
55	55	Rev. 6.4
56	56	Rev. 6.5
57	57	Rev. 6.6
58	58	Rev. 6.7
59	59	Rev. 6.8
60	60	Rev. 6.9
61	61	Rev. 7.0
62	62	Rev. 7.1
63	63	Rev. 7.2
64	64	Rev. 7.3
65	65	Rev. 7.4
66	66	Rev. 7.5
67	67	Rev. 7.6
68	68	Rev. 7.7
69	69	Rev. 7.8
70	70	Rev. 7.9
71	71	Rev. 8.0
72	72	Rev. 8.1
73	73	Rev. 8.2
74	74	Rev. 8.3
75	75	Rev. 8.4
76	76	Rev. 8.5
77	77	Rev. 8.6
78	78	Rev. 8.7
79	79	Rev. 8.8
80	80	Rev. 8.9
81	81	Rev. 9.0
82	82	Rev. 9.1
83	83	Rev. 9.2
84	84	Rev. 9.3
85	85	Rev. 9.4
86	86	Rev. 9.5
87	87	Rev. 9.6
88	88	Rev. 9.7
89	89	Rev. 9.8
90	90	Rev. 9.9
91	91	Rev. 10.0
92	92	Rev. 10.1
93	93	Rev. 10.2
94	94	Rev. 10.3
95	95	Rev. 10.4
96	96	Rev. 10.5
97	97	Rev. 10.6
98	98	Rev. 10.7
99	99	Rev. 10.8
100	100	Rev. 10.9
101	101	Rev. 11.0
102	102	Rev. 11.1
103	103	Rev. 11.2
104	104	Rev. 11.3
105	105	Rev. 11.4
106	106	Rev. 11.5
107	107	Rev. 11.6
108	108	Rev. 11.7
109	109	Rev. 11.8
110	110	Rev. 11.9
111	111	Rev. 12.0
112	112	Rev. 12.1
113	113	Rev. 12.2
114	114	Rev. 12.3
115	115	Rev. 12.4
116	116	Rev. 12.5
117	117	Rev. 12.6
118	118	Rev. 12.7
119	119	Rev. 12.8
120	120	Rev. 12.9
121	121	Rev. 13.0
122	122	Rev. 13.1
123	123	Rev. 13.2
124	124	Rev. 13.3
125	125	Rev. 13.4
126	126	Rev. 13.5
127	127	Rev. 13.6
128	128	Rev. 13.7
129	129	Rev. 13.8
130	130	Rev. 13.9
131	131	Rev. 14.0
132	132	Rev. 14.1
133	133	Rev. 14.2
134	134	Rev. 14.3
135	135	Rev. 14.4
136	136	Rev. 14.5
137	137	Rev. 14.6
138	138	Rev. 14.7
139	139	Rev. 14.8
140	140	Rev. 14.9
141	141	Rev. 15.0
142	142	Rev. 15.1
143	143	Rev. 15.2
144	144	Rev. 15.3
145	145	Rev. 15.4
146	146	Rev. 15.5
147	147	Rev. 15.6
148	148	Rev. 15.7
149	149	Rev. 15.8
150	150	Rev. 15.9
151	151	Rev. 16.0
152	152	Rev. 16.1
153	153	Rev. 16.2
154	154	Rev. 16.3
155	155	Rev. 16.4
156	156	Rev. 16.5
157	157	Rev. 16.6
158	158	Rev. 16.7
159	159	Rev. 16.8
160	160	Rev. 16.9
161	161	Rev. 17.0
162	162	Rev. 17.1
163	163	Rev. 17.2
164	164	Rev. 17.3
165	165	Rev. 17.4
166	166	Rev. 17.5
167	167	Rev. 17.6
168	168	Rev. 17.7
169	169	Rev. 17.8
170	170	Rev. 17.9
171	171	Rev. 18.0
172	172	Rev. 18.1
173	173	Rev. 18.2
174	174	Rev. 18.3
175	175	Rev. 18.4
176	176	Rev. 18.5
177	177	Rev. 18.6
178	178	Rev. 18.7
179	179	Rev. 18.8
180	180	Rev. 18.9
181	181	Rev. 19.0
182	182	Rev. 19.1
183	183	Rev. 19.2
184	184	Rev. 19.3
185	185	Rev. 19.4
186	186	Rev. 19.5
187	187	Rev. 19.6
188	188	Rev. 19.7
189	189	Rev. 19.8
190	190	Rev. 19.9
191	191	Rev. 20.0
192	192	Rev. 20.1
193	193	Rev. 20.2
194	194	Rev. 20.3
195	195	Rev. 20.4
196	196	Rev. 20.5
197	197	Rev. 20.6
198	198	Rev. 20.7
199	199	Rev. 20.8
200	200	Rev. 20.9



Title		
Size	Number	Revision
A3		
Date:	9-Mar-2006	Sheet of
File:		Drawn By:

D

C

B

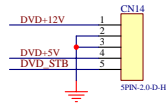
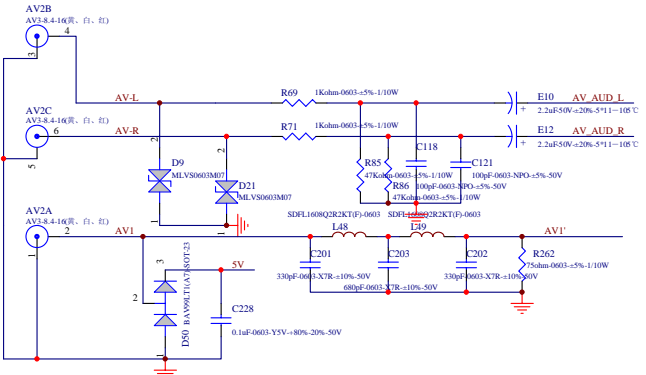
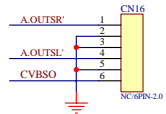
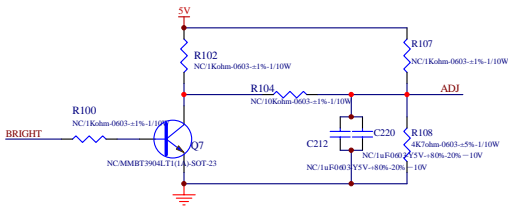
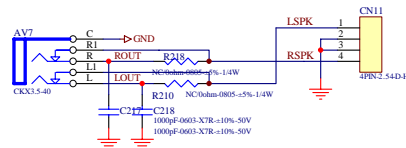
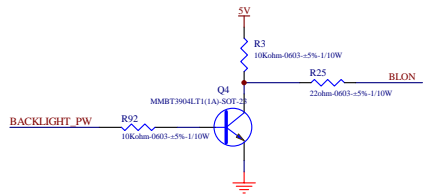
A

D

C

B

A



Title		
Size	Number	Revision
A3		
Date:	9-Mar-2006	Sheet of
File:		Drawn By: