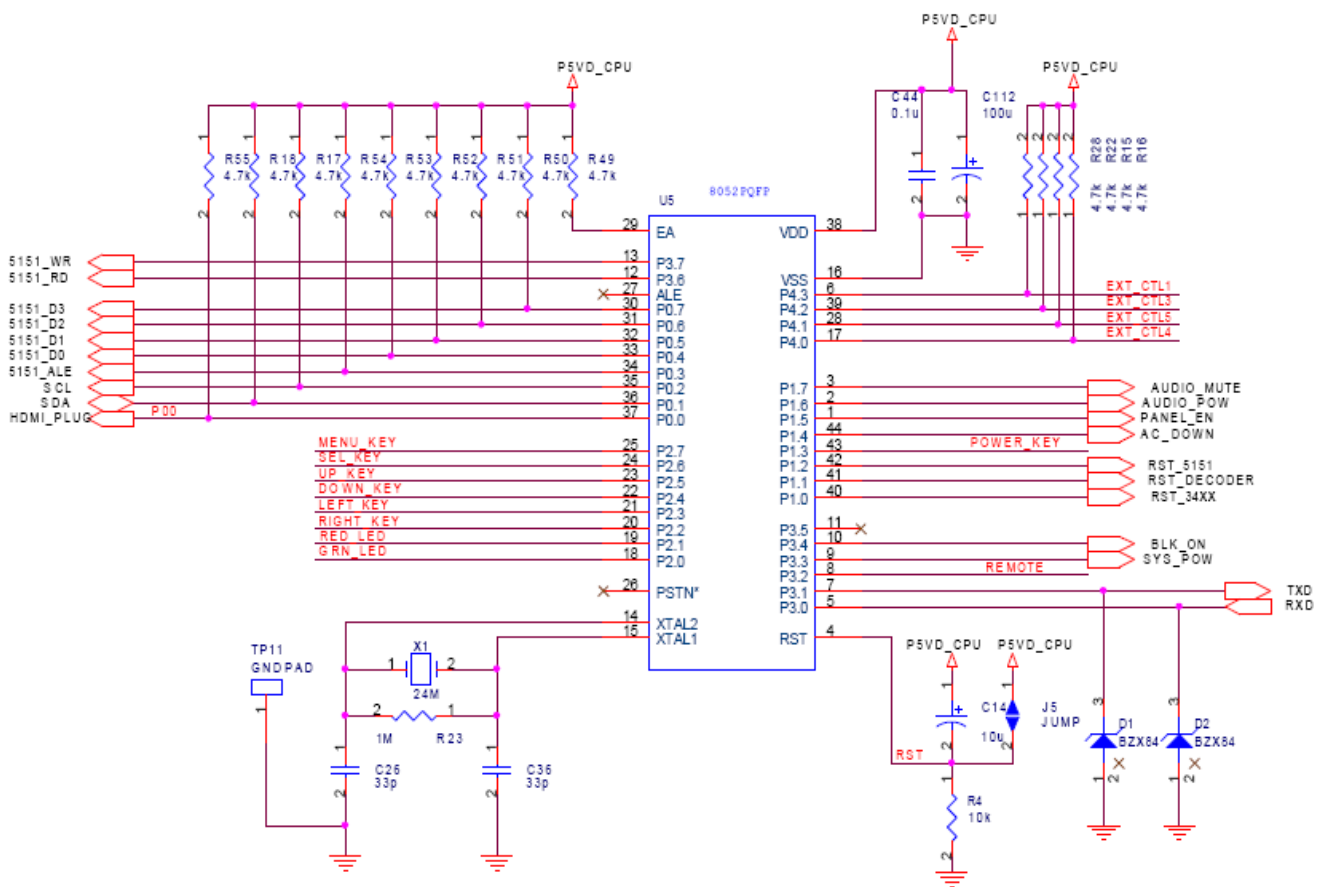
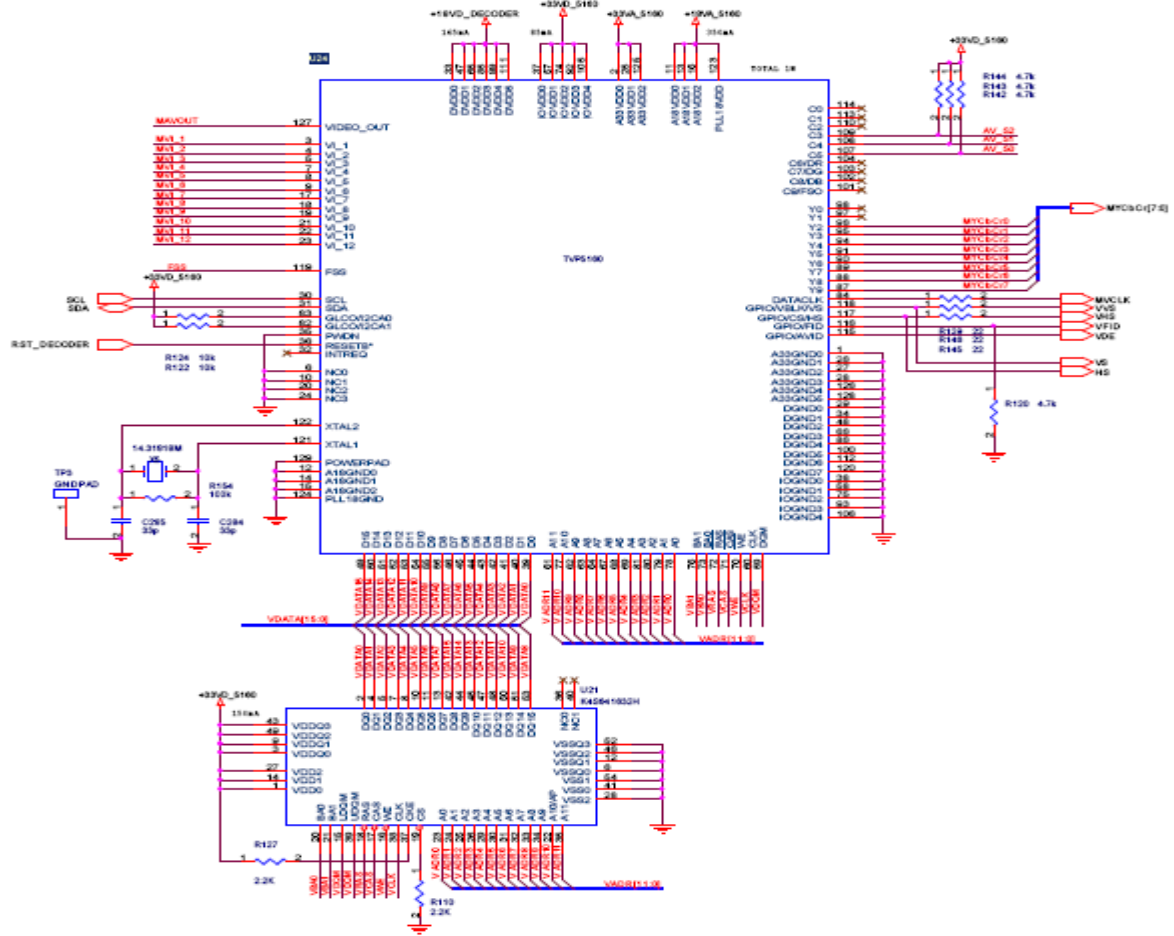


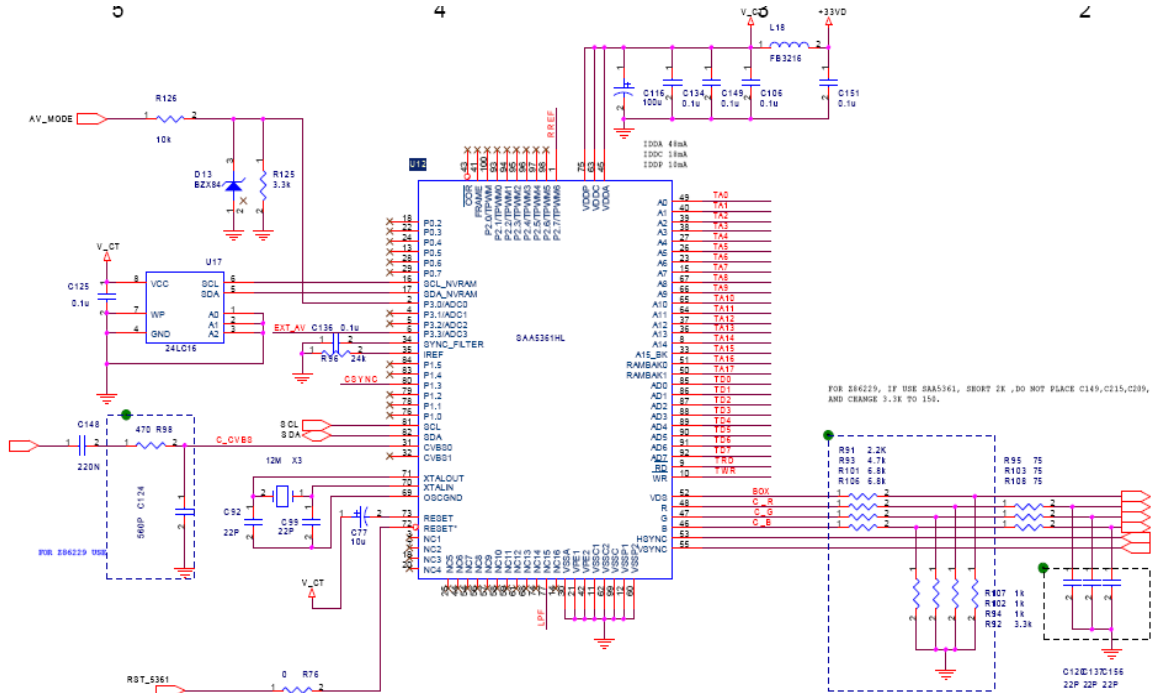
U5 MCU (TP2808) circuit Diagram:



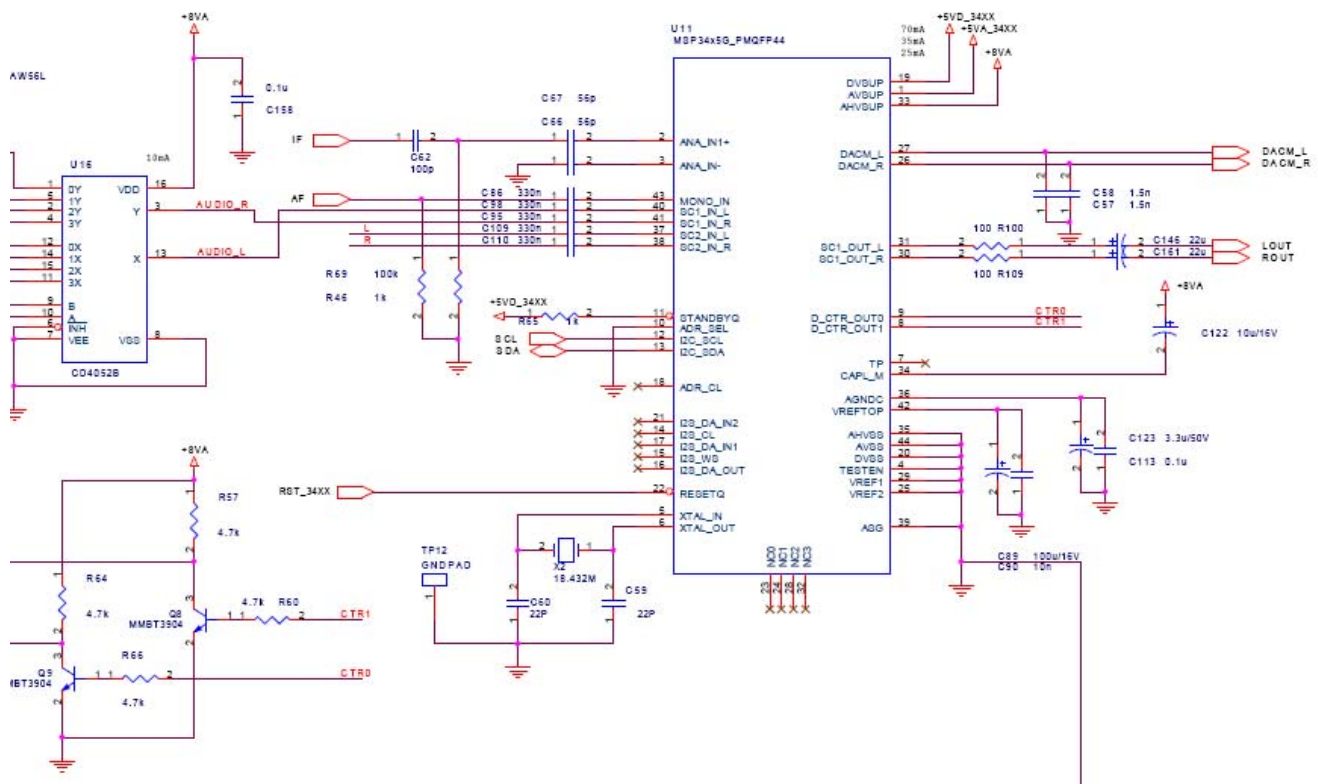
U24: Video decoder (TVP5160) circuit Diagram:



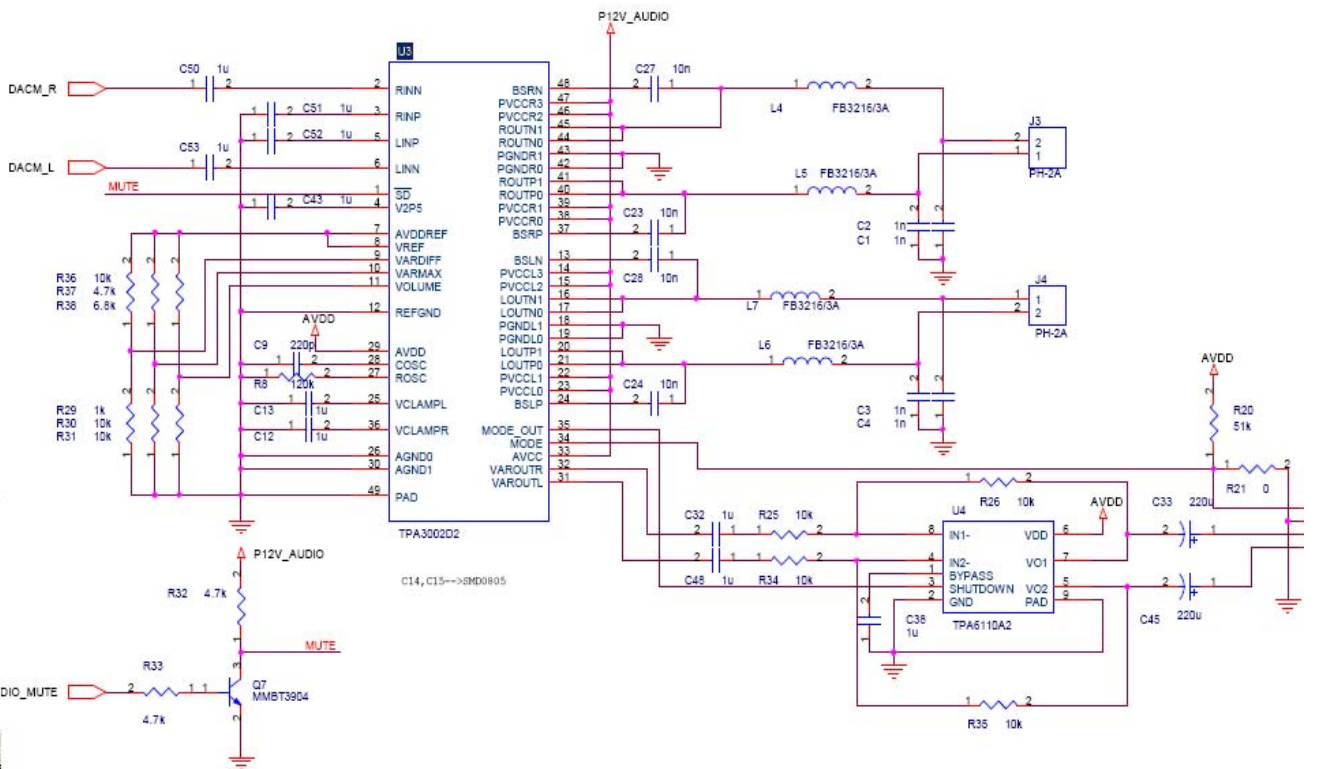
U12 Teletext decoder (SAA5361HL) circuit Diagram:



U11 AUDIO PROCESSOR: (MS3415G_PMQFP44) circuit Diagram:



U3 AUDIO AMP: (TPA3002D2) circuit Diagram:



U13/U18 (IS42S16400B-7T) circuit Diagram:

