

MAIN BOARD - CIRCUIT DIAGRAM

FORYOU GENERAL ELECTRONICS CO., LTD.		MATERIAL: D/S FR.4 1.6mm		DRAWING BY	
FILE NAME	DN428/DN440-MB	VERSION	VER.H	CHECKED BY	
BLOCK	PAGE 1/2	DATE	10.08.10	APPROVED BY	

D

D

C

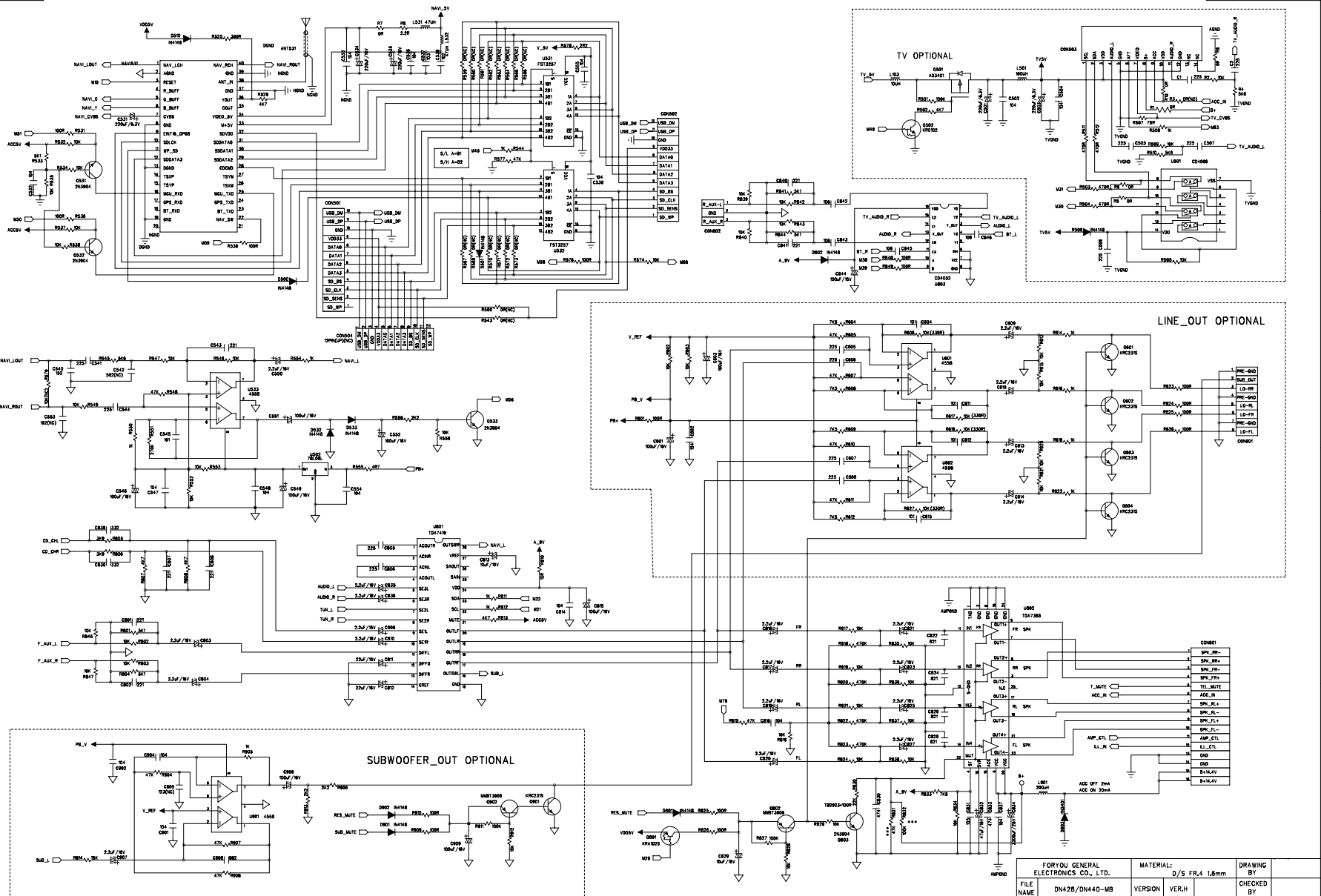
C

B

B

A

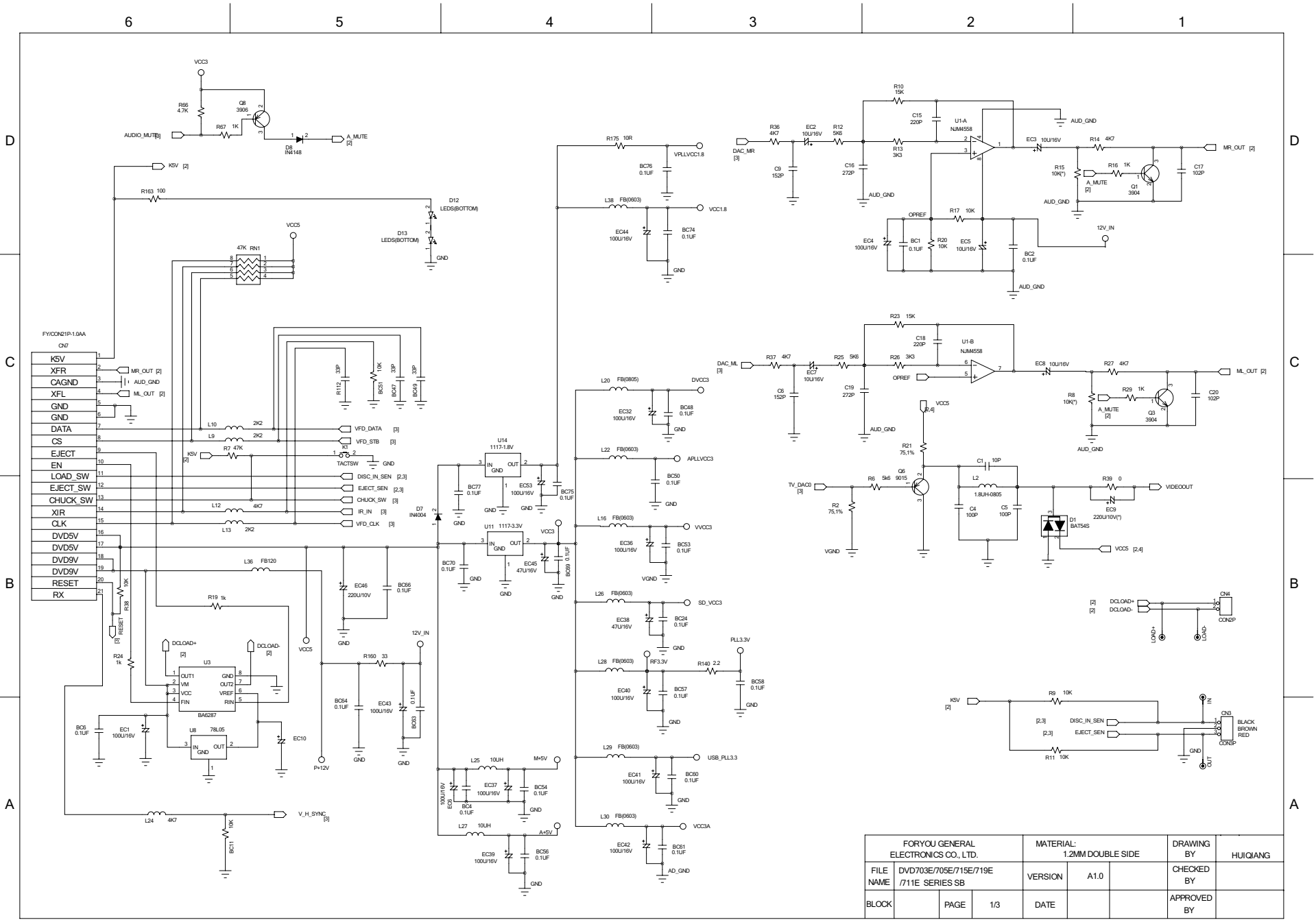
A



MAIN BOARD - CIRCUIT DIAGRAM

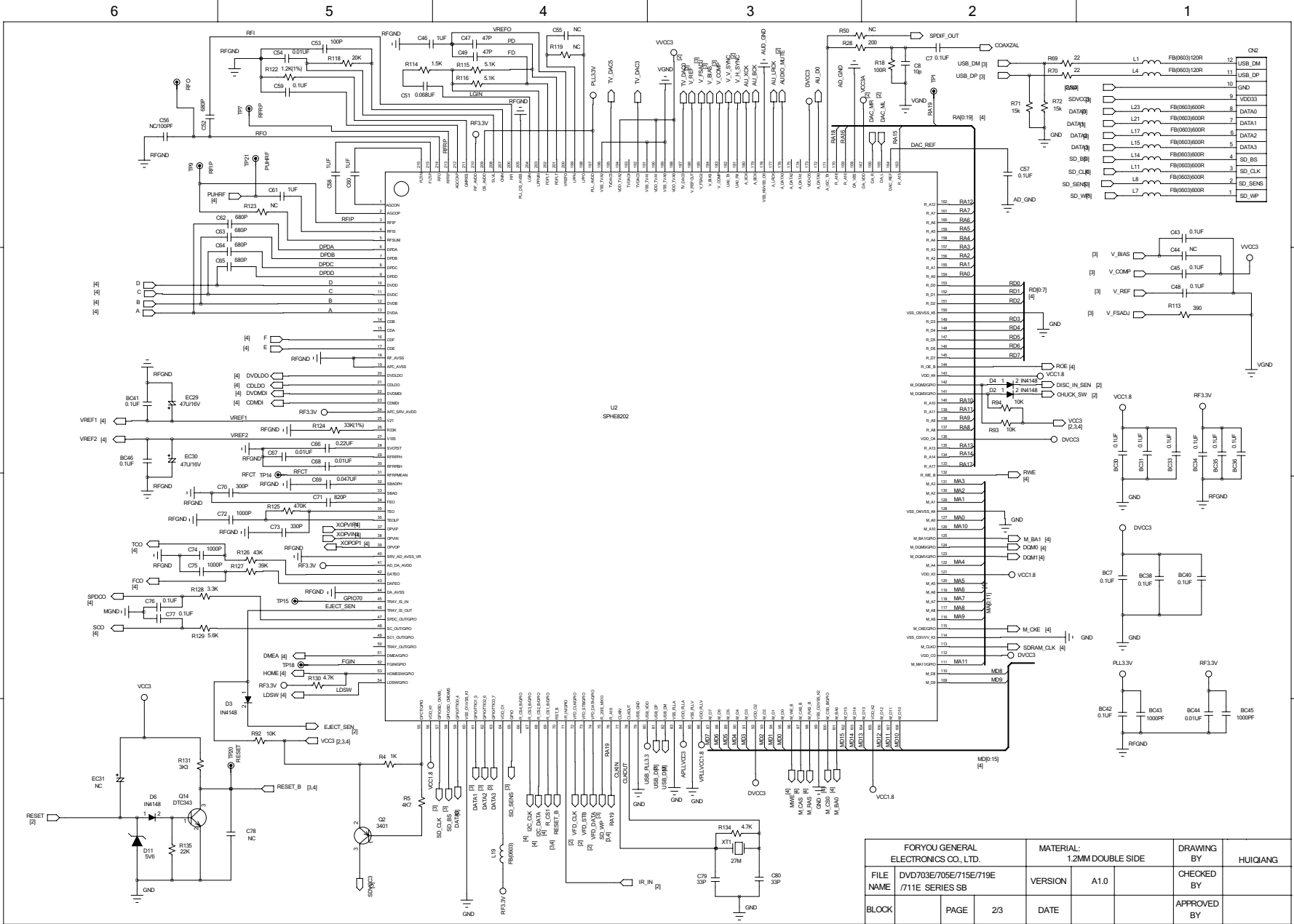
FORYOU GENERAL ELECTRONICS CO., LTD.		MATERIAL: D/S FR.4 1.6mm		DRAWING BY	
FILE NAME	DN428/DN440-MB	VERSION	VER.H	CHECKED BY	
BLOCK	PAGE 2/2	DATE	10.08.10	APPROVED BY	

SERVO BOARD - CIRCUIT DIAGRAM



FORYOU GENERAL ELECTRONICS CO., LTD.			MATERIAL: 1.2MM DOUBLE SIDE		DRAWING BY HUIQIANG	
FILE NAME D\VD703E\705E\715E\719E\711E SERIES SB			VERSION A1.0		CHECKED BY	
BLOCK			DATE		APPROVED BY	

SERVO BOARD - CIRCUIT DIAGRAM



FORYOU GENERAL ELECTRONICS CO., LTD.			MATERIAL: 1.2MM DOUBLE SIDE		DRAWING BY	HUIJIANG
FILE NAME	DVD703E/705E/715E/719E /711E SERIES SB		VERSION	A1.0	CHECKED BY	
BLOCK	PAGE	2/3	DATE		APPROVED BY	

D

C

B

A

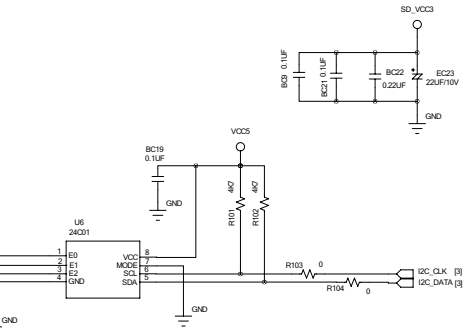
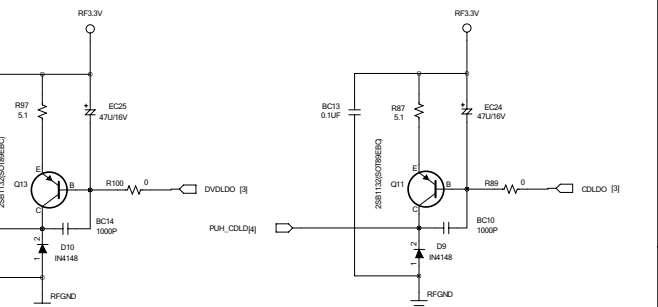
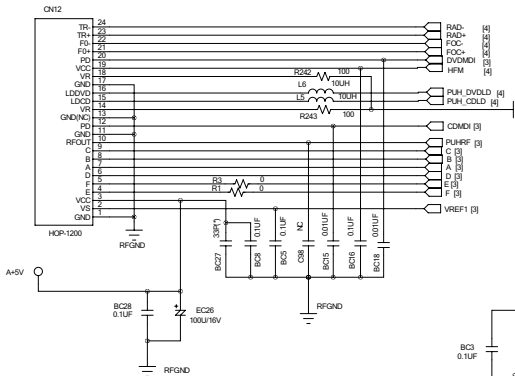
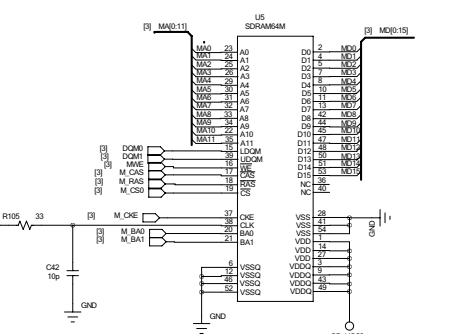
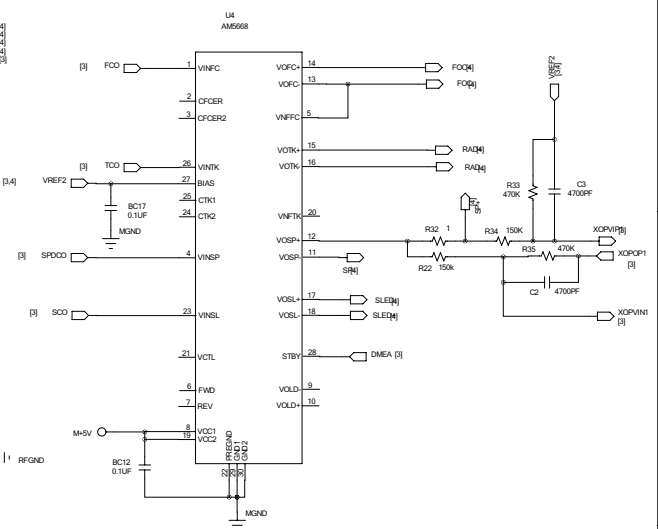
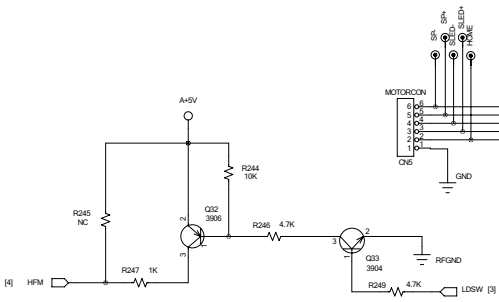
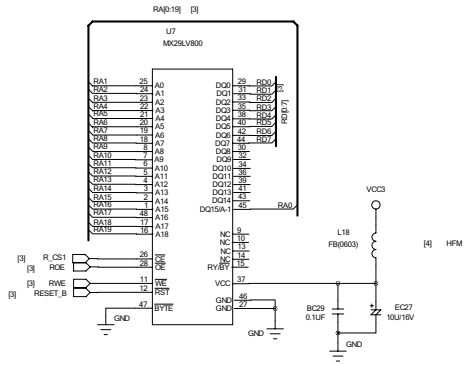
D

C

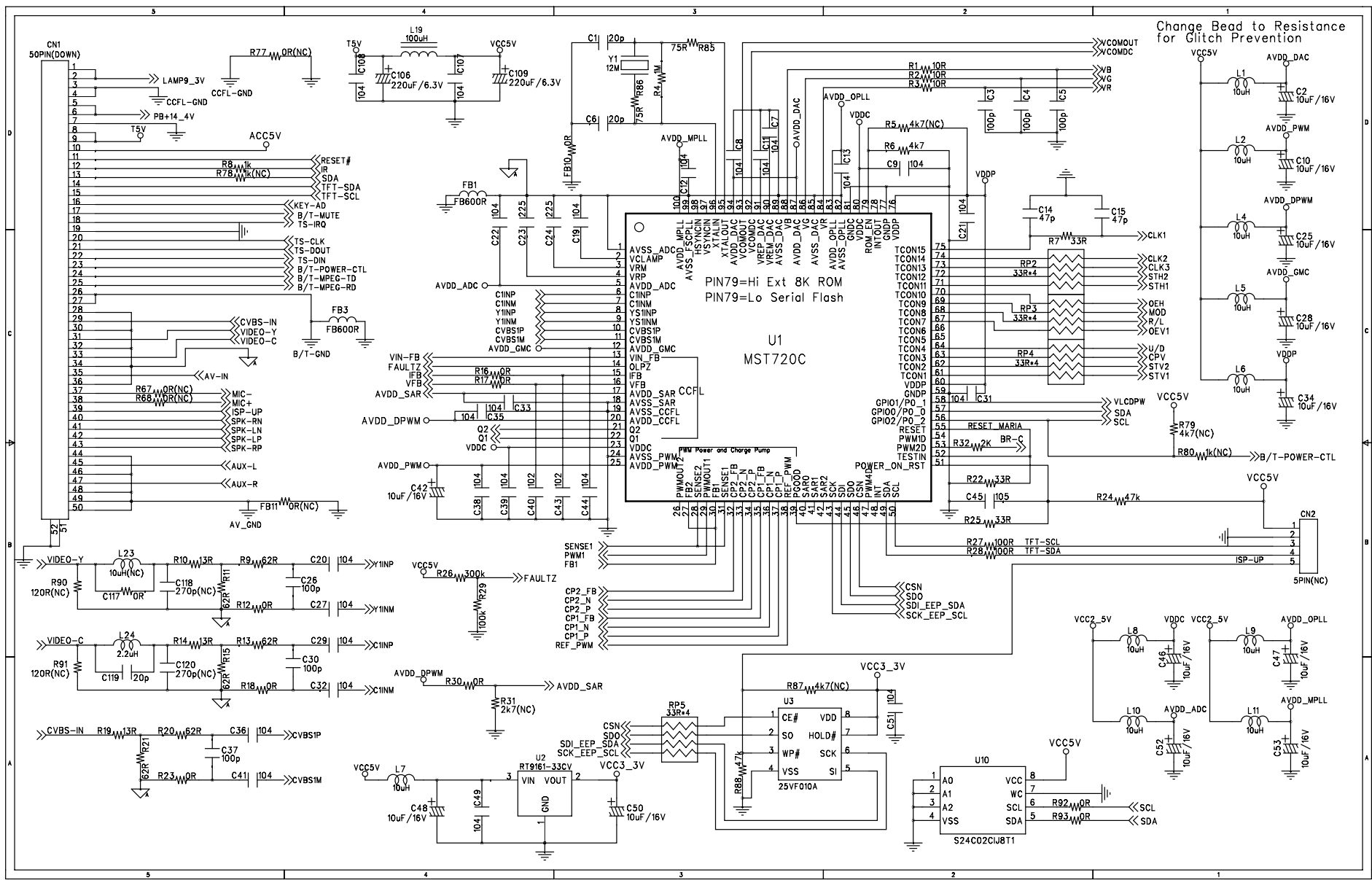
B

A

SERVO BOARD - CIRCUIT DIAGRAM

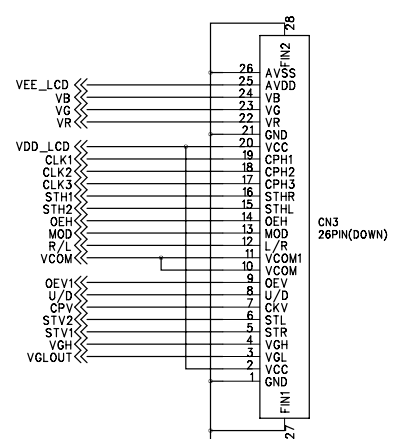
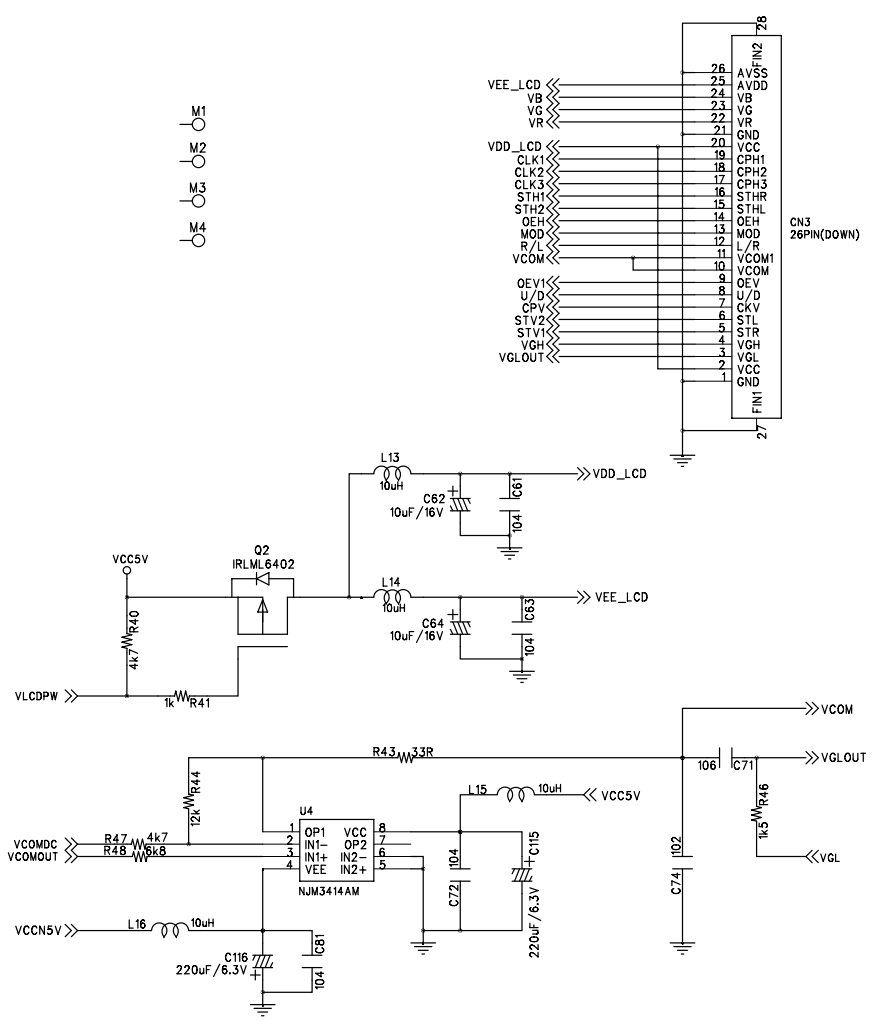
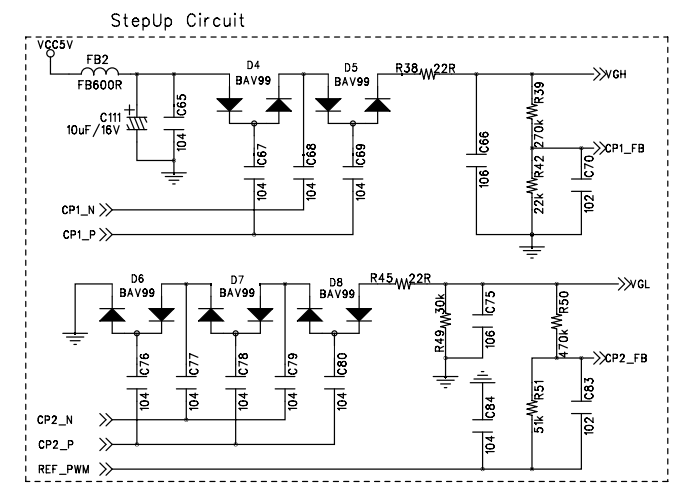
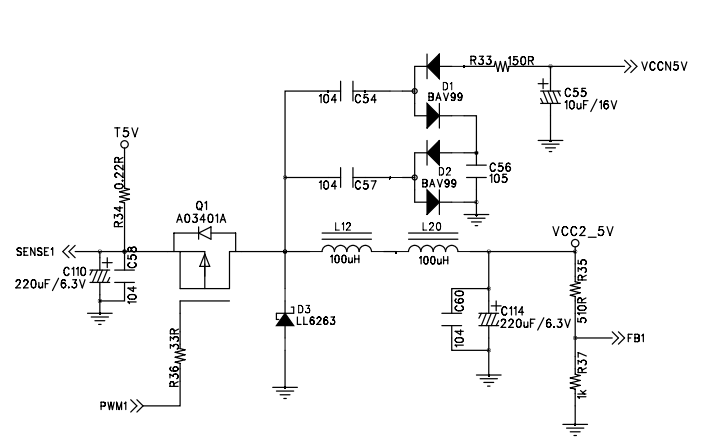


FORYOU GENERAL ELECTRONICS CO., LTD.			MATERIAL: 1.2MM DOUBLE SIDE		DRAWING BY		HUIQIANG
FILE NAME DVD703E/705E/715E/719E /711E SERIES SB			VERSION	A1.0	CHECKED BY		
BLOCK	PAGE	3/3	DATE		APPROVED BY		

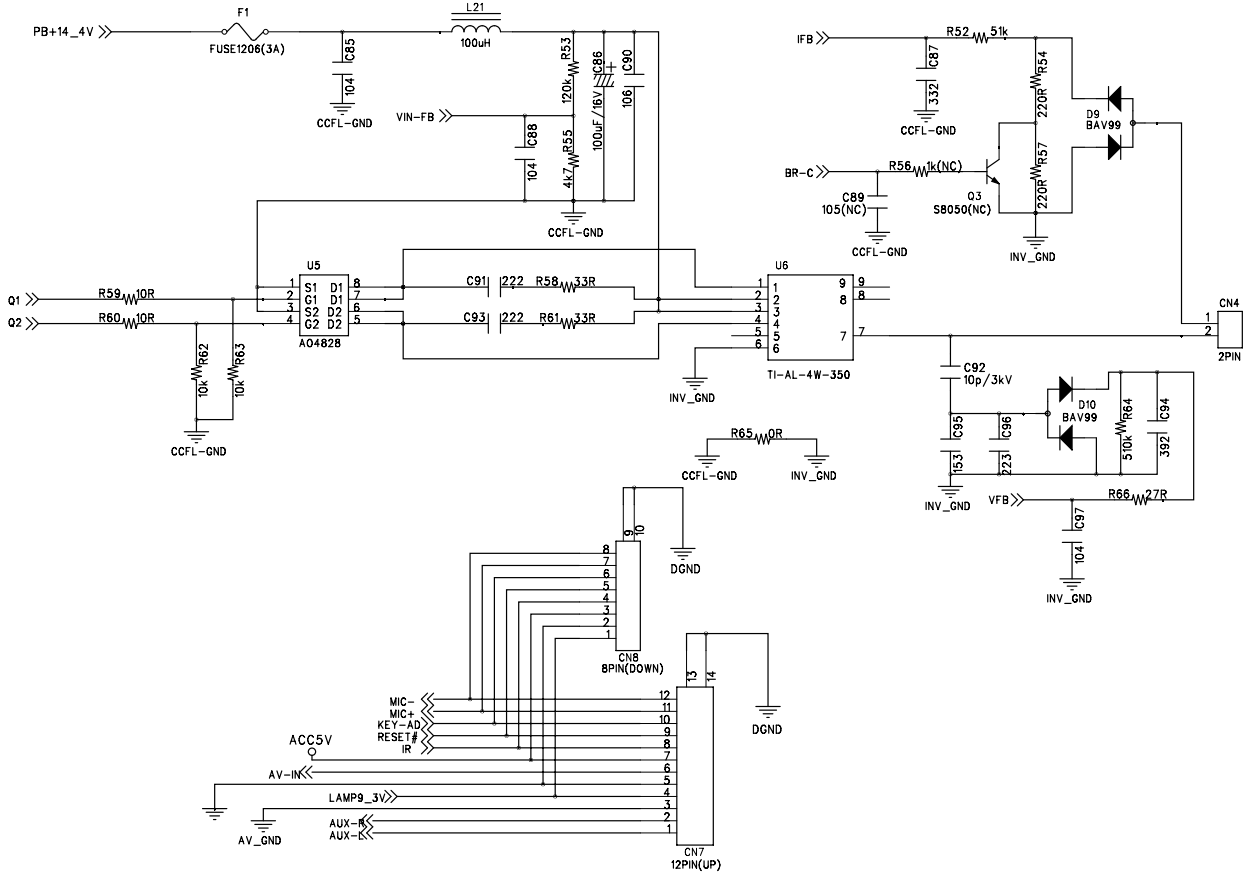


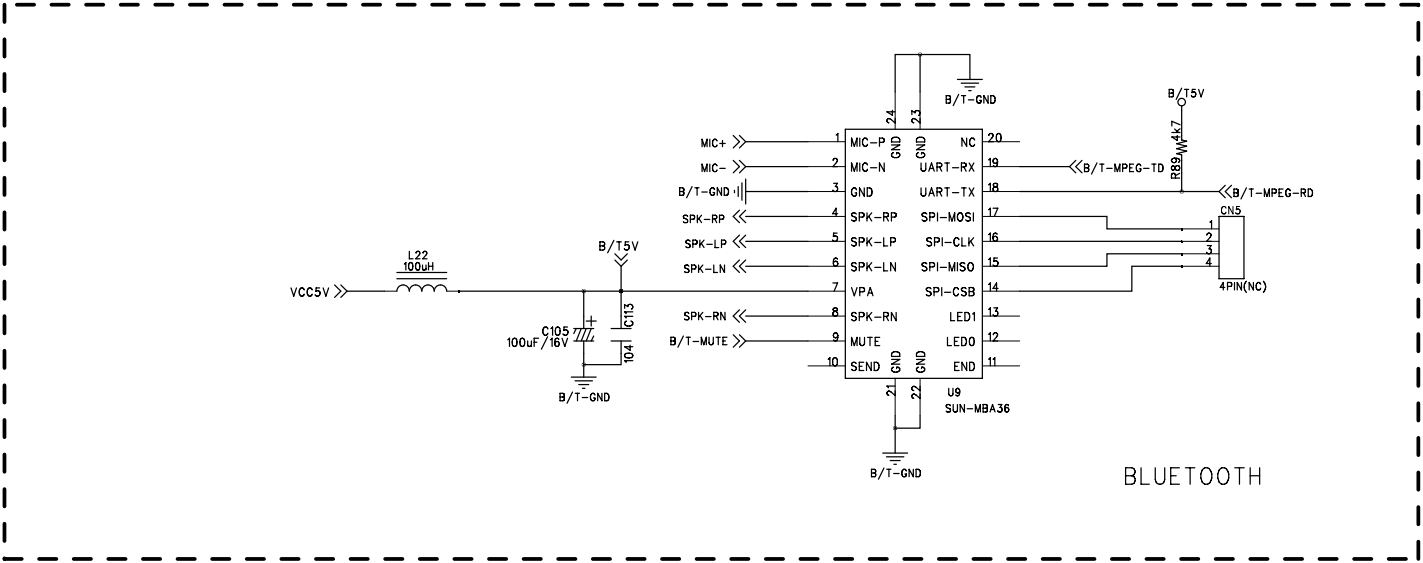
Change Bead to Resistance for Glitch Prevention

TFT BOARD - CIRCUIT DIAGRAM

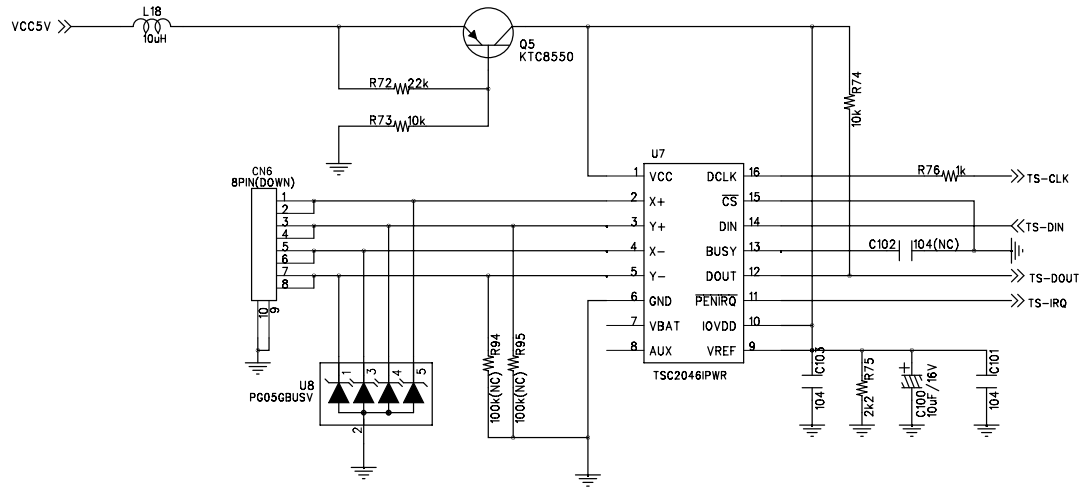


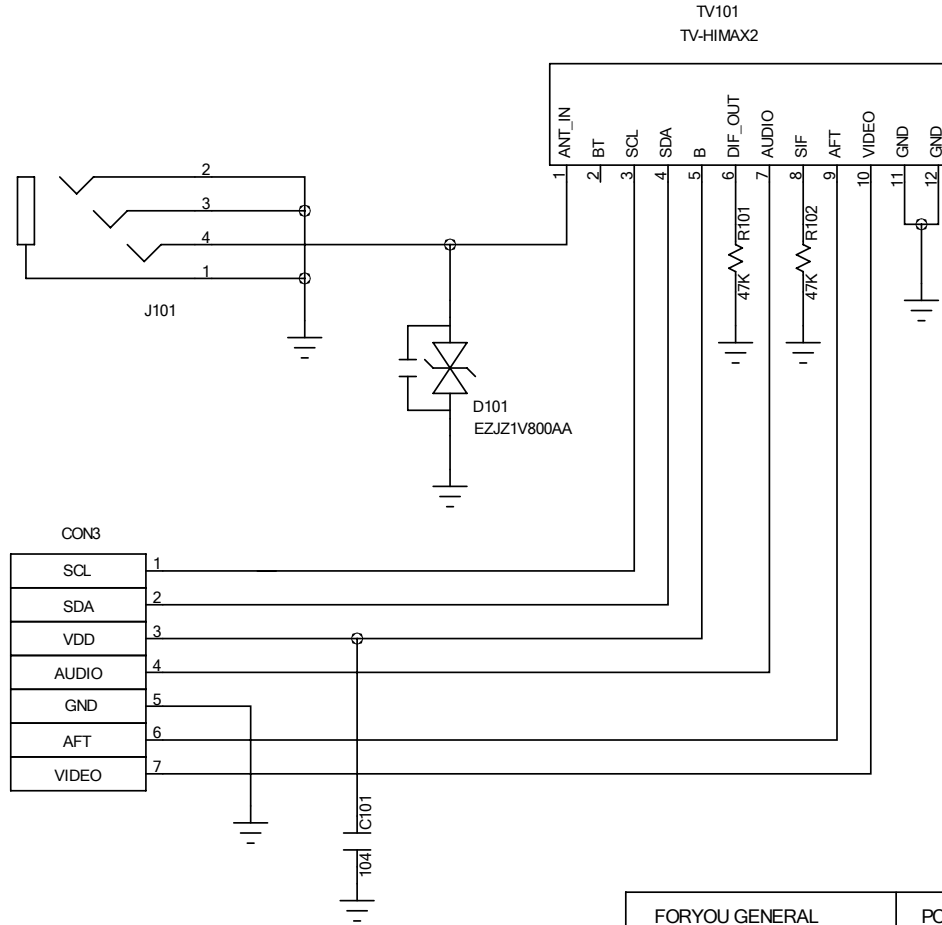
TFT BOARD - CIRCUIT DIAGRAM





BLUETOOTH





FORYOU GENERAL ELECTRONICS CO., LTD.		PCB MATERIAL: 1.6MM DOUBLE SIDE		DRAWN BY	
FILE NAME	DN428 TV	VERSION	REV.1	CHECKED BY	
BLOCK	PAGE	1	DATE	APPROVED BY	

TV BOARD - CIRCUIT DIAGRAM

D

D

C

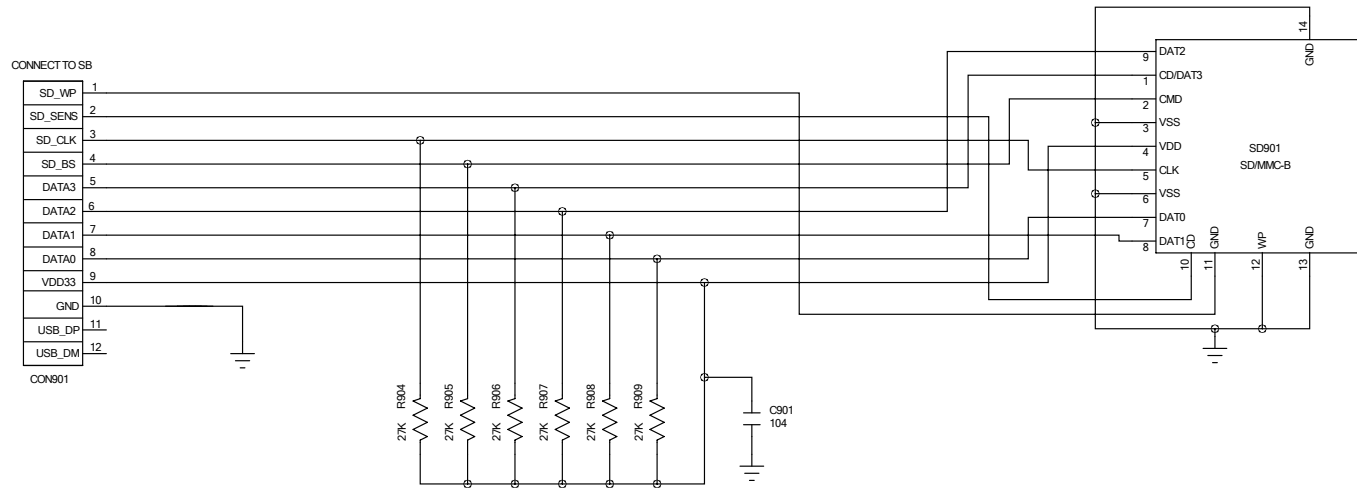
C

B

B

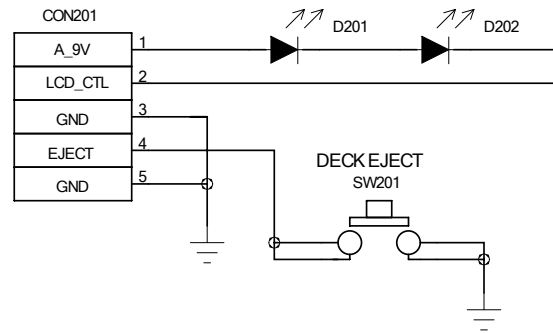
A

A

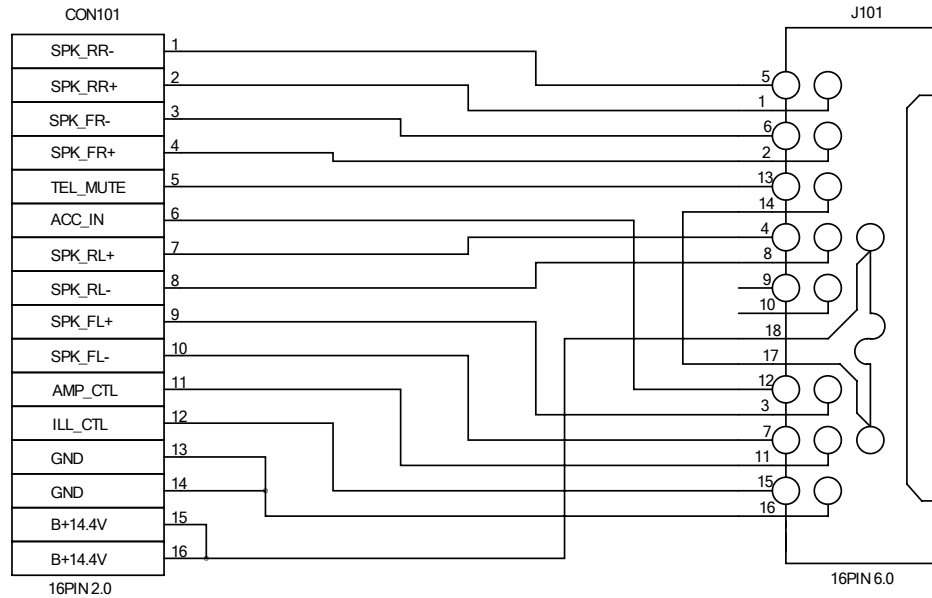


SD BOARD - CIRCUIT DIAGRAM

FORYOU GENERAL ELECTRONICS CO., LTD.			MATERIAL: 1.2MM DOUBLE SIDE		DRAWING BY	
FILE NAME	DM428N-SD		VERSION	A	CHECKED BY	
BLOCK	PAGE	1	DATE	09.01.10	APPROVED BY	



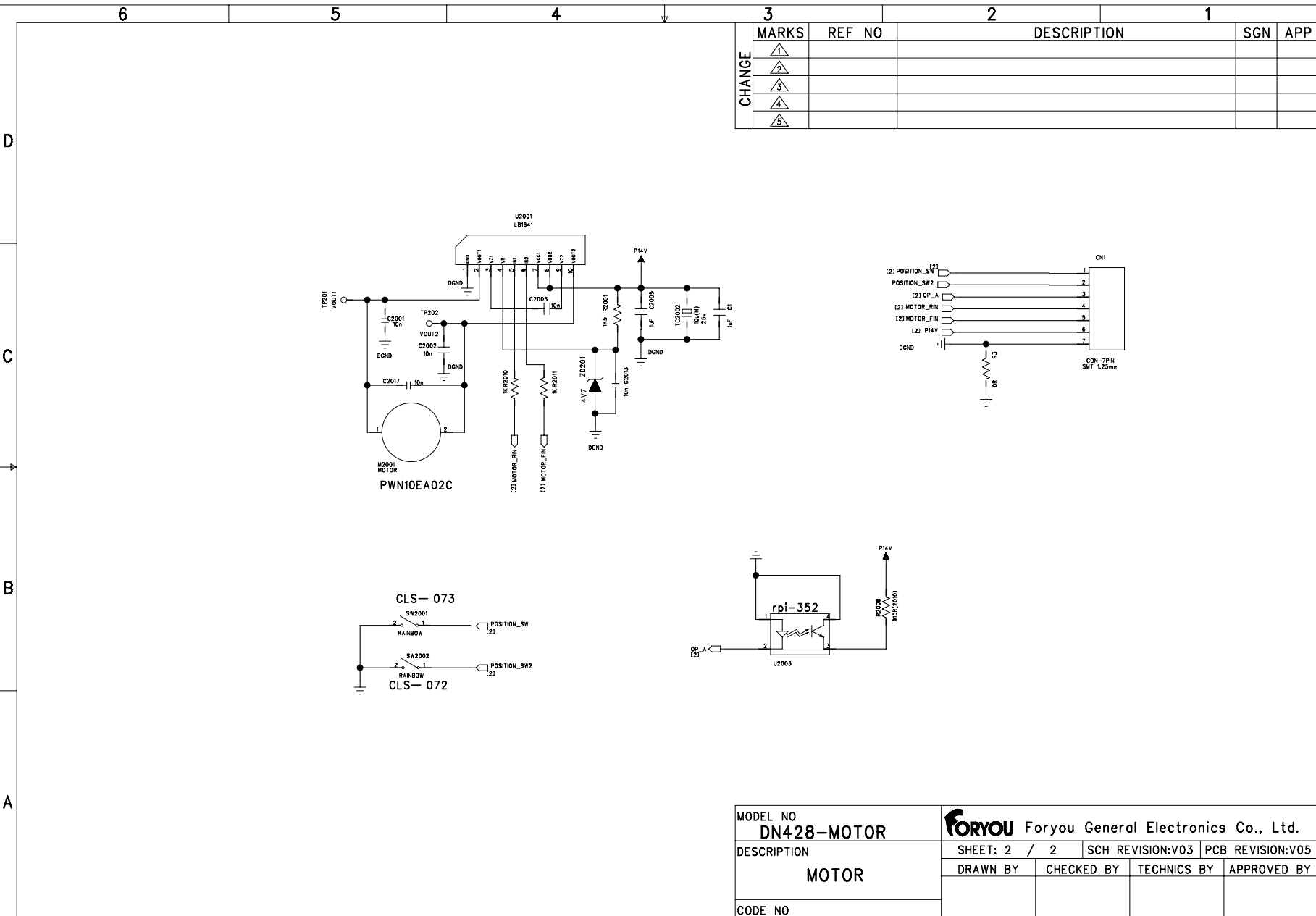
FORYOU GENERAL ELECTRONICS CO., LTD.			PCB MATERIAL: 1.2MM SINGLE SIDE		DRAWN BY	
FILE NAME	DM428N-FB		VERSION	REV.1	CHECKED BY	
BLOCK	PAGE	1	DATE	09.01.10	APPROVED BY	



A4=B+,A7=ACC

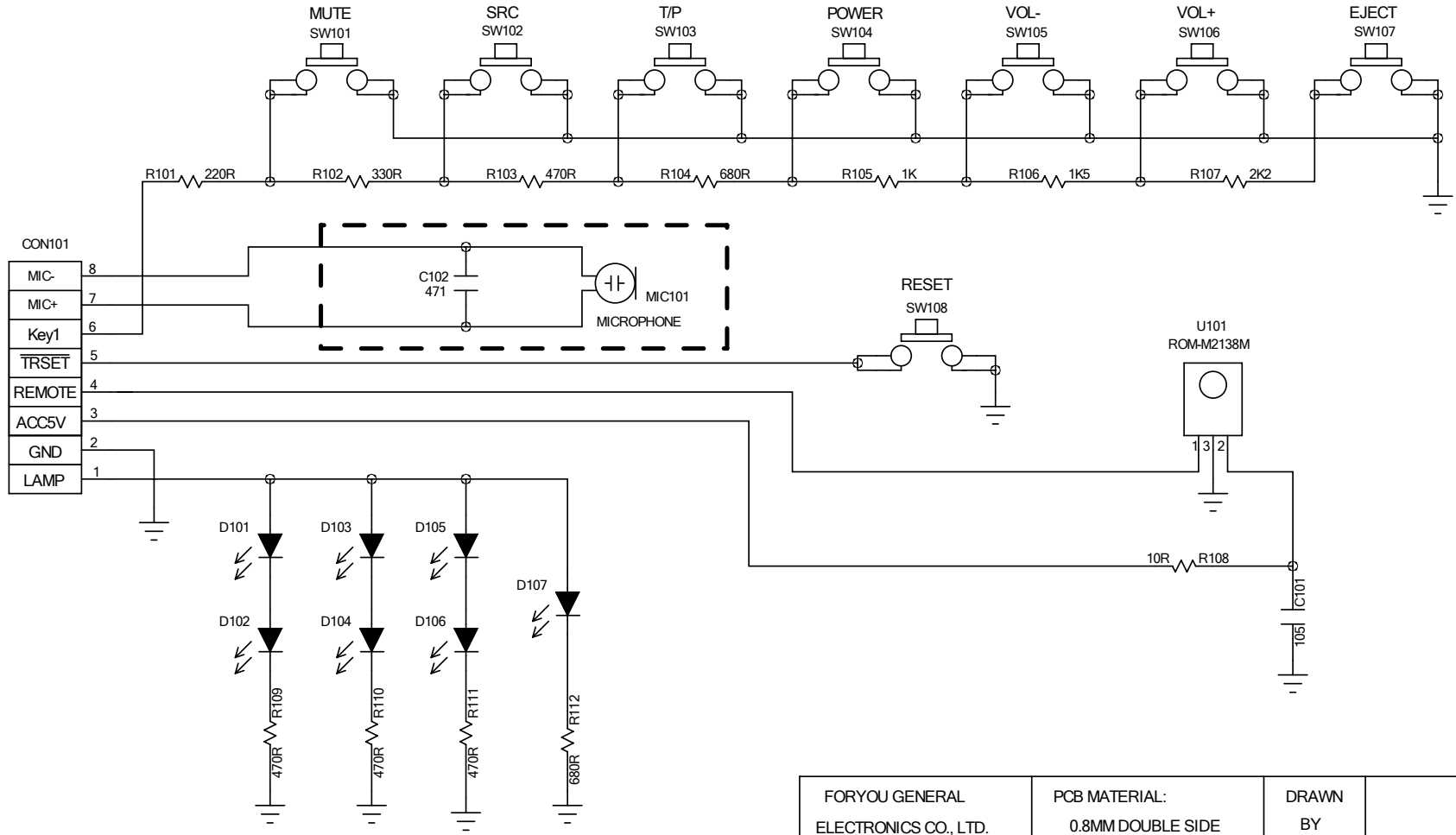
SPK BOARD - CIRCUIT DIAGRAM

FORYOU GENERAL ELECTRONICS CO., LTD.			PCB MATERIAL: 1.6MM DOUBLE SIDE		DRAWN BY	
FILE NAME	DM428_SPK 123010001106		VERSION	REV.1	CHECKED BY	
BLOCK	PAGE	1	DATE	08.11.26	APPROVED BY	



MD BOARD - CIRCUIT DIAGRAM

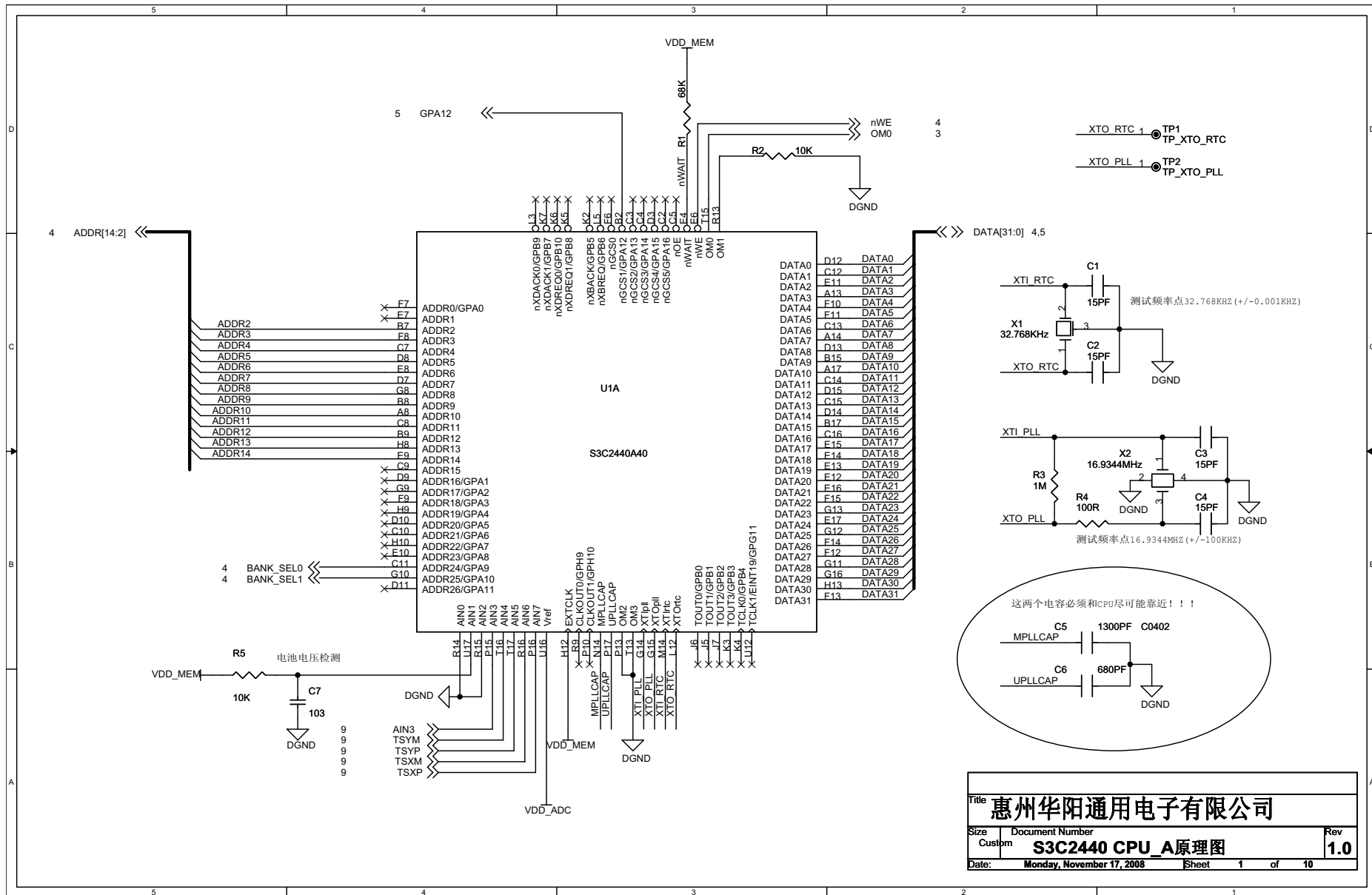
MODEL NO DN428-MOTOR	FORYOU Foryou General Electronics Co., Ltd.			
DESCRIPTION MOTOR	SHEET: 2 / 2	SCH REVISION:V03	PCB REVISION:V05	
CODE NO	DRAWN BY	CHECKED BY	TECHNICS BY	APPROVED BY



KB BOARD - CIRCUIT DIAGRAM

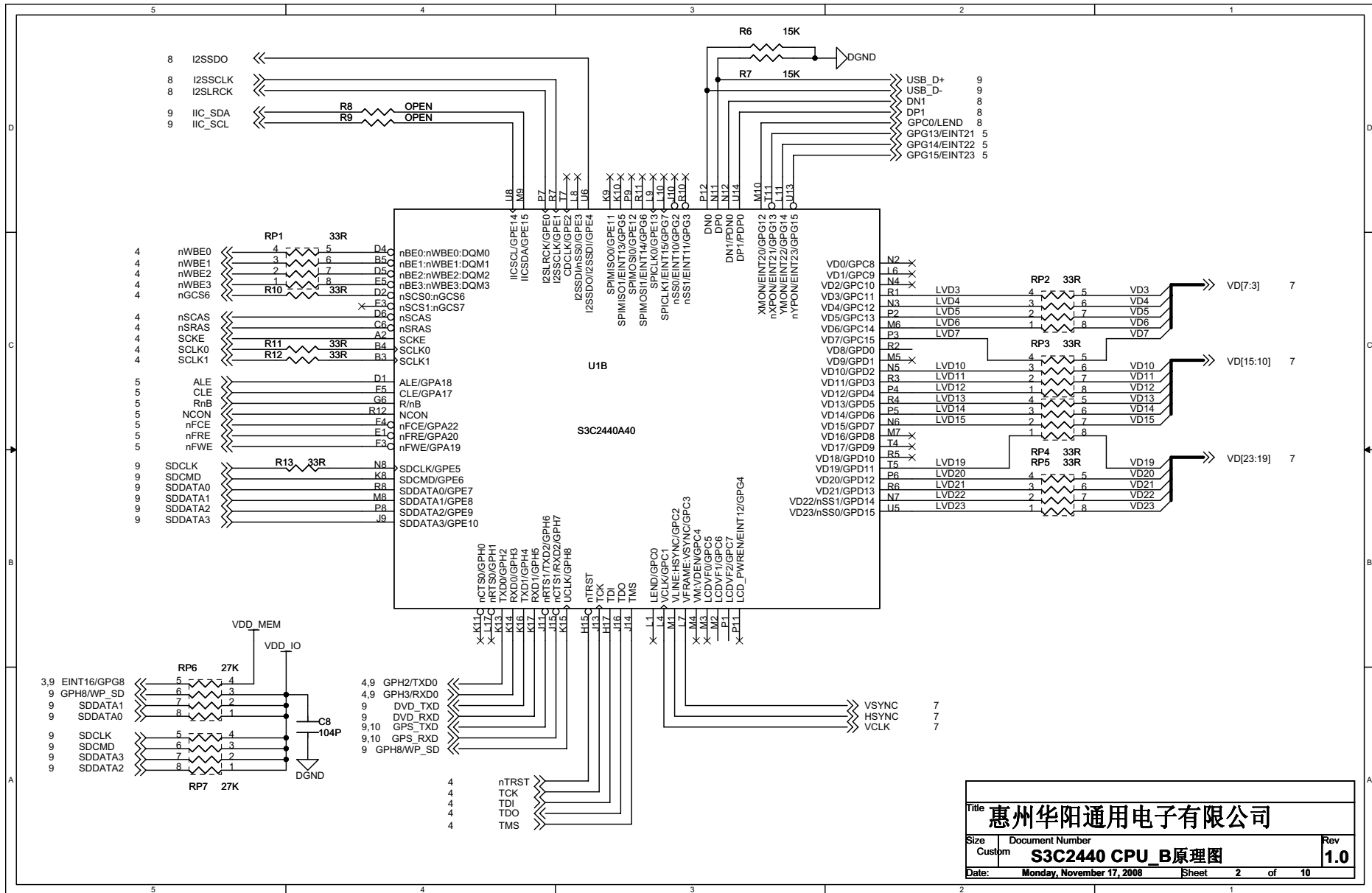
FORYOU GENERAL ELECTRONICS CO., LTD.			PCB MATERIAL: 0.8MM DOUBLE SIDE		DRAWN BY
FILE NAME	DN4283_KB		VERSION	REV.2	CHECKED BY
BLOCK	PAGE	1	DATE	08.11.14	APPROVED BY

GPS BOARD - CIRCUIT DIAGRAM



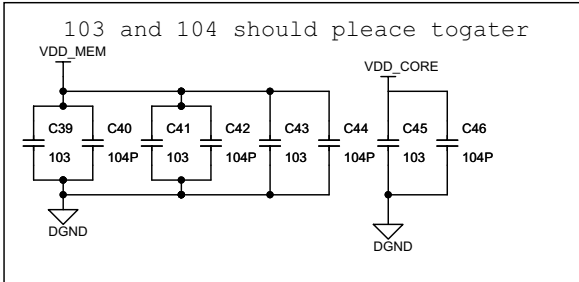
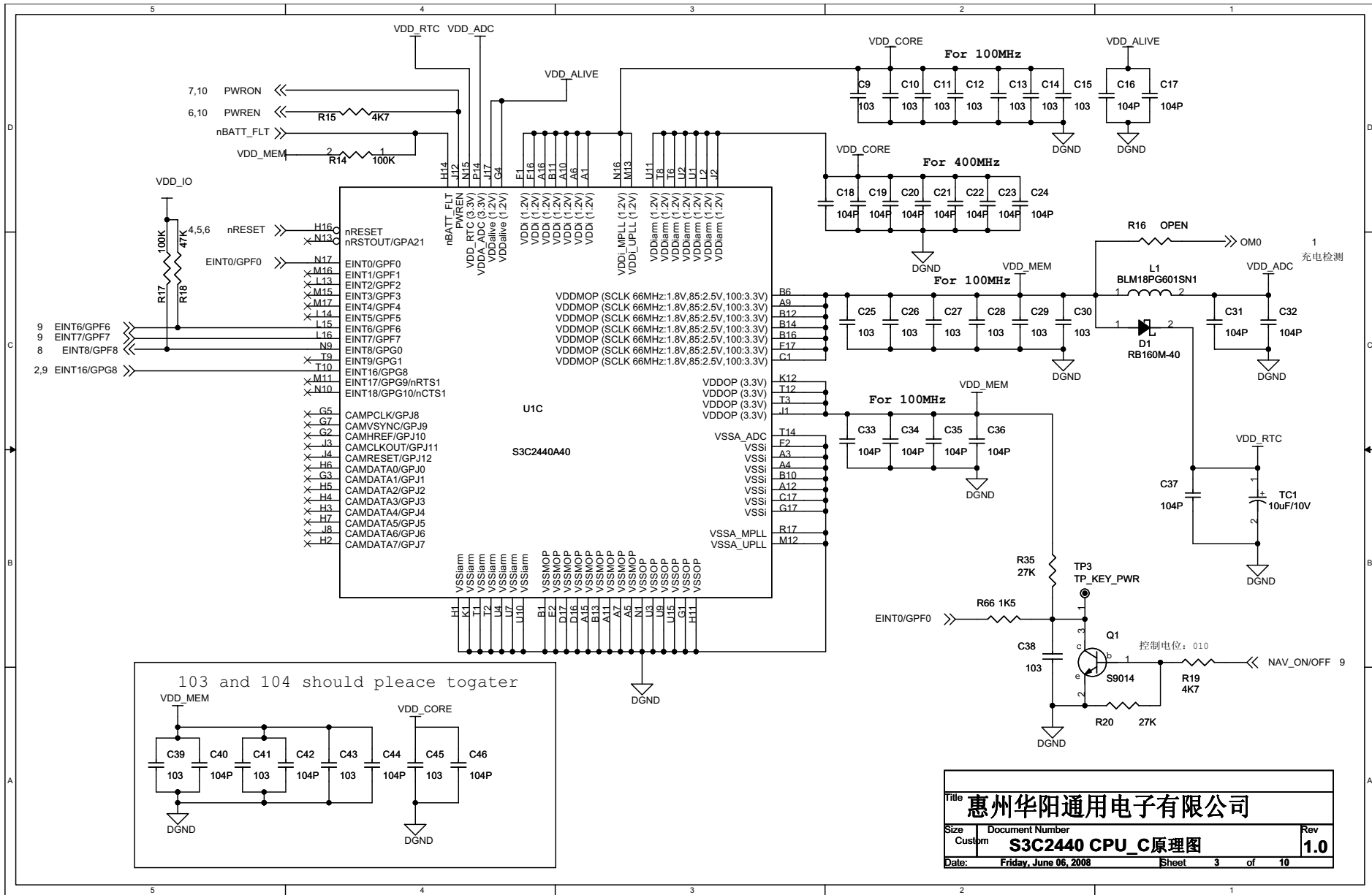
Title 惠州华阳通用电子有限公司		
Size	Document Number	Rev
Custpm	S3C2440 CPU_A原理图	1.0
Date:	Monday, November 17, 2008	Sheet 1 of 10

GPS BOARD - CIRCUIT DIAGRAM



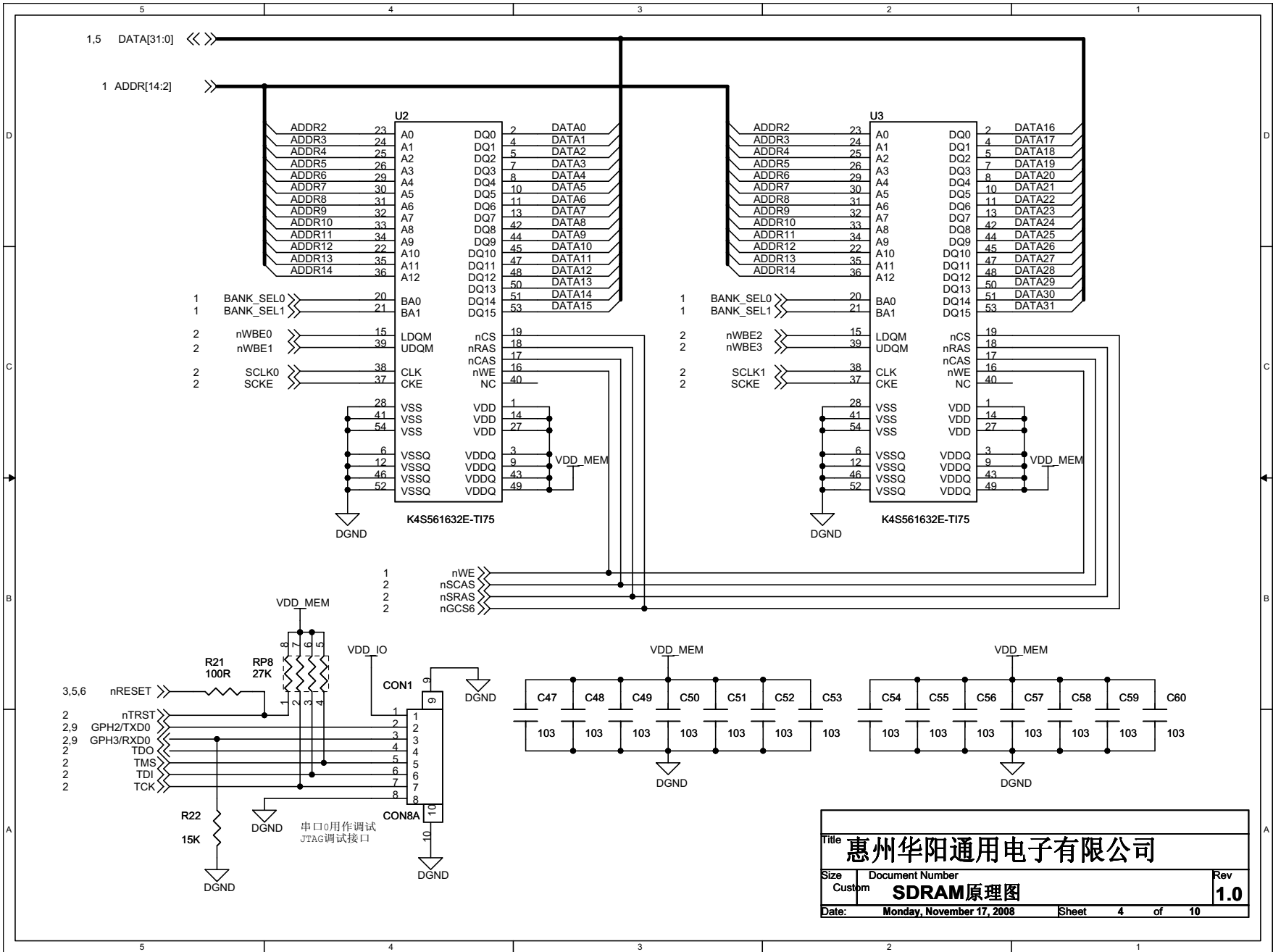
Title 惠州华阳通用电子有限公司		
Size Custom	Document Number S3C2440 CPU_B原理图	Rev 1.0
Date: Monday, November 17, 2008	Sheet 2 of 10	

GPS BOARD - CIRCUIT DIAGRAM

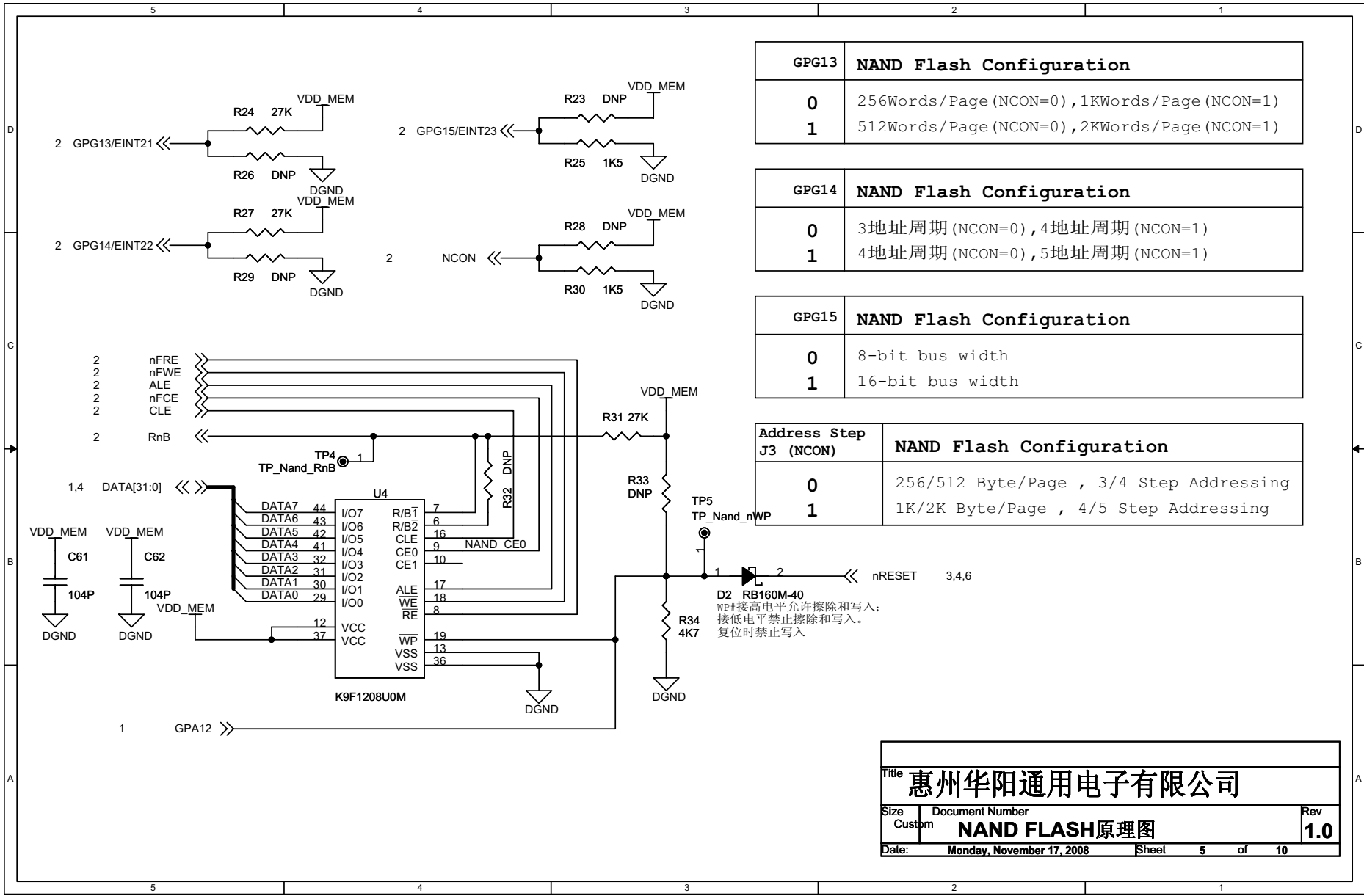


Title 惠州华阳通用电子有限公司		
Size Custom	Document Number	Rev
S3C2440 CPU_C原理图		1.0
Date: Friday, June 06, 2008	Sheet 3 of 10	

GPS BOARD - CIRCUIT DIAGRAM



Title 惠州华阳通用电子有限公司		
Size Custom	Document Number SDRAM原理图	Rev 1.0
Date: Monday, November 17, 2008	Sheet 4	of 10



GPG13	NAND Flash Configuration
0	256Words/Page (NCON=0), 1KWords/Page (NCON=1)
1	512Words/Page (NCON=0), 2KWords/Page (NCON=1)

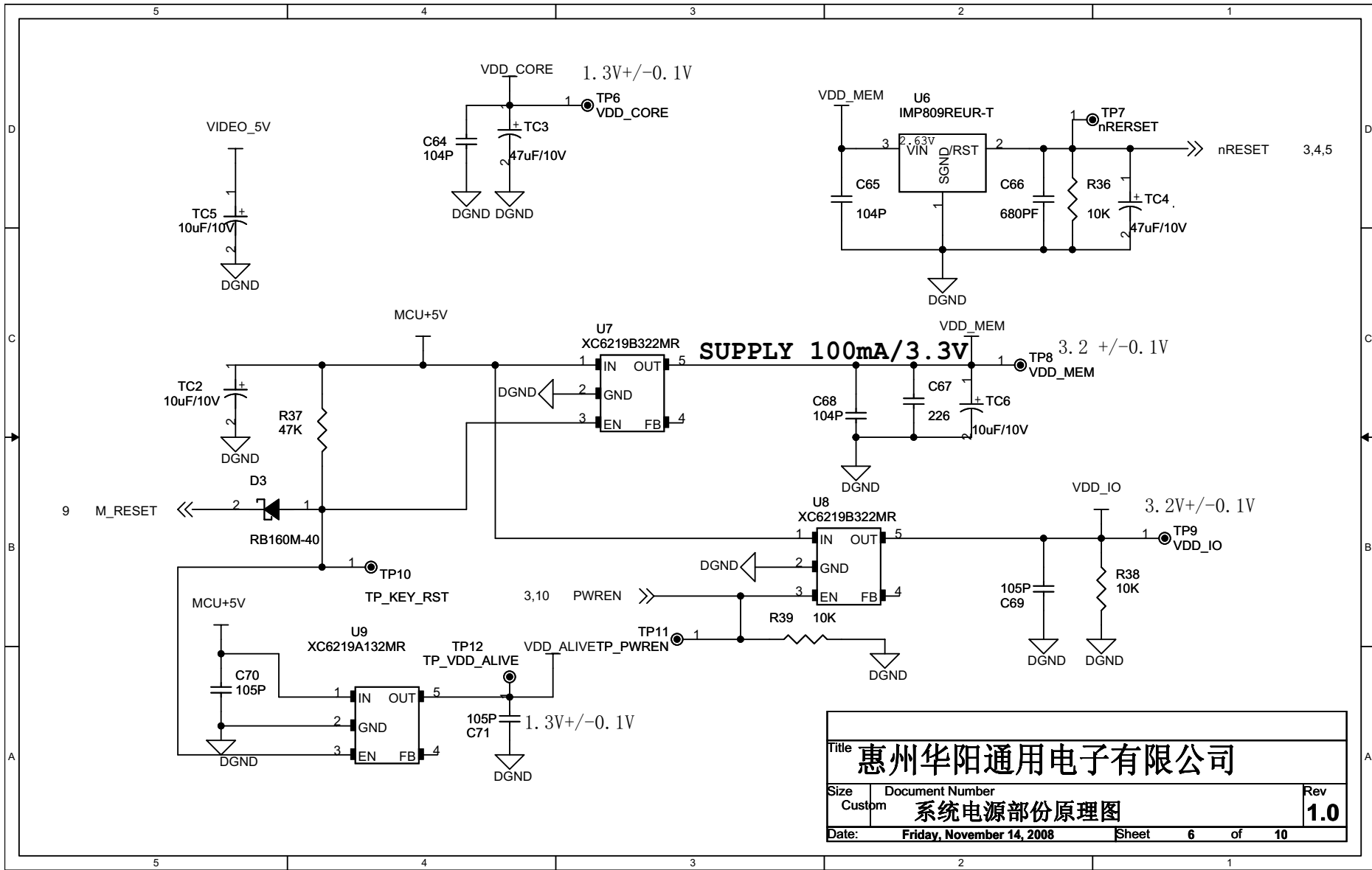
GPG14	NAND Flash Configuration
0	3地址周期 (NCON=0), 4地址周期 (NCON=1)
1	4地址周期 (NCON=0), 5地址周期 (NCON=1)

GPG15	NAND Flash Configuration
0	8-bit bus width
1	16-bit bus width

Address Step J3 (NCON)	NAND Flash Configuration
0	256/512 Byte/Page , 3/4 Step Addressing
1	1K/2K Byte/Page , 4/5 Step Addressing

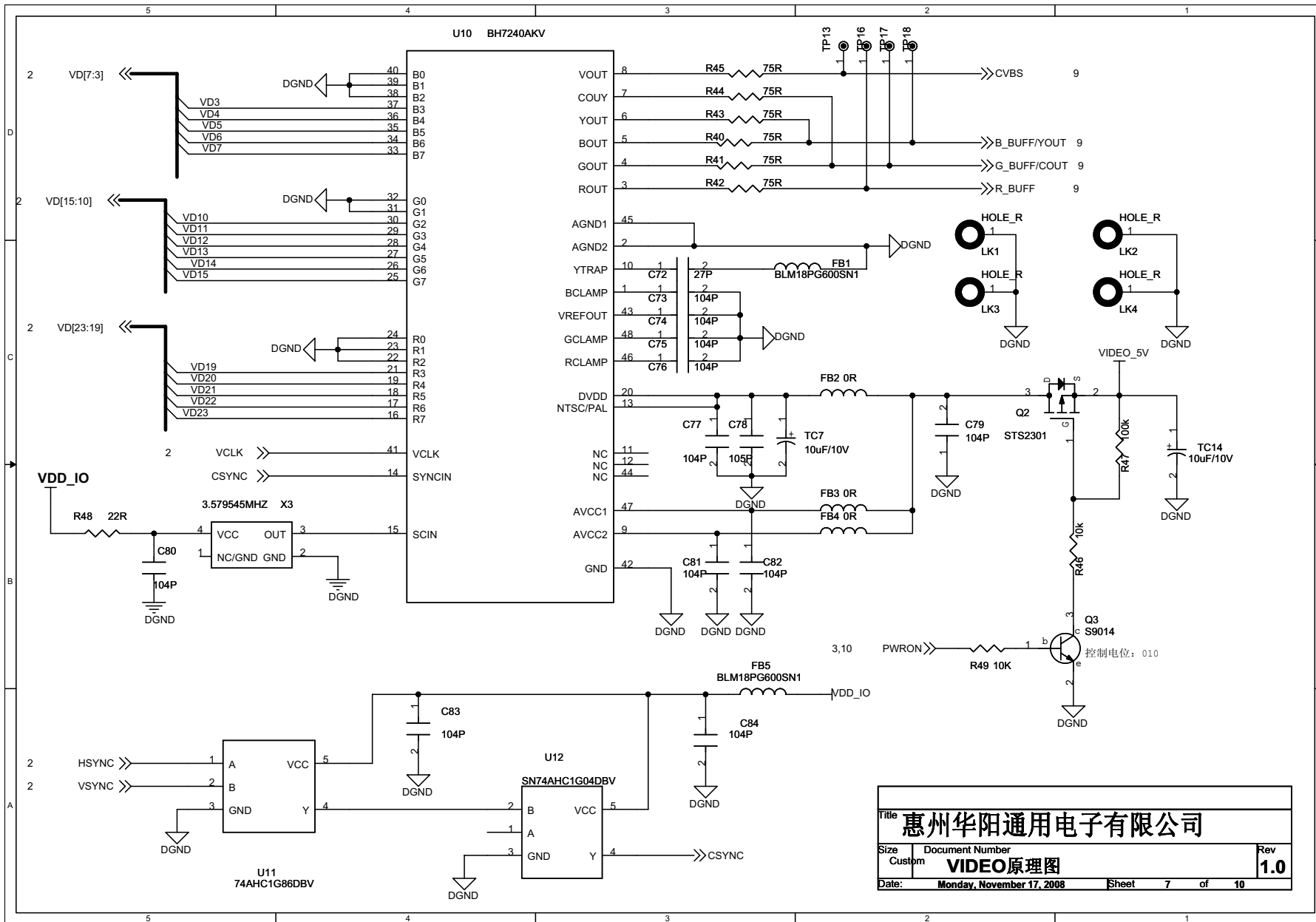
D2 RB160M-40
 WP#接高电平允许擦除和写入;
 接低电平禁止擦除和写入。
 复位时禁止写入

Title 惠州华阳通用电子有限公司		
Size	Document Number	Rev
Custom	NAND FLASH原理图	1.0
Date:	Monday, November 17, 2008	Sheet 5 of 10

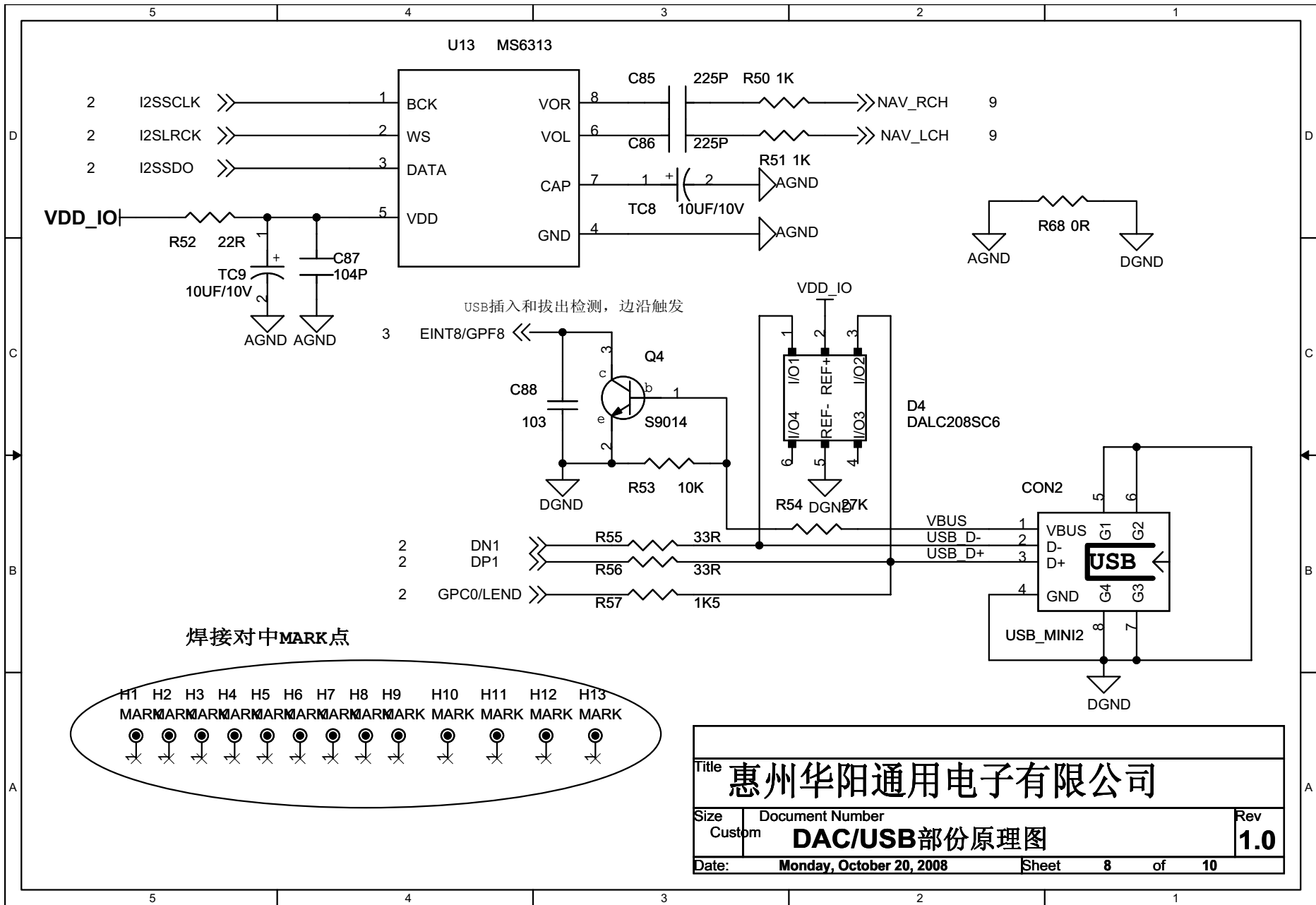


Title 惠州华阳通用电子有限公司		
Size Custom	Document Number 系统电源部份原理图	Rev 1.0
Date: Friday, November 14, 2008	Sheet 6	of 10

GPS BOARD - CIRCUIT DIAGRAM



Title 惠州华阳通用电子有限公司		
Size Custom	Document Number VIDEO原理图	Rev 1.0
Date: Monday, November 17, 2008	Sheet 7 of 10	



Title 惠州华阳通用电子有限公司		
Size Custom	Document Number DAC/USB部份原理图	Rev 1.0
Date: Monday, October 20, 2008	Sheet 8 of 10	

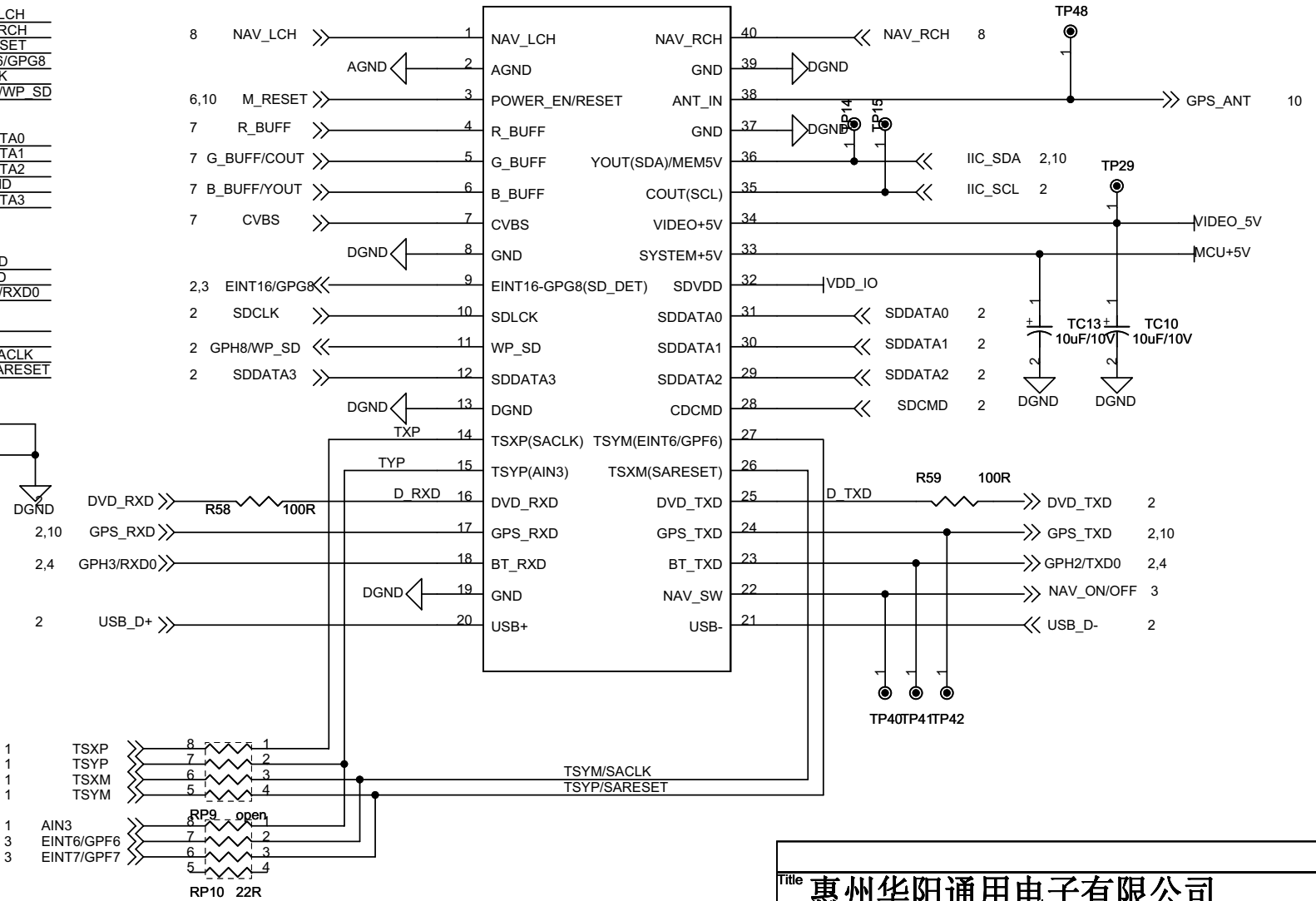
TP19	1	NAV_LCH
TP20	1	NAV_RCH
TP21	1	M_RESET
TP22	1	EINT16/GPG8
TP23	1	SDCLK
TP24	1	GPH8/WP_SD

TP25	1	SDDATA0
TP26	1	SDDATA1
TP27	1	SDDATA2
TP28	1	SDCMD
TP30	1	SDDATA3

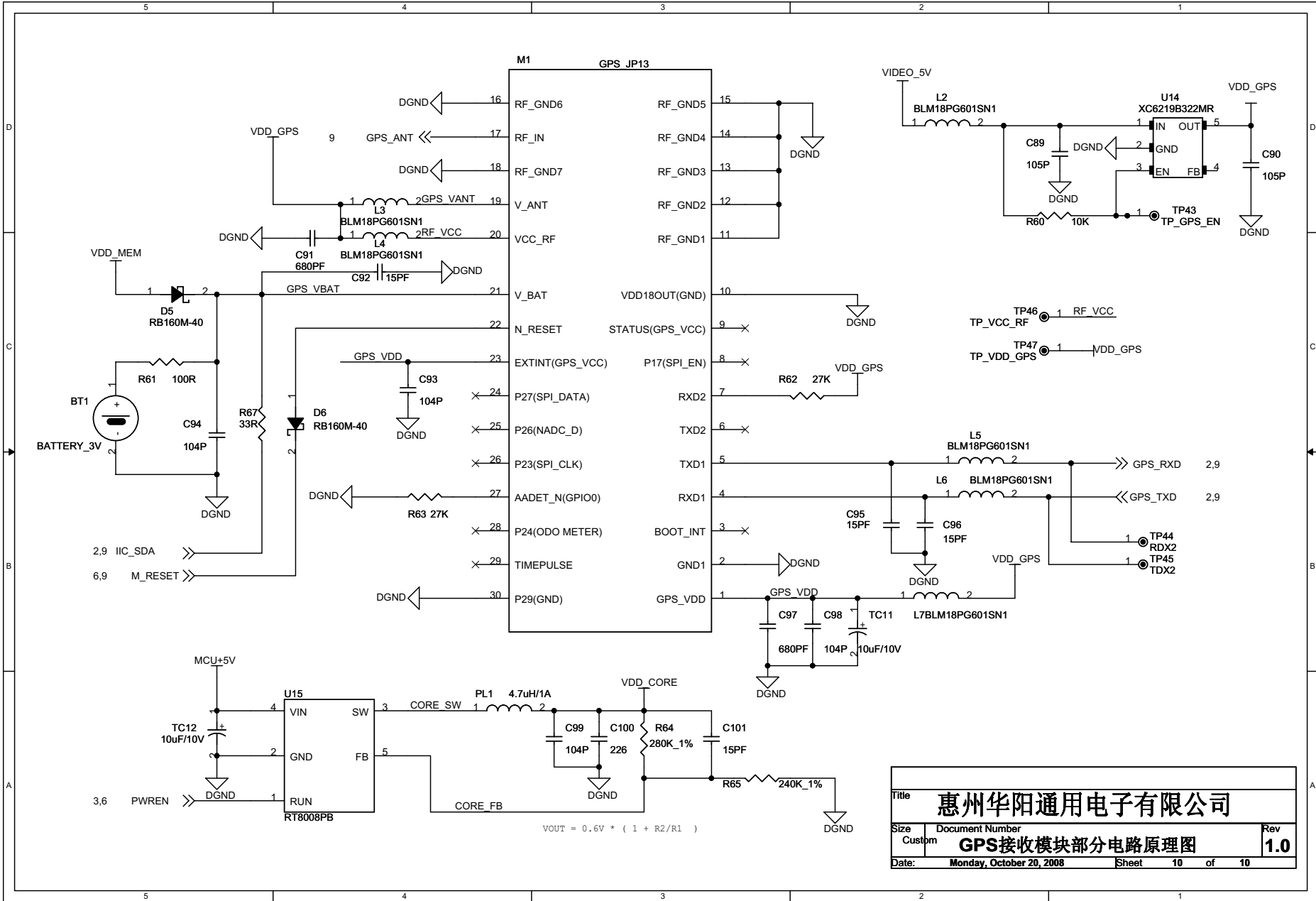
TP31	1	D_RXD
TP32	1	D_TXD
TP33	1	GPH3/RXD0

TP34	1	TXP
TP35	1	TYP
TP36	1	TSYM/SACLK
TP37	1	TSYP/SARESET

TP38	1	
TP39	1	



Title 惠州华阳通用电子有限公司		
Size Custom	Document Number 接口部分电路原理图	Rev 1.0
Date: Monday, November 17, 2008	Sheet 9	of 10



Title		
惠州华阳通用电子有限公司		
Size	Document Number	Rev
Custom	GPS接收模块部分电路原理图	1.0
Date:	Monday, October 20, 2008	Sheet 10 of 10