



4 Channel Audio Processor

PT2312

DESCRIPTION

PT2312 is a four-channel digital control audio processor utilizing CMOS Technology. Volume, Bass, Balance, Front/Rear Fader Processor, Selectable Input Gain are incorporated into a single chip having the highest performance and reliability with the least external components. All functions are programmable using the I²C Bus. PT2312 is housed in 32-pin, SOP Package. 4 stereo inputs with selectable input gain, 2-band tone control (treble & bass), balance, fader and loudness function are incorporated into a single chip having the highest performance and reliability. Pin assignments and application circuits are optimized for easy PCB layout and cost saving advantages.

FEATURES

- CMOS technology
- Least external components
- Treble and Bass control
- Loudness function
- 4 stereo inputs with selectable input gain
- Input/output for external noise reduction system/equalizer
- 4 independent speaker controls for Fader and Balance
- Independent mute function
- Volume control in 1.25dB/step
- Low distortion
- Low noise and DC stepping
- Controlled by I²C bus micro-processor interface
- Available in 32 pins, SOP package

APPLICATIONS

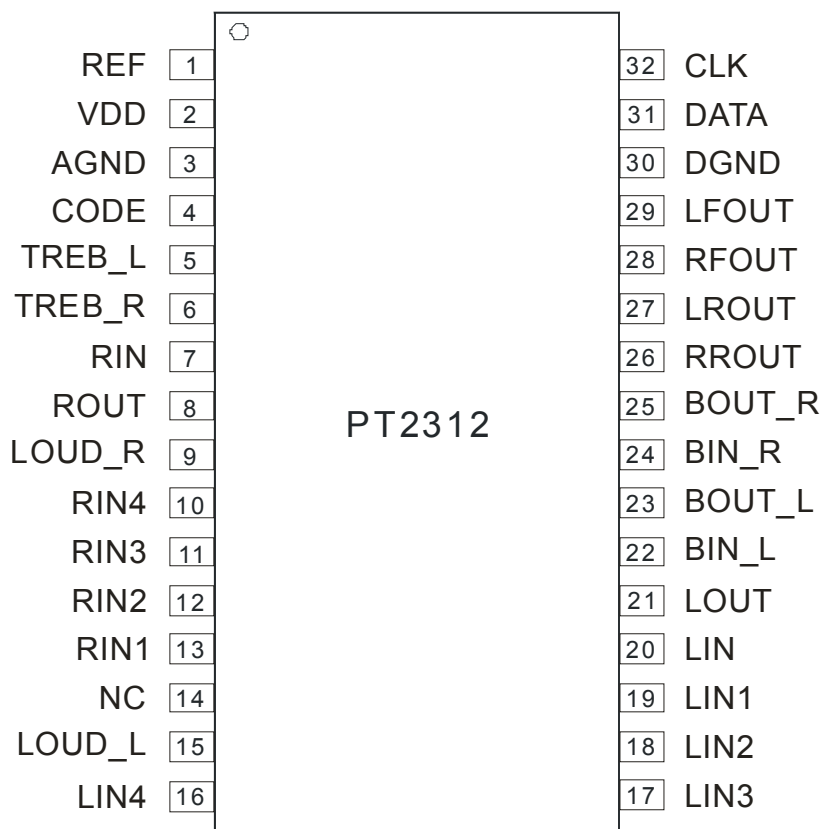
- Car stereo (Audio)
- Hi-Fi audio system
- LCD monitor

Note:

Purchase of I²C Component of Princeton Technology Corporation (PTC) conveys a license under Philips I²C Patent Right to use these components in any I²C System, provided that the system conforms to the I²C Standard Specification defined by Philips.



PIN CONFIGURATION

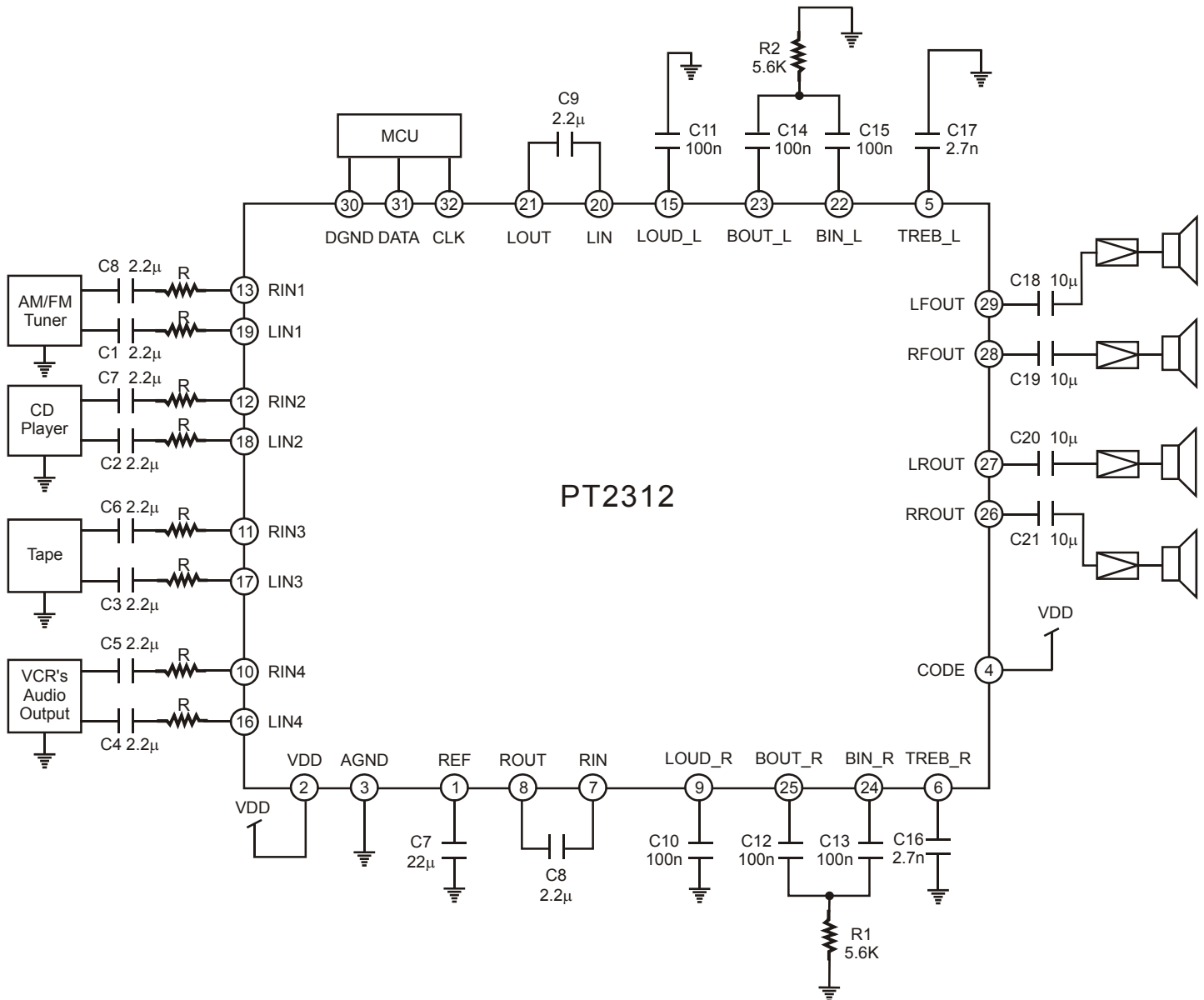




4 Channel Audio Processor

PT2312

APPLICATION CIRCUIT



Notes:

1. The Resistor (R) Range=2.0KΩ to 3.6KΩ.
2. Resistor (R) Recommended Value=2.4KΩ.



ORDER INFORMATION

Valid Part Number	Package Type	Top Code
PT2312	32 Pins, SOP, 300mil	PT2312
PT2312 (L)	32 Pins, SOP, 300mil	PT2312

Notes:

1. (L), (C) or (S) = Lead Free.
2. The Lead Free mark is put in front of the date code.