

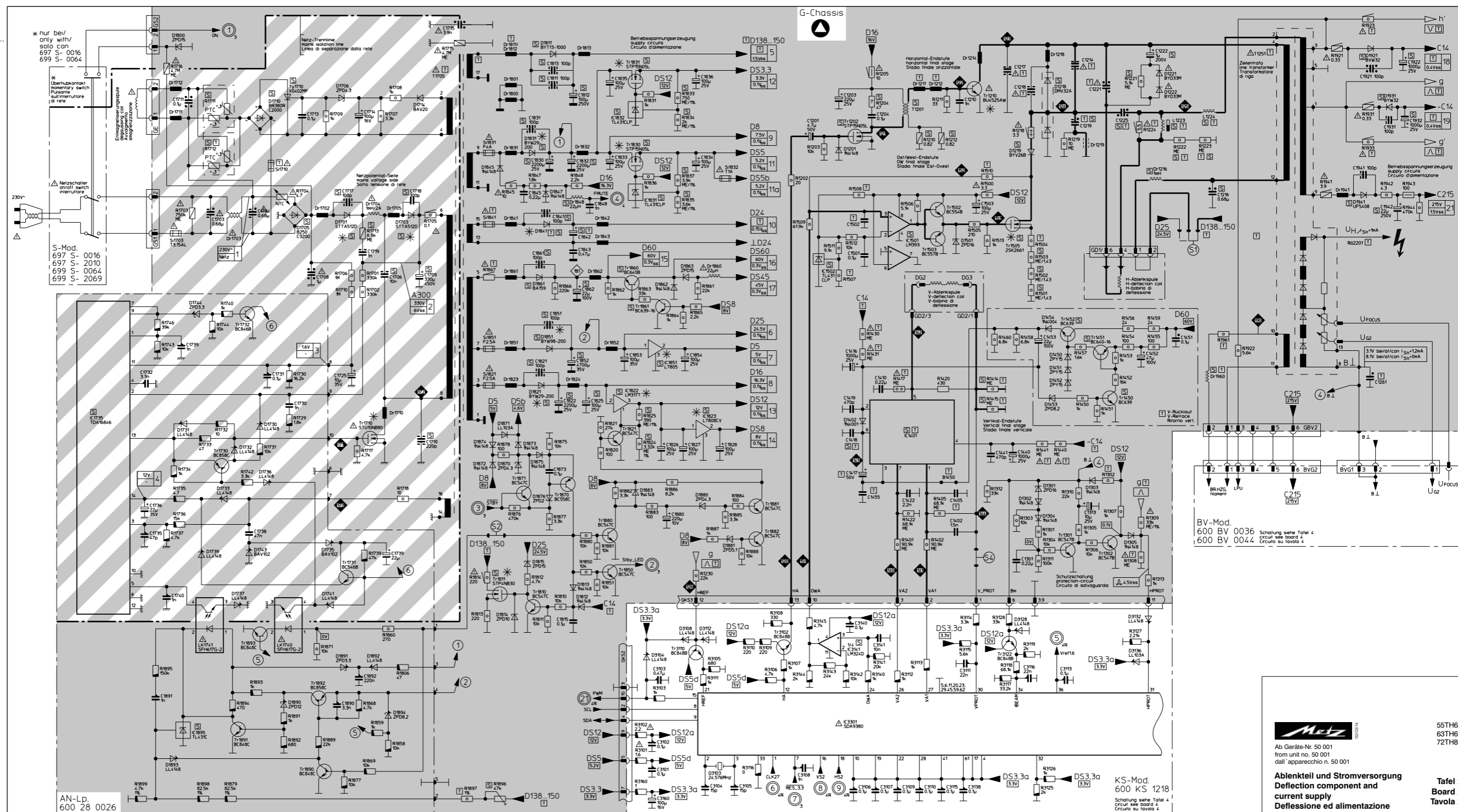
T BESTÜCKUNGSVARIANTEN/
 Components variants
 Varianti componenti CHASSIS 600 G.

Hochspannung bei 1mA Strahlstrom/
 EAT at 1mA Iray/
 EAT con 1mA Iraggio!

Chassis 600	G- 1056	G1 1069	G1 2074
Rö 2201	A 51 LSK 955A08	A 60 LUO 085A05	A 68 ESF 002A15
Hochspannung	28.5kV	30kV	30kV
D138/150	14.0V	14.2V	14.2V
D24	24V	24V	28V
C14	12V	14.5V	14.5V
-C14	-12V	-14.5V	-14.5V
g (H-Impuls)	112V	124V	124V
g'	-	124V	-
h'	-	124V	-
T1251	H32-19	1182.1417	1182.1417
T1705	5454507000	5454507000	5454506900
	Dr1811	Dr1811	Dr1811
	Pin19	Pin19	Pin19
IC1401	TDA8172	TDA8172	TDA8172
L1223	054	004	048
L1224	210µH	210µH	210µH
D1841	PFR856	PFR856	BYW29-200
Si1710	T2.5A	T2.5A	T2.5A
Si1841	F2.5A	F2.5A	F2.5A
C1214	5.6n	10n	11n
C1217	220p	2.2n	1.5n
C1218	-	270p	270p
C1219	33n	22n	22n
C1221	0.33µ	0.62µ	0.62µ
C1225	0.33µ	0.62µ	0.68µ
C1261	0.33µ	0.27µ	0.33µ
C1405	1n	2.7n	1n
C1417	220µ	220µ	220µ
C1418	0.1µ	0.1µ	0.1µ
C1455	-	-	-
C1502	470p	470p	470p
C1842	1000µ	1000µ	2200µ
R1224	47	220	220
R1302	5.6k	5.1k	4.7k
R1308	2.43k	1.82k	1.91k
R1414	2.74	2.2	1.8
R1415	3	2.2	1.8
R1417	1.5	1.5	1.5
R1430	1.8	1.8	1.8
R1431	1.8	1.8	1.8
R1440	1.8	1.8	1.8
R1441	1.8	1.8	1.8
R1504	-	1.43	1.43
R1507	4.32k	4.32k	3.74k
R1508	1k	1k	4.32k
R1510	430k	430k	430k
R1712	-	jd	-
R1867	47	47	47
R1897	0204	0204	0204
R1923	-	1	-
R1933	-	1	-
R1961	2.74	-	0.68
Dr1211	-	-	-
Dr1212	-	-	-
Dr1960	10µH	33µH	33µH
B1450	-	-	-
V-Rücklauf	-	-	-

600 46 2052-7/2

Technische Änderungen
 und Irrtümer vorbehalten!
 Subject to technical changes.
 Errors and omissions excepted!
 Salvo errori e riserva di modifica!



AN-Lp. 600 28 0026

KS-Mod. 600 KS 1218


 Ab Geräte-Nr. 50 001
 from unit no. 50 001
 dall' apparecchio n. 50 001

Ablenkteil und Stromversorgung
Deflection component and
current supply
Deflessione ed alimentazione

56TH68
 63TH63
 72TH87
Tafel 2
Board 2
Tabola 2

Chassis 600 G. 600 46 2052.A2