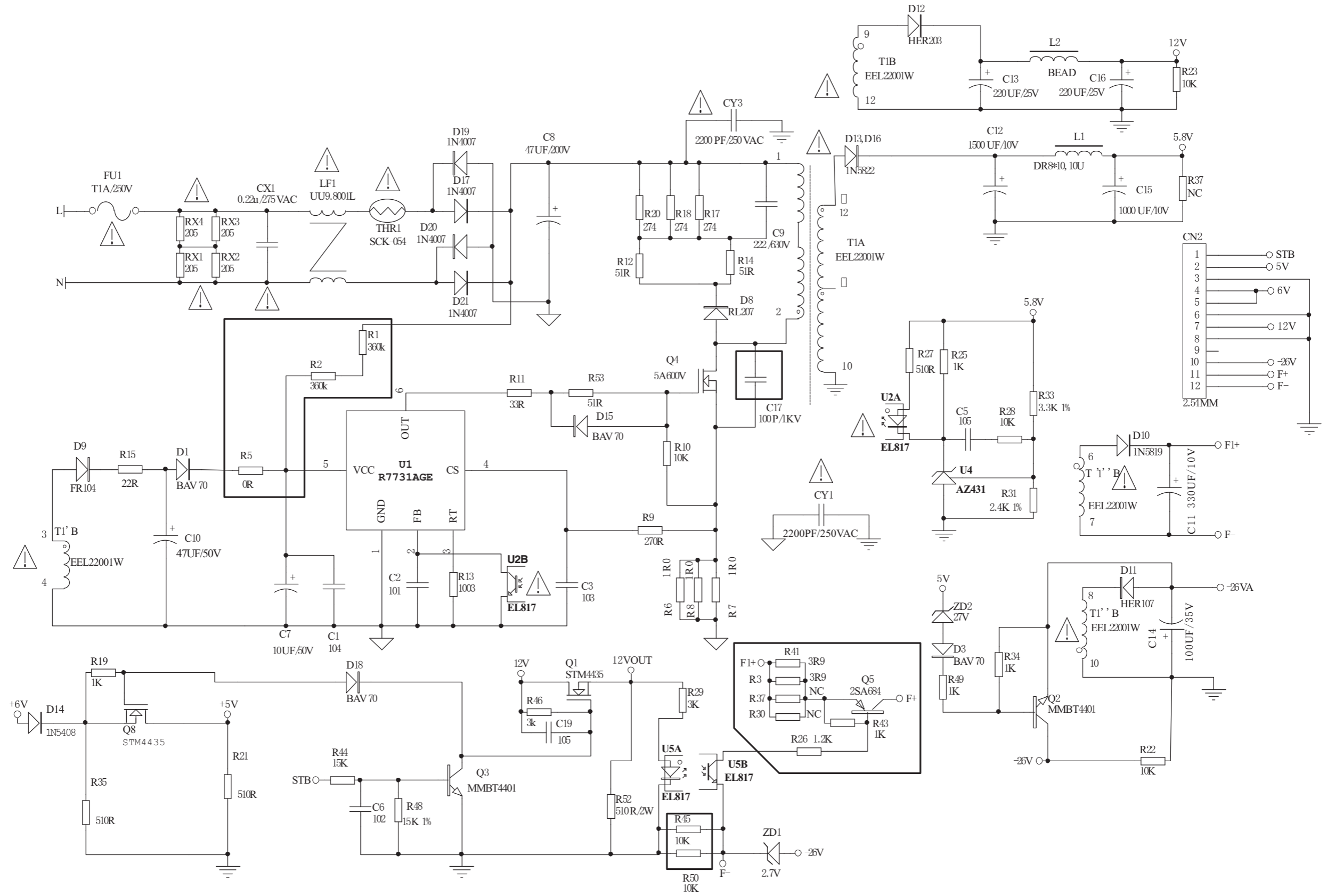


Power Supply Circuit Diagram



⚠ Means: For security reasons, a particular component can only be replaced by some components specified in the document.