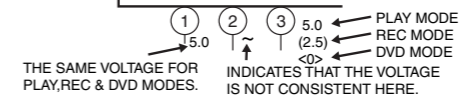


**Comparison Chart of Models and Marks**

MODEL	MARK
DVP620VR/00	A
DVP620VR/05	B
DVP620VR/02	C

Voltage indications for PLAY, REC and DVD modes on the Schematic Diagrams are as shown below:

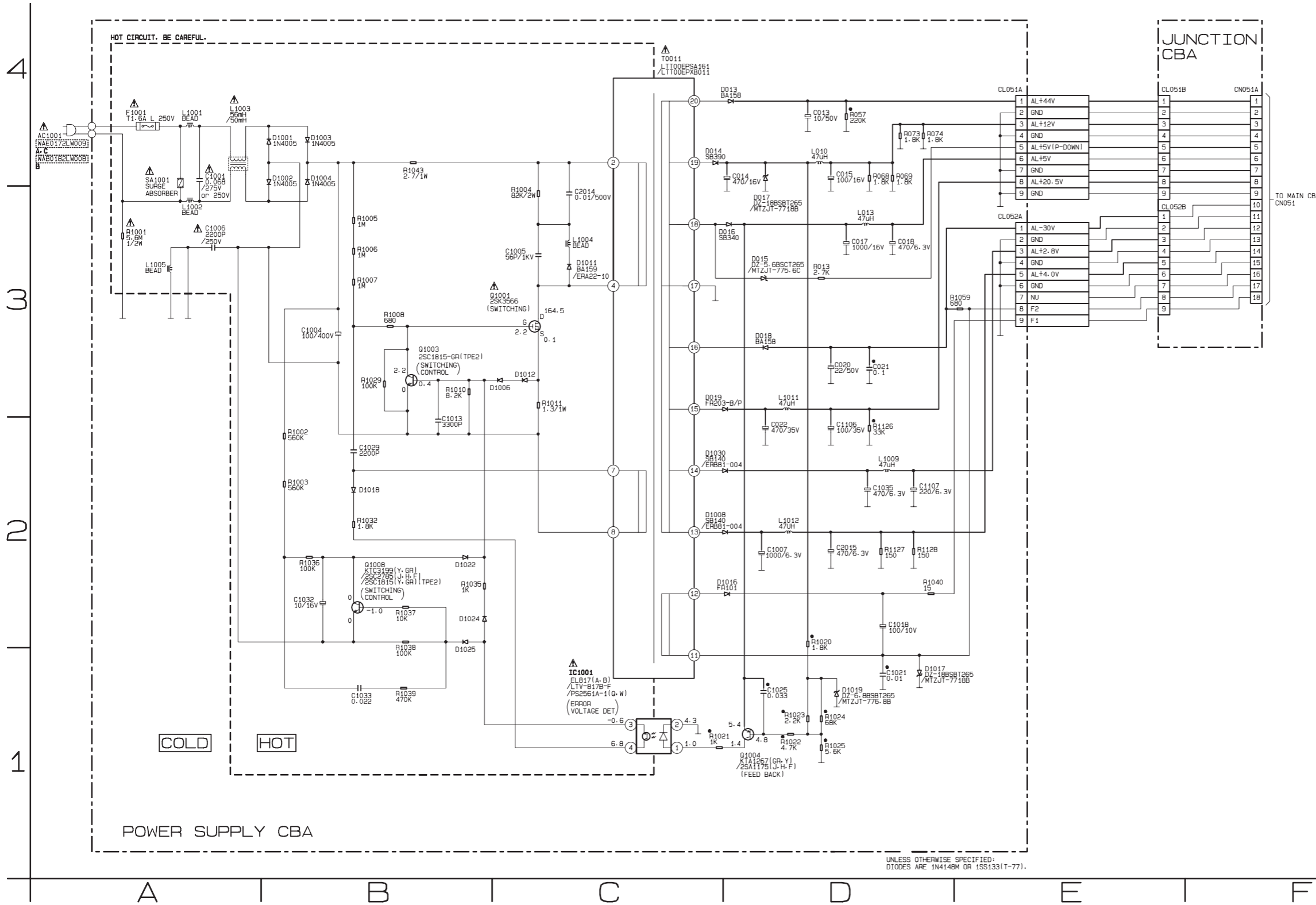


\*● = SMD

**CAUTION !**  
For continued protection against fire hazard, replace only with the same type fuse.

**NOTE :**  
The voltage for parts in hot circuit is measured using hot GND as a common terminal.

**CAUTION !**  
Fixed voltage ( or Auto voltage selectable ) power supply circuit is used in this unit. If Main Fuse (F1001) is blown, check to see that all components in the power supply circuit are not defective before you connect the AC plug to the AC power supply. Otherwise it may cause some components in the power supply circuit to fail.



POWER SUPPLY Schematic Diagram  
Parts Location Guide

Ref No.	Position	Ref No.	Position
CAPACITORS			
C013	D-4	L010	D-4
C014	D-4	L013	D-3
C015	D-4	L1001	A-4
C017	D-3	L1002	A-3
C018	D-3	L1003	A-4
C020	D-3	L1004	C-3
C021	D-3	L1005	A-3
C022	D-2	L1009	D-2
C1001	A-4	L1011	D-3
C1004	B-3	L1012	D-2
C1005	C-3	TRANSISTORS	
C1006	A-3	Q1001	C-3
C1007	D-2	Q1003	B-3
C1013	B-2	Q1004	D-1
C1018	D-2	Q1008	B-2
C1021	D-1	RESISTORS	
C1022	D-1	R1013	D-3
C1025	D-1	R057	D-4
C1029	B-2	R068	D-4
C1032	B-2	R069	D-4
C1033	B-1	R073	D-4
C1035	D-2	R074	D-4
C1106	D-2	R1001	A-3
C1107	D-2	R1002	B-2
C2014	C-3	R1003	B-2
C2015	D-2	R1004	C-3
CONNECTORS			
CL051A	E-4	R1006	B-3
CL052A	E-3	R1007	B-3
DIODES			
D013	D-4	R1010	B-3
D014	C-4	R1011	C-3
D015	D-3	R1020	D-2
D016	D-3	R1021	C-1
D017	D-3	R1022	D-1
D018	D-3	R1023	D-1
D019	D-3	R1024	D-1
D1001	B-4	R1025	D-1
D1002	B-4	R1029	B-3
D1003	B-4	R1032	B-2
D1004	B-4	R1035	B-2
D1006	C-3	R1036	B-2
D1008	D-2	R1037	B-2
D1011	C-3	R1038	B-2
D1012	C-3	R1039	B-1
D1016	D-2	R1040	D-2
D1017	D-1	R1043	B-4
D1018	B-2	R1059	E-3
D1019	D-1	R1127	D-2
D1022	B-2	R1128	D-2
D1024	B-2	R1226	D-2
D1025	B-2	MISCELLANEOUS	
D1026	D-1	AC1001	A-4
D1030	D-2	F1001	A-4
IC		SA1001	A-3
IC1001	C-1	T0011	C-4