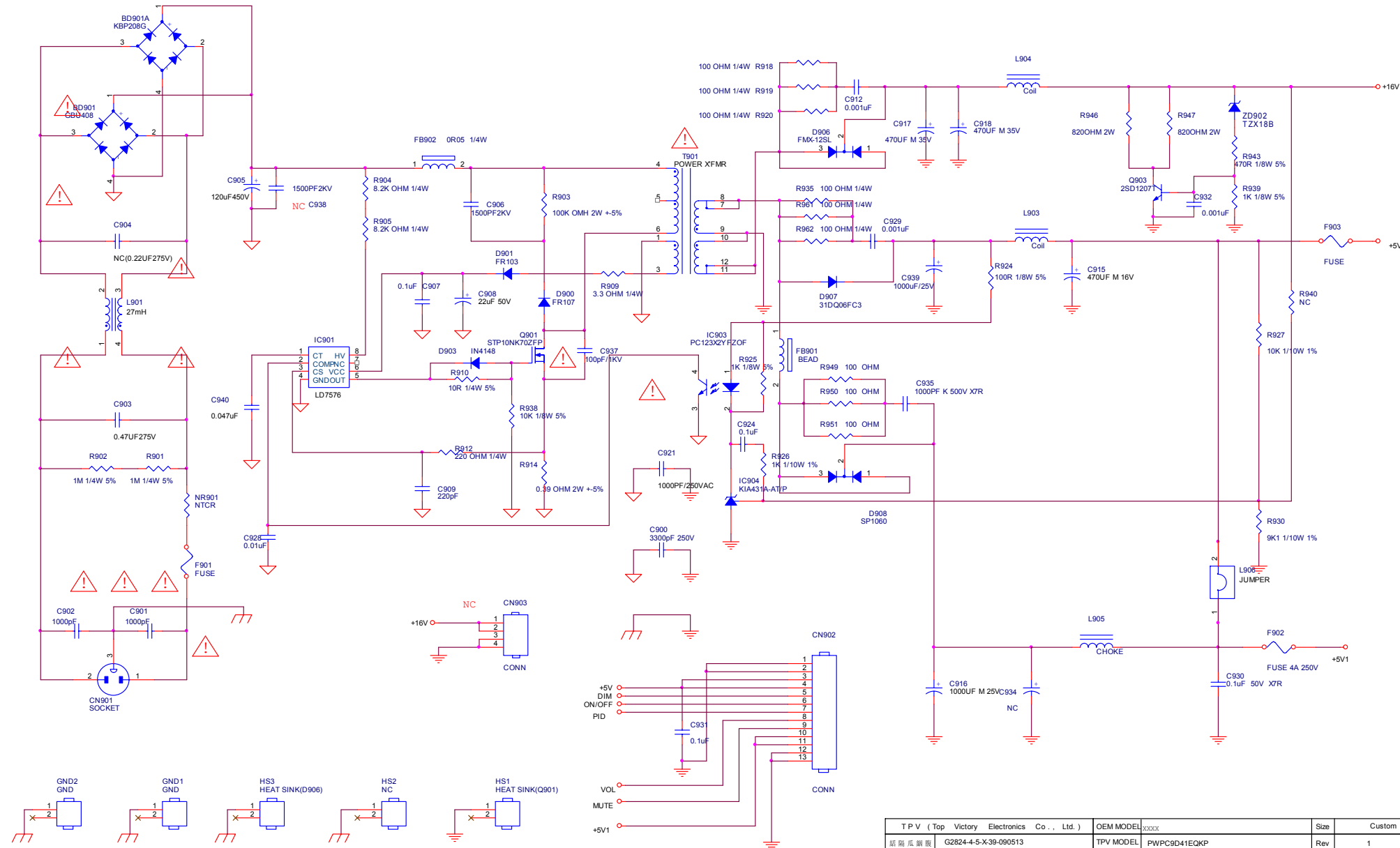
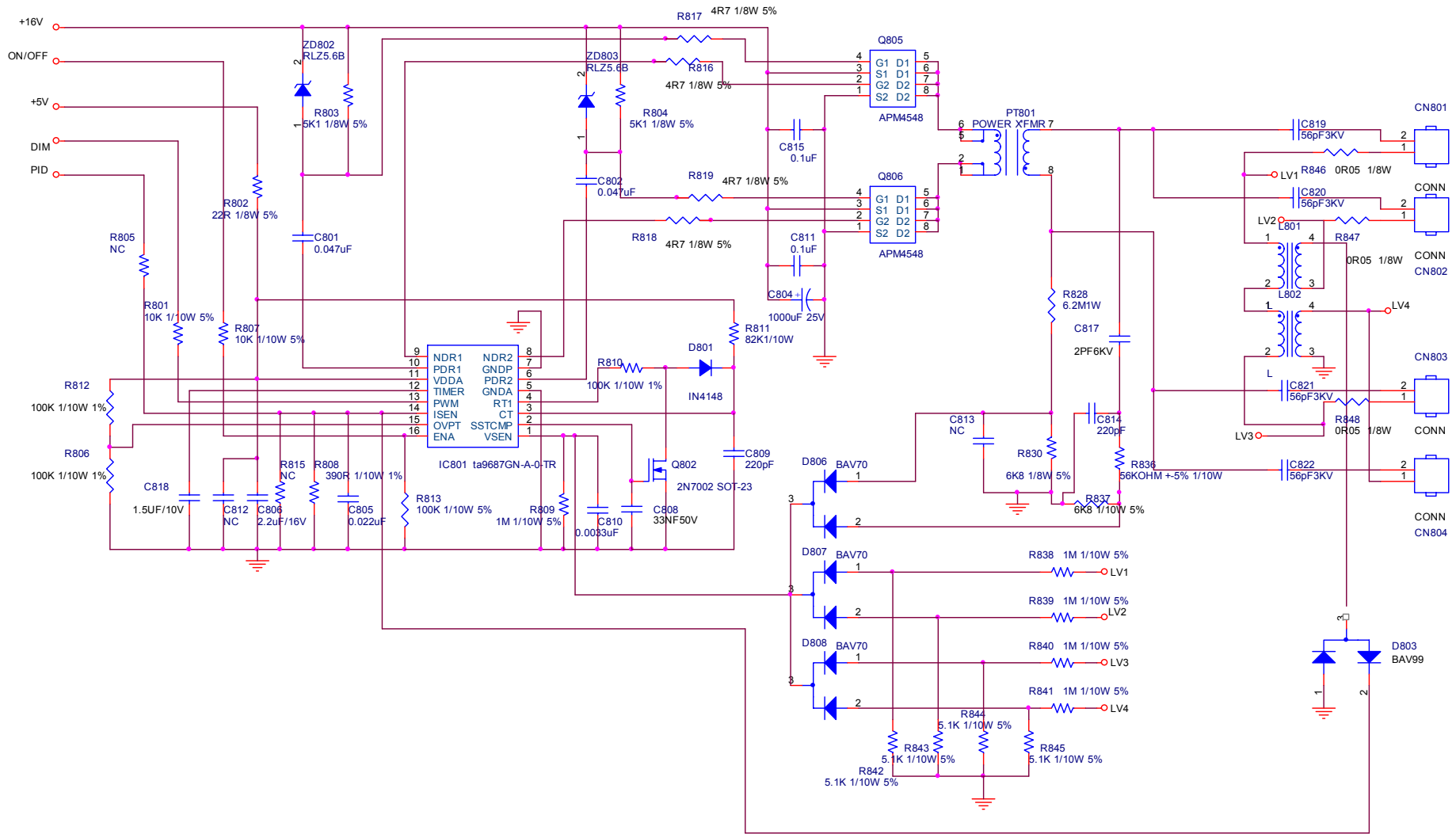


Power board



T P V (Top Victory Electronics Co., Ltd.)	OEM MODEL xxxxxx	Size	Custom
威爾瓜 網廠	G2824-4-5-X-39-090513	TPV MODEL	PWPC9D41EQKP
Key Component	03.POWER	PCB NAME	715G2824-4-5
Date	Wednesday, May 13, 2009	Sheet	1 of 3



TPV (Top Victory Electronics Co., Ltd.)	OEM MODEL	xxxx	Size	Custom
絨隔瓜翁膜	G2824-4-5-X-39-090513	TPV MODEL	PWPC9D41EQKP	Rev 1
Key Component	02.INVERTER	PCB NAME	715G2824-4-5	称参 ODM MODEL
Date	Wednesday, May 13, 2009	Sheet	1 of 3	