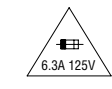
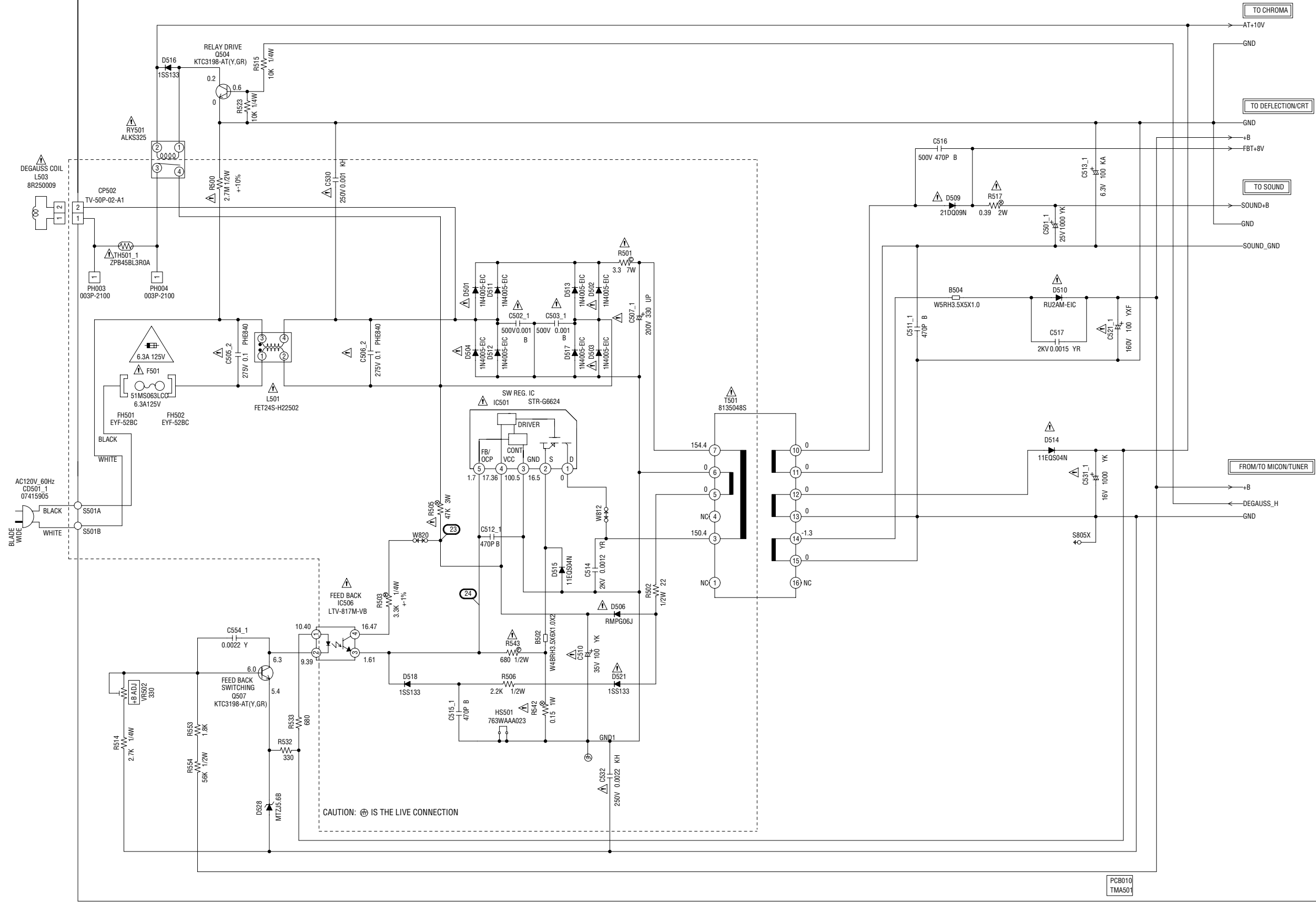


POWER SCHEMATIC DIAGRAM (MAIN PCB)



CAUTION: FOR CONTINUED PROTECTION AGAINST FIRE HAZARD,
REPLACE ONLY WITH THE SAME TYPE FUSE
6.3A 125V(F501)

ATTENTION: POUR UNE PROTECTION CONTINUE LES RISQUES D'INCEIE
UTILISER QUE DES FUSIBLE DE MEME TYPE
6.3A 125V(F501)

NOTE: THIS SCHEMATIC DIAGRAM IS THE LATEST AT THE TIME
OF PRINTING AND SUBJECT TO CHANGE WITHOUT NOTICE.

NOTE: THE DC VOLTAGE AT EACH PART WAS MEASURED
WITH THE DIGITAL TESTER WHEN THE COLOR BROADCAST
WAS RECEIVED IN GOOD CONDITION AND PICTURE IS NORMAL.

ATTENTION: LES PIECES REPARÉES PAR UN ETANT
DANGEREUSES AN POINT DE VUE SECURITE
N'UTILISER QUE CELLS DECRITES
DANS LA NOMENCLATURE DES PIECES.

CAUTION: SINCE THESE PARTS MARKED BY ARE
CRITICAL FOR SAFETY, USE ONES
DESCRIBED IN PARTS LIST ONLY.

PCB010
TMA501