

CAUTION !

Fixed voltage (or Auto voltage selectable) power supply circuit is used in this unit.
If Main Fuse (F601) is blown, check to see that all components in the power supply circuit are not defective before you connect the AC plug to the AC power supply.
Otherwise it may cause some components in the power supply circuit to fail.

CAUTION

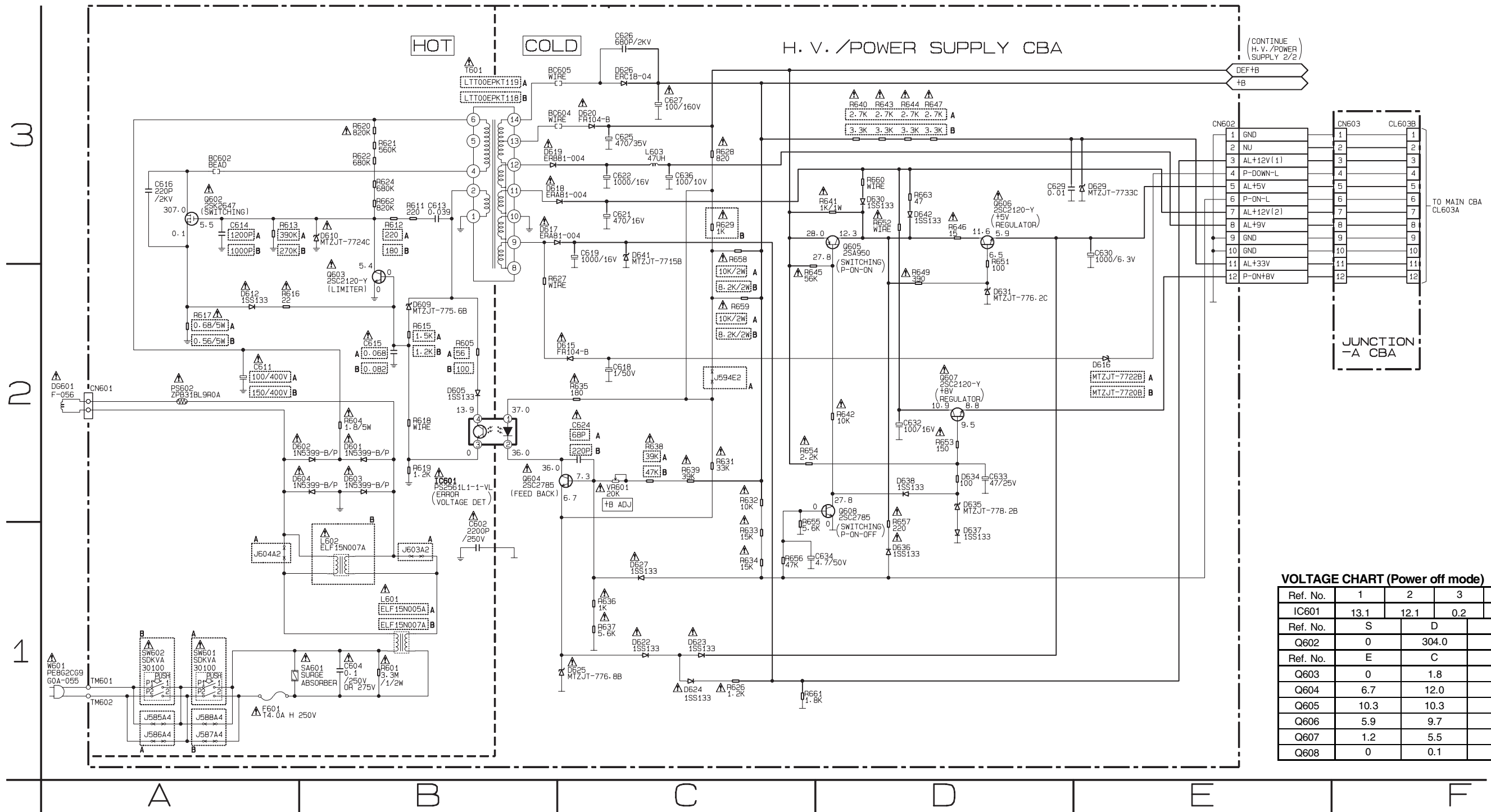
FOR CONTINUED PROTECTION AGAINST FIRE HAZARD,
REPLACE ONLY WITH THE SAME TYPE FUSE.

NOTE :

The voltage for parts in hot circuit is measured using hot GND as a common terminal.

Comparison Chart of Models and Marks

MODEL	MARK
T6605VF	A
T6705VF	B



VOLTAGE CHART (Power off mode)

Ref. No.	1	2	3	4
IC601	13.1	12.1	0.2	1.6
Ref. No.	S	D	G	
Q602	0	304.0	1.8	
Ref. No.	E	C	B	
Q603	0	1.8	0.2	
Q604	6.7	12.0	7.3	
Q605	10.3	10.3	9.6	
Q606	5.9	9.7	6.5	
Q607	1.2	5.5	1.2	
Q608	0	0.1	0.7	