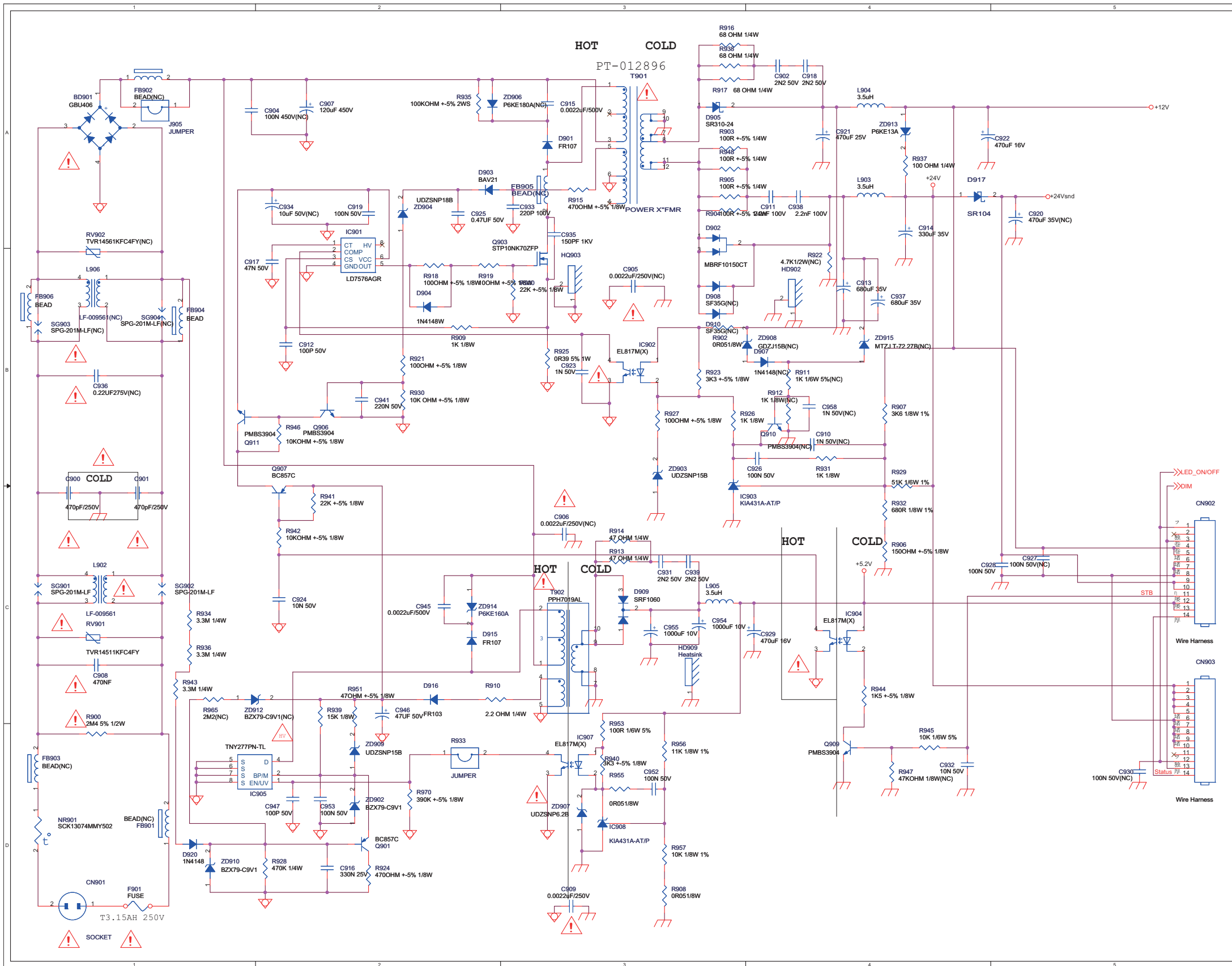


Power Board: 26"

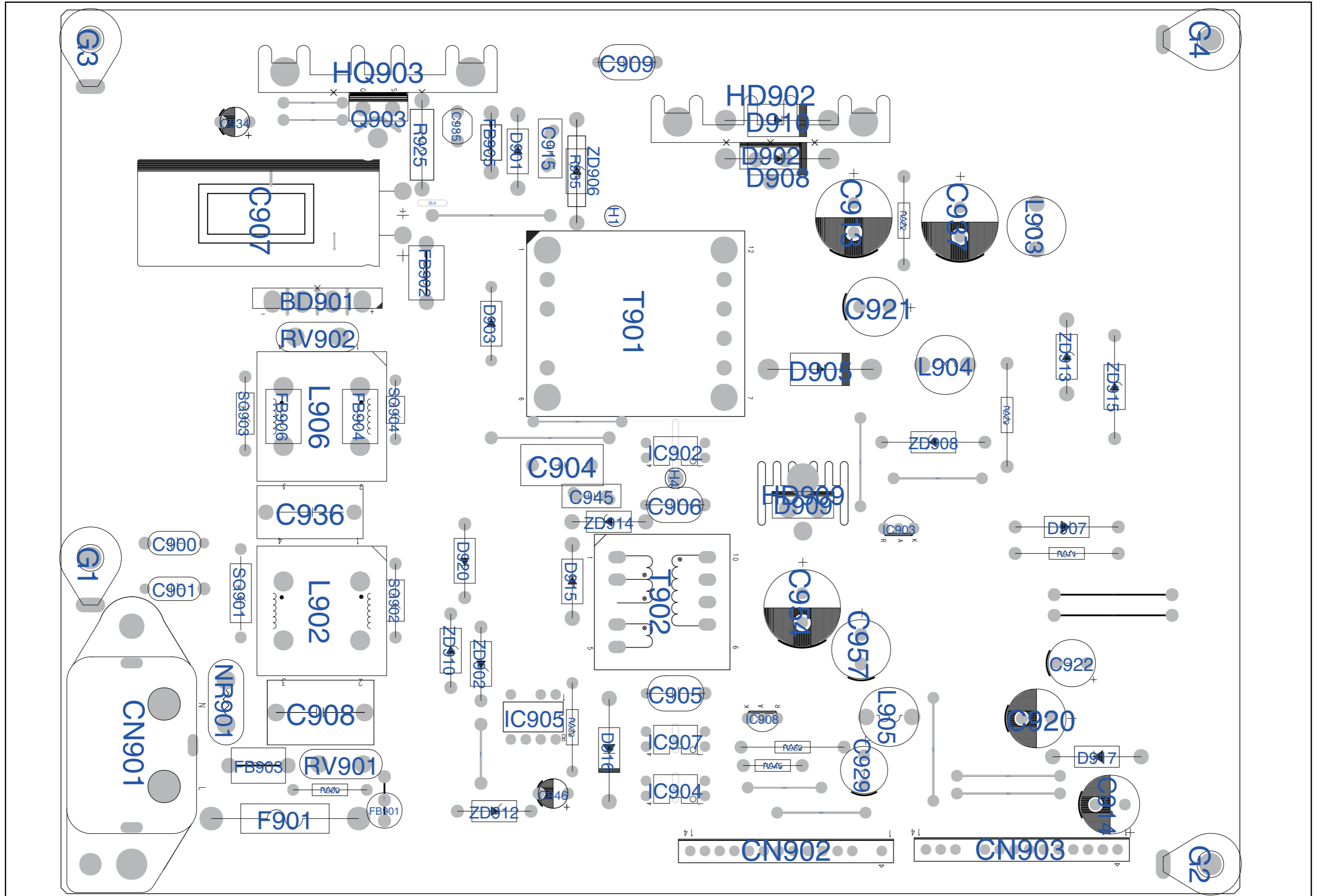
A01 Adapter

A01



BD901	A1	L905	C3
C900	B1	L906	B1
C901	B1	NR901	D1
C902	A4	Q901	D2
C904	A1	Q903	B3
C905	B3	Q906	B2
C906	C3	Q907	B2
C907	A2	Q909	D4
C908	C1	Q910	B4
C909	D3	Q911	B1
C910	B4	R900	C1
C911	A4	R902	B3
C912	B2	R903	A3
C913	B4	R904	A3
C914	A4	R905	A3
C915	A3	R906	C4
C916	D2	R907	B4
C917	B2	R908	D3
C918	A4	R909	B2
C919	A2	R910	C2
C920	A5	R911	B4
C921	A4	R912	B4
C922	A4	R913	C3
C923	B3	R914	C3
C924	C2	R915	A3
C925	A2	R916	A3
C926	B4	R917	A3
C927	C5	R918	B2
C928	C4	R919	B2
C929	C3	R920	B3
C930	D5	R921	B2
C931	C3	R922	B4
C932	D4	R923	B3
C933	A3	R924	D2
C934	A2	R925	B3
C935	A3	R926	B3
C936	B1	R927	B3
C937	B4	R928	D2
C938	A4	R929	B4
C939	C3	R930	B2
C941	B2	R931	B4
C945	C2	R932	C4
C946	C2	R933	D2
C947	D2	R934	C1
C952	D3	R935	A2
C953	D2	R936	C1
C954	C3	R937	A4
C955	C3	R938	A3
C958	B4	R939	C2
CN901	D1	R940	D3
CN902	C5	R941	C2
CN903	C5	R942	C2
D901	A3	R943	C1
D902	A3	R944	C4
D903	A2	R945	D4
D904	B2	R946	B2
D905	A3	R947	D4
D907	B4	R948	A3
D908	B3	R951	C2
D909	C3	R953	C3
D910	B3	R955	D3
D915	C2	R956	D3
D916	C2	R957	D3
D917	A4	R965	C1
D920	D1	R970	D2
F901	D1	RV901	C1
FB901	D1	RV902	A1
FB902	A1	SG901	C1
FB903	D1	SG902	C1
FB904	B1	SG903	B1
FB905	A3	SG904	B1
FB906	B1	T901	A3
HD902	B4	T902	C3
HD909	C3	ZD902	D2
HQ903	B3	ZD903	B3
IC901	A2	ZD904	A2
IC902	B3	ZD906	A2
IC903	B3	ZD907	D3
IC904	C4	ZD908	B3
IC905	D1	ZD909	D2
IC907	D3	ZD910	D1
IC908	D3	ZD912	C1
J905	A1	ZD913	A4
L902	C1	ZD914	C2
L903	A4		
L904	A4		

Layout Power Board 26" (Top Side)



Layout Power Board 26" (Bottom Side)

