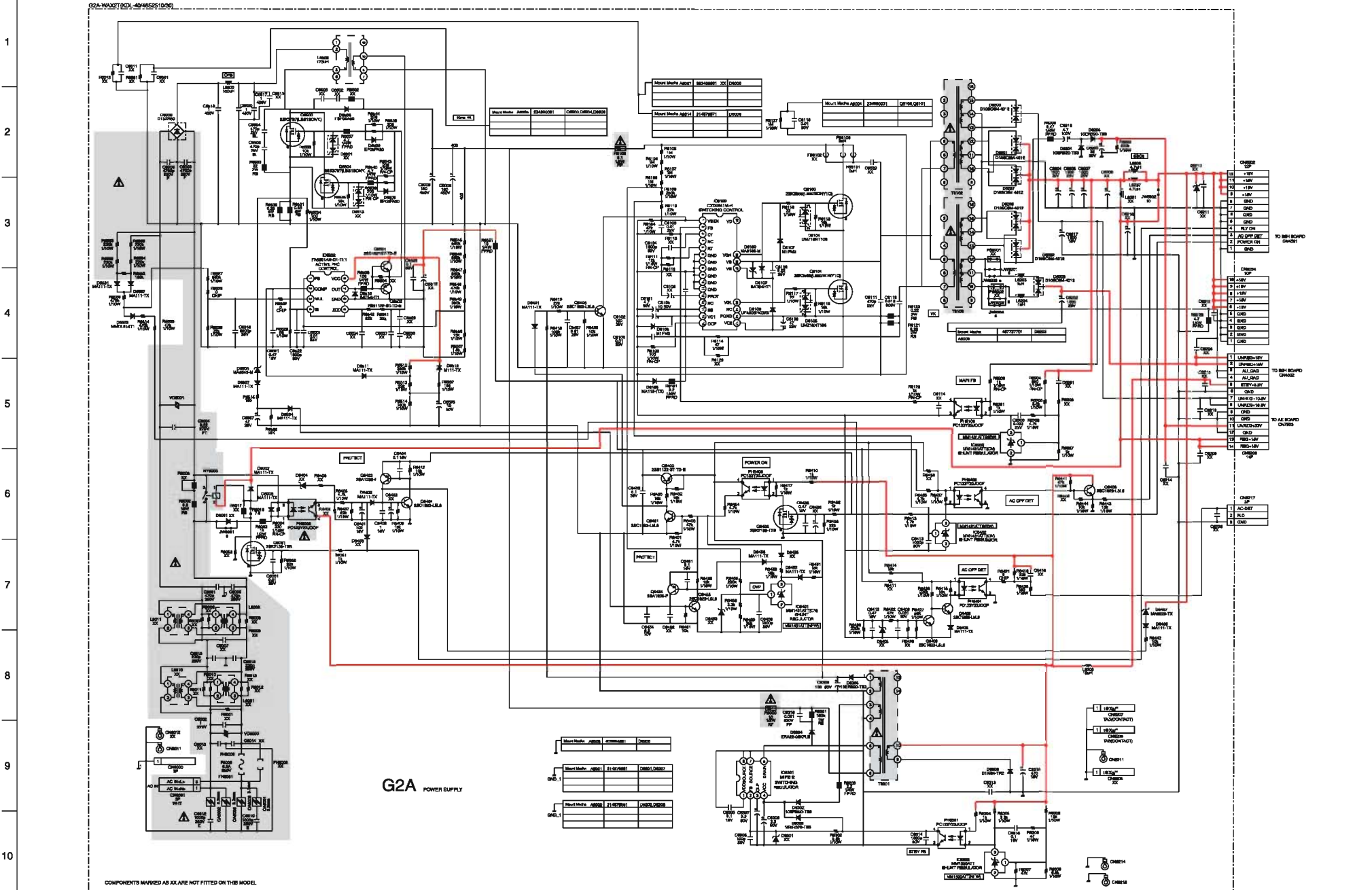


A B C D E F G H I J K L M N O



G2A POWER SUPPLY

~ G2A Board Schematic Diagram [Power Supply] ~