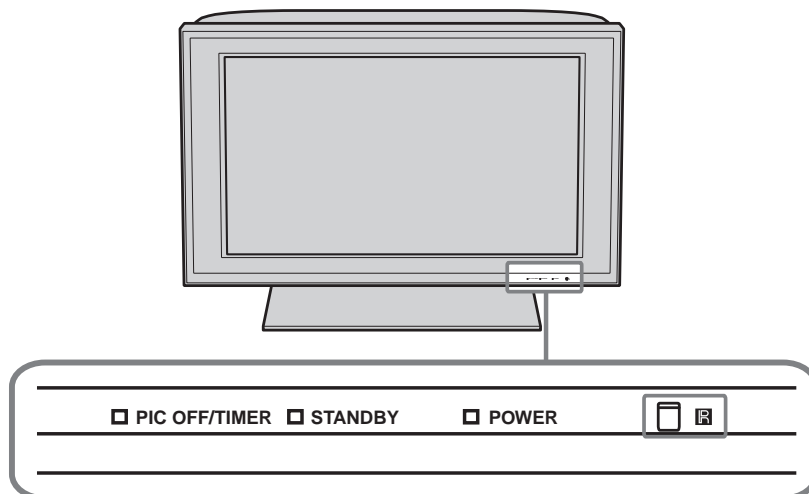


## SELF-DIAGNOSTIC FUNCTION

*Self Diagnosis*  
Supported model

### Control Buttons



### Description of LED Indicators

| LED                      | LED Type               | Description   |
|--------------------------|------------------------|---|
| POWER LED                | Green LED              | * Light when the TV set is on   |
| STANDBY LED              | Red LED                | * Lights up in red when TV is in PC standby mode.<br>* If LED blinks continuously, this may indicate that the TV needs servicing.   |
| PIC OFF/<br>TIMER<br>LED | Green or Orange<br>LED | * Lights up in green when Picture Off is activated<br>* Lights up in orange when the timer is set<br>When timer is set, the LED remains lit even when the TV is turned off. |

- One flash is not used for self-diagnosis.

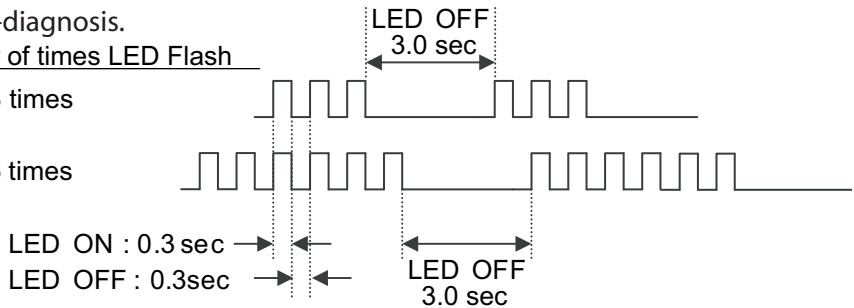
Example Diagnosis Number of times LED Flash

POW\_ERR1

3 times

BACKLITE

6 times



### Diagnostic Indicators

When an error occurs, the STANDBY LED flashes a set number of times to indicate the possible cause of the problem. If there is more than one error, the LED will identify the first of the problem areas. If the errors occur simultaneously, the one that corresponds to the fewest flashes is identified first. (Results for all of the following diagnostic items are displayed on screen. No error has occurred if the screen displays a "00")

1. TV must be in standby mode. (Power off).
2. Press the following buttons on the Remote Commander within a second of each other:

[DISPLAY] → Channel [5] → Volume [4] → [TV POWER].

The Self Check list displays.

↑ This differs from accessing Service Adjustments.

Information Indicator displays time of last 3 events  
(Not used in FIX2 models)

| LED              | Display  | Information Indicator |
|------------------|----------|-----------------------|
| SELF CHECK       |          |                       |
| 000 :            | ====     | 00                    |
| 002 :            | POW_OVP  | 00                    |
| 003 :            | POW_ERR1 | 00                    |
| 005 :            | T_CON    | 00                    |
| 006 :            | BACKLITE | 00                    |
| 007 :            | PANLTEMP | 01                    |
| 008 :            | AUD_PROT | 00                    |
| 009 :            | FAN_ERR  | 00                    |
| 010 :            | DTT_ERR  | 00                    |
| 011 :            | ====     | 00                    |
| 013 :            | BALANCER | 00                    |
| 101 :            | DTT_WDT  | 00                    |
| 102 :            | TVM_WDT  | 00                    |
| 103 :            | BEM_WDT  | 00                    |
| 00279-00053-0000 |          |                       |

← 0 indicates no error was detected  
← 1 indicates an error was detected

← Boot count and operation time

### Contents

====  
Power OVP  
Power Error  
T-CON Error  
Backlight Error  
Panel Temp Error  
Audio Protector  
Not Used in these models  
  
====  
Panel Error  
WDT- Watch Dog Timers  
(Watch Dog Timers  
are used to track  
micro processors,  
not to record errors.)

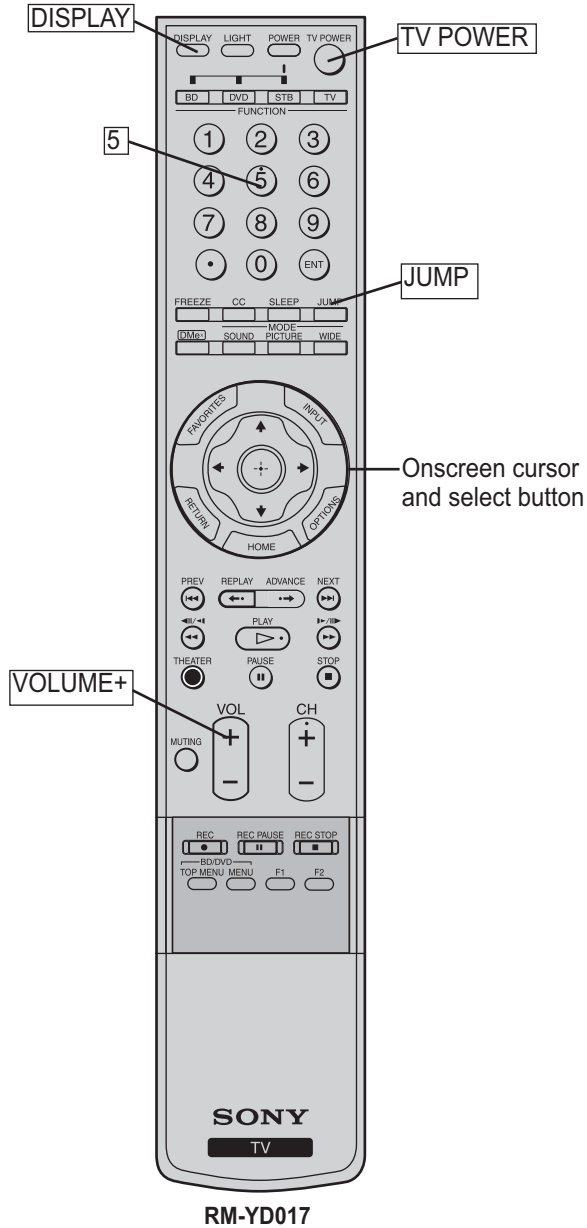
↑ Boot count (max 65535)  
↑ Operating Hours (max 65535)  
↑ Panel Hours (max 65535)

### Resetting the Diagnostic Indicators

After completing the repair of the set, reset the Self Check screen to set all the display results to "00".

1. TV must be in standby mode. (Power off).
2. Press [DISPLAY] → Channel [5] → Volume [4] → [TV POWER].
3. Press Channel [8], then press Channel [0]. To exit press [TV POWER].

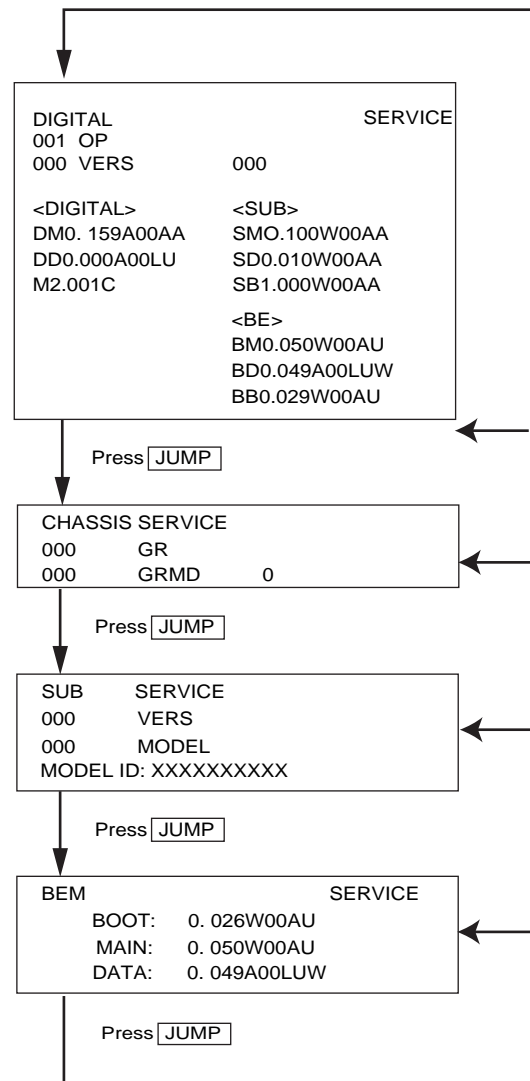
## SECTION 2: SERVICE ADJUSTMENTS



### 2-2. ACCESSING SERVICE ADJUSTMENTS

To adjust various set features, use the Remote Commander to put the set into service mode to display the service menus.

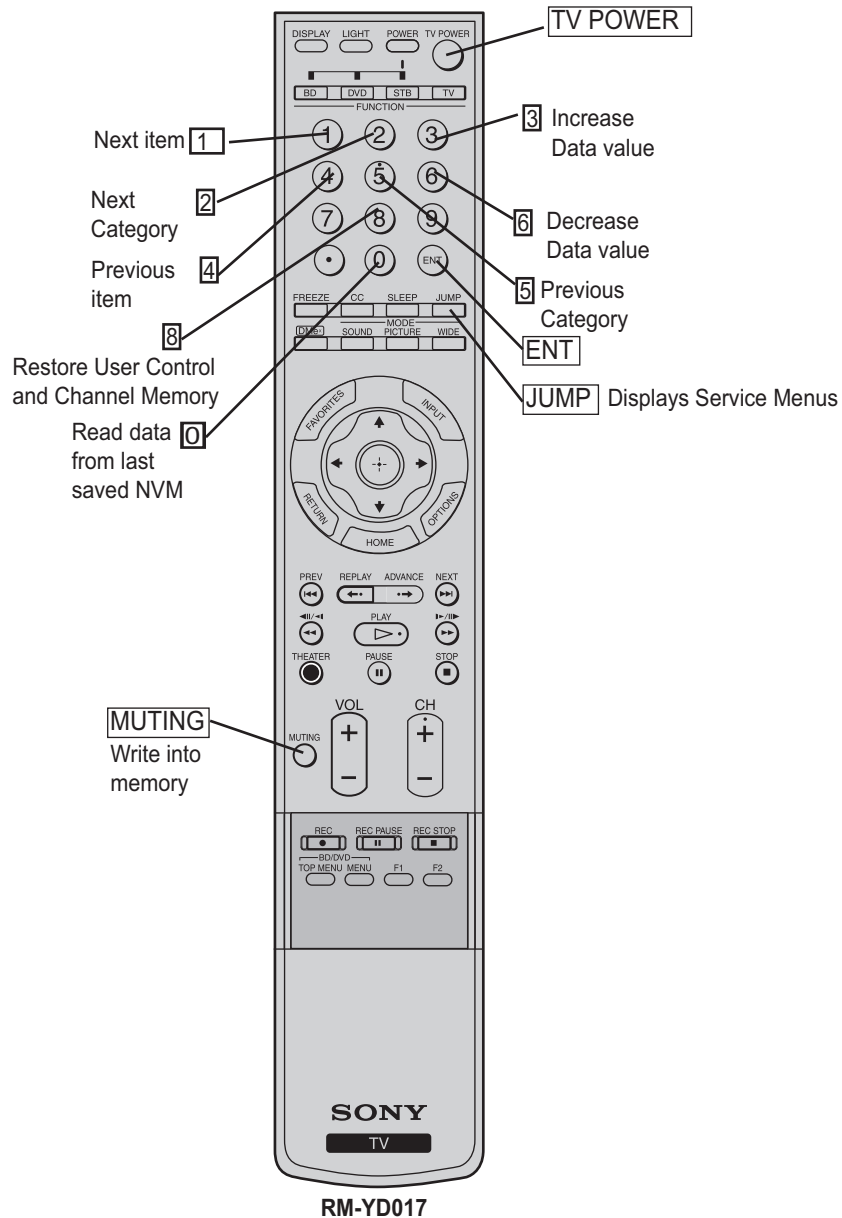
1. TV must be in standby mode. (Power off).
2. Press the following buttons on the Remote Commander within a second of each other:  
**[DISPLAY] → Channel 5 → Volume + → [TV POWER]**.  
 The first service menu (TV) displays.
3. To display the service menu that contains the category you want to adjust, press **[JUMP]** on the Remote Commander.



2 or 5 on the Remote Commander.

**Note:** Pressing 2 or 5 only changes the categories within the service menu displayed. To change a category on one of the other service menus, press the JUMP button until the correct service menu is displayed.

5. To change the **adjustment item**, press 1 or 4 on the Remote Commander.
6. To change the **data value**, press 3 or 6 on the Remote Commander.
7. To write into memory, press MUTING then 0 on the Remote Commander.
8. To exit service mode, turn the power off.



## 2-3. UPDATING MODEL INFORMATION AFTER REPLACING THE FB1 BOARD

Complete the following steps to reset the model information to the correct size after replacing the FB1 Board.

1. Access the Service Menu by pressing the following buttons on the Remote Commander within a second:

**DISPLAY** → Channel **5** → Volume **+** → **TV POWER**.  
The service menu displays.

2. Press the **JUMP** button until the BEM micro service menu displays.

| BEM   | SERVICE      |
|-------|--------------|
| BOOT: | 0. 026W00AU  |
| MAIN: | 0. 050W00AU  |
| DATA: | 0. 049A00LUW |

3. Press **2** until the 0001 MODEL\_INFO category displays.

| BEM  | SERVICE      |
|------|--------------|
| 0001 | MODEL_INFO   |
| 0001 | PANEL_SIZE 0 |
| DIFF | 1            |

4. Using the **3** or **6** on the remote commander to increase or decrease the value, do one of the following:

|                             |                 |
|-----------------------------|-----------------|
| <b>If model size is 40"</b> | <b>Set to 0</b> |
| <b>If model size is 46"</b> | <b>Set to 1</b> |

5. To write into memory, press **MUTING** then **0** on the Remote Commander.
8. To exit service mode, turn the power off.