

**INTEGRATED CIRCUITS**

**DATABOOK**

## **STK and STR INTEGRATED CIRCUITS**



- Over 1600 Hybrid STK and STR Integrated Circuits
- Connection diagram
- Short description
- Electrical characteristics
- Cases drawings
- Direct replacement suggestion

**2011 EDITION**



ELECTRONICS COMPONENTS

Eugeniu Turuta

Mihai Turuta

# **STK and STR** **Integrated Cicuits** databook

## INTRODUCTION

2. Alpha-numeric index

2. STK integrated circuits

3. STR integrated circuits

Toronto, 2011 edition  
Chisinau, 2011 edition



## INTRODUCTION

Due to the high parameters and reliability, the hybrid integrated circuits of the Sanyo **STK** family and Sanken **STR** family have a large applying in consumer and professional electronics equipments.

The functional set of STK integrated circuits family is very wide: power audio amplifiers, audio preamplifiers and graphic equalizers, switching and linear type voltage regulators, deflection processor, focus and convergente drivers for monitors and projection TV, motor drivers and other.

The Sanken (and Allegro affiliated manufacturer) hybrid integrated circuits of the STR family consists basically from switching and linear type voltage regulators, intended for applying in the TV and video cassette primare (high voltage) and secondare (low voltage) power supply.

In the accesible literature and in the Internet, the information about STK and STR integrated circuits is very dispersed, incompleted and consequently is not so easily accessible.

This book proposes the short but full presentation of the majority of STK and STR integrated circuits that exist on the market; presentation consisting from schematic diagrams (schematic of connections and (or) internal structure), short description and basic electrical characteristics.

The integrated circuits with the identical terminal configurations (and connection) are arranged in the same place. They are not specifically equivalent (replacements) with each other (can have to different electrical characteristics and (or) type of case); for detection of equivalent, in any situation it is necessary to consult a electrical characteristics list.

### Replacements.

Not less than three manufacturers make a lot of integrated circuits which one are the complete pin-to-pin replacements compatible with STK and STR family circuits, but their order (marking) code does not coincide with the respective STK or STR circuits. These manufacturers are ECG Microsemi (a Philips USA subdivision (<http://www.ecgsemi.com>)) that marks it's circuits with **ECG** prefixes; NTE Electronis Inc. (<http://www.nteinc.com>) that marks it's circuits with **NTE** prefixes and TCE (Thomson Consumer Electronics) that marks it's circuits with **SK** prefixes. In the book (appendix 2) we present the list of full equivalences of STK, STR, ECG, NTE and SK integrated circuits.

### Abbreviations used in the characteristics tables and schematics:

<b>μCOM</b> -	Microcomputer	<b>MON</b> -	Monitor
<b>AC</b> -	Alternate Current	<b>NFB</b> -	Negative feedback
<b>Adj</b> -	Adjust, adjustable	<b>OC</b> -	Oscillator Control
<b>B</b> -	Bias	<b>OCP</b> -	Over-Current Protection
<b>BPF</b> -	Bandpass filter	<b>Osc.</b> -	Oscillator
<b>B<sub>w</sub></b> -	Bandwidth (Hz-kHz)	<b>Out</b> -	Output
<b>CLK</b> -	Clock	<b>OVP</b> -	Over-Voltage Protection
<b>CRT</b> -	Cathode Ray Tube	<b>P<sub>out,max</sub></b> -	Maximal output power
<b>CTRL</b> -	Controll	<b>R, G, B</b> -	Red, Green, Blue
<b>Curr.</b> -	Current	<b>RBDS</b> -	Radio Broadcast Data System;
<b>DC</b> -	Direct Current	<b>rDS</b> -	On-State Resistance
<b>Det.</b> -	Detector	<b>RDS</b> -	Radio Data System
<b>DRV</b> -	Driver	<b>Ref.</b> -	Reference (voltage)
<b>D.Y.</b> -	Deflection yoke	<b>Reg.</b> -	Regulator
<b>EMI</b> -	ElectroMagnetic Interference	<b>Rect.</b> -	Rectifier
<b>FDBK</b> -	Feedback	<b>R<sub>nom</sub></b> -	Nominal value of load impedance
<b>Fosc</b> -	Oscillation frequency	<b>R<sub>in</sub></b> -	Input impedance
<b>GND</b> -	Ground	<b>Sinc.</b> -	Sinchronization
<b>Gv</b> -	Voltage gain	<b>SMPS</b> -	Switching mode power suply
<b>HL</b> -	High Level (logic)	<b>Sw</b> -	Switch
<b>Id</b> -	Drain Current	<b>THD</b> -	Total harmonic distorsion
<b>ID</b> -	Identificator;	<b>TSD</b> -	Time Set During
<b>I<sub>cc0</sub></b> -	Quiescent power supply current	<b>V<sub>cc,min</sub></b> -	Minimal supply voltage
<b>I<sub>out,max</sub></b> -	Maximal output current	<b>V<sub>cc,max</sub></b> -	Maximal supply voltage
<b>INH</b> -	Inhibit	<b>V<sub>ds</sub></b> -	Drain-Source Voltage
<b>LL</b> -	Low Level (logic)	<b>UVLO</b> -	Under-voltage lockout



# TURUTA ELECTRONICS WORLD

SEMICONDUCTOR COMPONENTS DATABOOKS, SERVICE MANUALS, DATASHEETS, REPAIR TECHNOLOGIES INFO

Since 2008 TURUTA ELECTRONICS WORLD are the worldwide leading publisher of e-format databooks for semiconductors info like transistors, diodes, thyristors, integrated circuits. Any electronic engineer nowadays is able to work sensibly and rationally with our products as databooks and online database. Anybody missing vital information at the decisive moment is throwing away expensive work time. We will help saving your time, nerves, energy and money. Trust a company being more than 5 years on the market.

## Online SMD and leaded electronic components marking database



A weekly updated online database that includes now more 240.000 marking codes for different SMD and leaded, passive and active electronic components like fuses, diodes, thyristors, transistors and integrated circuits.

### • Features:

- Search by marking code;
- Search by marking code with case class (pin number) selection;
- Exhaustive info about found electronic component;
- Direct link to a electronic component datasheet download;
- Direct link to a manufacturer web page.

You will get access to a online database after create account ([register](#)). After registration you will have trial access that allow you to search 2 marking codes. For full (1 year) access to the online SMD and leaded electronic components marking database you need to [subscribe](#) (become a member).

## Service manual

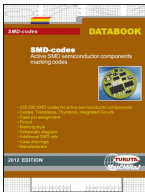


Service manuals for fax, printer, copier, mobile and wireless phone, amplifiers, car stereos, cassette decks, Blu-ray/DVD/CD players/recorders, compact stereos, equalizers, receivers, cameras, reel recorders, tuners, and other audio equipment, camcorders, monitors, TVs (including LCD, plasma PDP, projection TVs), and TV/Blu-ray/DVD/CD/VCR combo units. We have more than 80.000 documents in our growing collection!

Service manual pages navigation and searches available for any TURUTA ELECTRONICS WORLD visitors.

Free service manual download available only for subscribed member of TURUTA ELECTRONICS WORLD.

## Electronic format databooks



TURUTA ELECTRONICS WORLD are the worldwide leading publisher of e-format databooks for semiconductors info like transistors, diodes, thyristors, integrated circuits.

### • SMD-codes datbook, 2012 Edition

A new 2012 edition SMD-codes databook in electronic format from a known author Eugeniu Turuta presents the SMD-codes for active semiconductor components. This book includes now 235.000 SMD-codes for different semiconductors like diodes, thyristors, transistors and ICs.

### • STK and STR integrated circuits, 2011 Edition

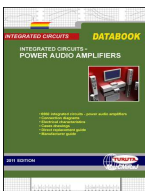
Data book about the common and very popular STK (Sanyo) and STR (Sanken) hybrid integrated circuits. Over 1.600 circuits from STK0025 to STR-Z4579.

Connection diagram, application, short description, table of characteristics with all common parameters, replacements, case outline drawings available for all integrated circuits.

### • Power audio amplifiers - integrated circuits, 2012 Edition

A new, 2012 edition data book in electronic format from a known author Eugeniu Turuta presents the standard and modified circuit diagram, short description, electrical characteristics, pinouts and conventional case drawings of the integrated circuits - power audio amplifiers.

This book includes about 6800 most popular integrated circuits - power (final) audio amplifiers and for today is the most complete databook in the world.



Anyone TURUTA ELECTRONICS WORLD visitor can download sample (demo) version of all databook.

Purchase of TURUTA ELECTRONICS WORLD databooks is very simple and can be made directly from web-page trough PayPal payment system. If you don't have access to the PayPal payment system, write to a [eturuta@gmail.com](mailto:eturuta@gmail.com).

A new editorial policy of TURUTA ELECTRONICS WORLD allow to propose the special (discount) price for the news databooks and subscription for already existing customers (any Turuta Electronics World old edition databook buyers) and subscribed mebers.

ALPHA-NUMERIC INDEX

STK0025 .....	4	STK080 .....	10	STK350-010 .....	22	STK400-310 .....	30
STK0029 .....	4	STK080G .....	12	STK350-020 .....	22	STK400-450 .....	31
STK0030 .....	4	STK082 .....	10	STK350-030 .....	22	STK400-460 .....	31
STK0035 .....	4	STK082-105 .....	10	STK350-040 .....	22	STK400-470 .....	31
STK0039 .....	4	STK082G .....	12	STK350-050 .....	22	STK400-480 .....	31
STK0040 .....	4	STK083 .....	10	STK350-200 .....	23	STK400-490 .....	31
STK0040II .....	5	STK083G .....	12	STK350-210 .....	23	STK400-500 .....	31
STK0045 .....	4	STK084 .....	10	STK350-220 .....	23	STK400-510 .....	31
STK0049 .....	4	STK084G .....	12	STK350-230 .....	23	STK400-520 .....	31
STK0050 .....	4	STK085 .....	10	STK350-240 .....	23	STK400-530 .....	31
STK0050II .....	5	STK085-105 .....	10	STK350-250 .....	23	STK400-650 .....	31
STK0055 .....	4	STK085G .....	12	STK350-530TE .....	24	STK400-660 .....	31
STK0059 .....	4	STK086 .....	10	STK390-120 .....	25	STK400-670 .....	31
STK0060 .....	4	STK086G .....	12	STK390-910 .....	25	STK400-680 .....	31
STK0060II .....	5	STK0100 .....	4	STK391-020 .....	26	STK400-690 .....	31
STK0070 .....	4	STK0100II .....	5	STK391-110 .....	26	STK400-700 .....	31
STK0070II .....	5	STK0105 .....	4	STK391-120 .....	26	STK400-710 .....	31
STK0080 .....	4	STK0177 .....	10	STK391-220 .....	26	STK400-720 .....	31
STK0080II .....	5	STK0292 .....	11	STK392-010 .....	27	STK400-730 .....	31
STK011 .....	6	STK0352 .....	11	STK392-020 .....	27	STK401-010 .....	32
STK013 .....	6	STK0452 .....	11	STK392-040 .....	27	STK401-020 .....	32
STK014 .....	6	STK181B .....	12	STK392-110 .....	28	STK401-030 .....	32
STK015 .....	6	STK181C .....	12	STK392-120 .....	28	STK401-040 .....	32
STK016 .....	6	STK181D .....	12	STK392-150-E .....	28	STK401-050 .....	32
STK018 .....	7	STK181E .....	12	STK392-180 .....	28	STK401-060 .....	32
STK020 .....	7	STK182B .....	12	STK392-210 .....	28	STK401-070 .....	32
STK021 .....	7	STK182C .....	12	STK392-220 .....	28	STK401-080 .....	32
STK022 .....	7	STK182D .....	12	STK392-560 .....	28	STK401-090 .....	32
STK024 .....	7	STK182E .....	12	STK392-570 .....	28	STK401-100 .....	32
STK025 .....	7	STK183B .....	13	STK392-910A .....	29	STK401-110 .....	32
STK027 .....	7	STK183C .....	13	STK393-110 .....	29	STK401-120 .....	32
STK030 .....	8	STK184C .....	13	STK394-210 .....	28	STK401-130 .....	32
STK031 .....	7	STK184D .....	13	STK394-220 .....	28	STK401-140 .....	32
STK032 .....	7	STK185A .....	14	STK394-250 .....	28	STK401-210 .....	32
STK035 .....	7	STK185B .....	14	STK394-510 .....	28	STK401-220 .....	32
STK036 .....	7	STK190-010 .....	14	STK396-010 .....	30	STK401-230 .....	32
STK040 .....	8	STK190-020 .....	14	STK397-010 .....	30	STK401-240 .....	32
STK041 .....	8	STK280-100 .....	15	STK400-010 .....	30	STK401-250 .....	32
STK043 .....	8	STK280-130 .....	15	STK400-020 .....	30	STK401-260 .....	32
STK043-105 .....	8	STK282-100E .....	15	STK400-030 .....	30	STK401-270 .....	32
STK050 .....	9	STK282-140E .....	15	STK400-040 .....	30	STK401-280 .....	32
STK054 .....	9	STK282-170E .....	15	STK400-050 .....	30	STK401-290 .....	32
STK055 .....	10	STK290-100 .....	16	STK400-060 .....	30	STK401-300 .....	33
STK056 .....	9	STK290-130 .....	16	STK400-070 .....	30	STK401-310 .....	33
STK057 .....	10	STK301-020 .....	16	STK400-080 .....	30	STK401-320 .....	33
STK058 .....	10	STK301-020A .....	16	STK400-090 .....	30	STK401-330 .....	33
STK060 .....	10	STK301-020B .....	16	STK400-100 .....	30	STK401-340 .....	33
STK062 .....	10	STK301-060 .....	16	STK400-110 .....	30	STK402-020 .....	33
STK067 .....	11	STK301-060A .....	16	STK400-210 .....	30	STK402-030 .....	33
STK070 .....	9	STK301-060B .....	16	STK400-220 .....	30	STK402-040 .....	33
STK071 .....	11	STK301-090 .....	18	STK400-230 .....	30	STK402-050 .....	33
STK075 .....	10	STK301-220 .....	18	STK400-240 .....	30	STK402-070 .....	33
STK075G .....	12	STK311-010 .....	19	STK400-250 .....	30	STK402-071 .....	33
STK077 .....	10	STK311-020 .....	19	STK400-260 .....	30	STK402-090 .....	33
STK077G .....	12	STK311-050 .....	19	STK400-270 .....	30	STK402-100 .....	33
STK078 .....	10	STK311-110 .....	20	STK400-280 .....	30	STK402-120 .....	33
STK078-105 .....	10	STK311-120 .....	21	STK400-290 .....	30	STK402-220 .....	34
STK078G .....	12	STK350-000 .....	22	STK400-300 .....	30	STK402-230 .....	34

---

ALPHA-NUMERIC INDEX

---

STK402-240 .....	34	STK407-090E .....	41	STK413-220 .....	47	STK433-230A-E .....	54
STK402-250 .....	34	STK407-100E .....	41	STK413-230 .....	47	STK433-240 .....	54
STK402-270 .....	34	STK407-120E .....	41	STK413-290 .....	47	STK433-240A-E .....	54
STK402-480 .....	34	STK407-130E .....	41	STK413-400 .....	47	STK433-260 .....	54
STK402-680 .....	36	STK407-240 .....	42	STK413-420 .....	47	STK433-260A-E .....	54
STK402-920 .....	35	STK407-250 .....	42	STK413-430 .....	47	STK433-270 .....	54
STK402-930 .....	35	STK407-270 .....	42	STK415 .....	46	STK433-270A-E .....	54
STK402-940 .....	35	STK407-290 .....	42	STK415-090E .....	48	STK433-290 .....	54
STK402-950 .....	35	STK408-040E .....	42	STK415-100E .....	48	STK433-290-E .....	54
STK403-030 .....	35	STK408-050E .....	42	STK415-120E .....	48	STK433-300 .....	54
STK403-040 .....	35	STK408-070E .....	42	STK415-130E .....	48	STK433-300-E .....	54
STK403-050 .....	35	STK408-090E .....	42	STK415-140E .....	48	STK433-320 .....	54
STK403-070 .....	36	STK408-230 .....	43	STK416-090E .....	49	STK433-320-E .....	54
STK403-090 .....	37	STK408-230M .....	43	STK416-100E .....	49	STK433-330 .....	54
STK403-100 .....	37	STK408-240 .....	43	STK416-120E .....	49	STK433-330-E .....	54
STK403-120 .....	37	STK410-000 .....	44	STK416-130E .....	49	STK433-730-E .....	53
STK403-130 .....	37	STK410-010 .....	44	STK417-090 .....	43	STK433-760-E .....	53
STK403-240A .....	37	STK410-020 .....	44	STK417-100 .....	43	STK433-930 .....	55
STK403-250A .....	37	STK410-030 .....	44	STK417-120 .....	43	STK433-940 .....	55
STK403-430 .....	38	STK410-090 .....	44	STK417-130 .....	43	STK433-960 .....	55
STK403-440 .....	38	STK411-200E .....	43	STK419-110 .....	48	STK433-970 .....	55
STK403-450 .....	38	STK411-210E .....	43	STK419-130 .....	48	STK433A .....	46
STK404-050 .....	38	STK411-220E .....	43	STK419-140 .....	48	STK435 .....	46
STK404-050S .....	38	STK411-230E .....	43	STK425-050 .....	50	STK435-105 .....	46
STK404-070 .....	38	STK411-240E .....	43	STK425-070 .....	50	STK435A .....	46
STK404-070S .....	38	STK411-290E .....	43	STK425-090 .....	50	STK436 .....	46
STK404-090 .....	39	STK411-550E .....	43	STK426-530 .....	49	STK436-105 .....	46
STK404-090S .....	39	STK412-000 .....	45	STK428-430 .....	52	STK436A .....	46
STK404-100 .....	39	STK412-010 .....	45	STK428-610A .....	50	STK437 .....	46
STK404-100S .....	39	STK412-020 .....	45	STK428-610-E .....	50	STK439 .....	46
STK404-120 .....	39	STK412-030 .....	45	STK428-630 .....	50	STK441 .....	46
STK404-120S .....	39	STK412-040 .....	45	STK428-640 .....	50	STK441-105 .....	46
STK404-130 .....	39	STK412-090 .....	45	STK430 .....	46	STK442-040 .....	55
STK404-130S .....	39	STK412-100 .....	46	STK430II .....	46	STK442-070 .....	55
STK404-140 .....	39	STK412-150 .....	46	STK430III .....	46	STK442-090 .....	55
STK404-140S .....	39	STK412-150C-E .....	46	STK432-050 .....	51	STK442-110 .....	55
STK404-200-E .....	40	STK412-150M .....	46	STK432-070 .....	51	STK442-120 .....	55
STK404-230-E .....	40	STK412-170 .....	46	STK432-090 .....	51	STK442-130 .....	55
STK405 .....	41	STK412-170C-E .....	46	STK432-420 .....	45	STK443 .....	46
STK405-010 .....	40	STK412-200 .....	45	STK433 .....	46	STK443-050 .....	56
STK405-010A .....	40	STK412-210 .....	45	STK433-030 .....	53	STK443-070 .....	56
STK405-030 .....	40	STK412-220 .....	45	STK433-030-E .....	53	STK443-090 .....	56
STK405-030A .....	40	STK412-230 .....	45	STK433-040 .....	53	STK453-030 .....	56
STK405-050 .....	40	STK412-240M .....	45	STK433-040-E .....	53	STK453-030A .....	56
STK405-050A .....	40	STK412-290 .....	45	STK433-060 .....	53	STK453-060 .....	56
STK405-070 .....	40	STK412-410 .....	45	STK433-060-E .....	53	STK457 .....	57
STK405-070A .....	40	STK412-420 .....	45	STK433-070 .....	53	STK459 .....	57
STK405-090 .....	40	STK412-430 .....	45	STK433-070-E .....	53	STK460 .....	57
STK405-090A .....	40	STK412-440 .....	45	STK433-090 .....	53	STK461 .....	57
STK405-100 .....	40	STK412-490 .....	45	STK433-090-E .....	53	STK463 .....	57
STK405-100A .....	40	STK413 .....	46	STK433-100 .....	53	STK465 .....	57
STK405-110 .....	40	STK413-000 .....	47	STK433-100-E .....	53	STK470-010 .....	58
STK405-110A .....	40	STK413-010 .....	47	STK433-105 .....	46	STK470-020 .....	58
STK405-120 .....	40	STK413-020 .....	47	STK433-120 .....	53	STK470-020A .....	58
STK405-120A .....	40	STK413-030 .....	47	STK433-120-E .....	53	STK470-040 .....	58
STK407-040B .....	41	STK413-090 .....	47	STK433-130 .....	53	STK470-050 .....	59
STK407-050E .....	41	STK413-200 .....	47	STK433-130-E .....	53	STK470-050A .....	59
STK407-070E .....	41	STK413-210 .....	47	STK433-230 .....	54	STK470-070 .....	59

ALPHA-NUMERIC INDEX

STK470-080.....	59	STK621-140B-E .....	65	STK711-410 .....	79	STK760-710A-E .....	85
STK470-090.....	59	STK621-150A-E .....	65	STK711-420 .....	79	STK760-712A-E .....	85
STK475-010.....	60	STK621-150B-E .....	65	STK711-430 .....	79	STK761 .....	79
STK488-010.....	60	STK628-120-E .....	66	STK711-440 .....	79	STK762 .....	79
STK488-020.....	60	STK628-130-E .....	66	STK711-450 .....	79	STK770 .....	85
STK488-050.....	60	STK642-060 .....	66	STK711-460 .....	79	STK772B .....	85
STK490-040.....	61	STK655 .....	66	STK711-470 .....	79	STK792-110 .....	86
STK490-070.....	61	STK669 .....	66	STK711-480 .....	79	STK792-210 .....	86
STK490-090.....	61	STK672-010 .....	67	STK711-490 .....	79	STK795 .....	87
STK490-110.....	61	STK672-020 .....	67	STK711-510 .....	79	STK795-010.....	87
STK490-140.....	61	STK672-040 .....	66	STK711-520 .....	79	STK1030 .....	88
STK490-220.....	61	STK672-040-E .....	66	STK711-530 .....	79	STK1035 .....	89
STK490-310.....	61	STK672-050 .....	66	STK711-540 .....	79	STK1039 .....	89
STK490-340.....	61	STK672-070 .....	68	STK711-550 .....	79	STK1040 .....	88
STK496-070.....	41	STK672-080 .....	68	STK711-560 .....	79	STK1040II .....	90
STK496-090.....	41	STK672-110 .....	68	STK711-570 .....	79	STK1045 .....	89
STK496-220.....	43	STK672-120 .....	68	STK711-580 .....	79	STK1049 .....	89
STK496-270.....	44	STK672-210 .....	69	STK711-590 .....	79	STK1050 .....	88
STK496-420Y .....	43	STK672-220 .....	69	STK730-010.....	78	STK1050II .....	90
STK496-430.....	43	STK672-311 .....	70	STK730-020.....	78	STK1055 .....	89
STK496-620Y .....	44	STK672-330 .....	71	STK730-030.....	78	STK1059 .....	89
STK496-630.....	44	STK672-340 .....	71	STK730-040.....	78	STK1060 .....	88
STK499-040.....	61	STK672-350 .....	70	STK730-050.....	78	STK1060II .....	90
STK499-070.....	61	STK672-360-E .....	70	STK730-060.....	78	STK1070 .....	88
STK499-090.....	61	STK672-400 .....	71	STK730-070.....	78	STK1070II .....	90
STK499-120.....	43	STK672-410 .....	71	STK730-080.....	78	STK1080 .....	88
STK499-140.....	43	STK672-430A-E .....	72	STK730-090.....	78	STK1080II .....	90
STK499-220E .....	43	STK672-432A-E .....	72	STK730-120.....	78	STK1100II .....	90
STK499-230E .....	43	STK672-440A-E .....	72	STK730-130.....	78	STK2025 .....	91
STK499-240E .....	43	STK672-442A-E .....	72	STK730-140.....	78	STK2029 .....	91
STK499-290E .....	43	STK672-530 .....	71	STK730-150.....	78	STK2030 .....	91
STK521 .....	62	STK672-540 .....	71	STK730B .....	81	STK2038II .....	92
STK522 .....	62	STK672-580 .....	73	STK730C .....	81	STK2040 .....	91
STK523 .....	62	STK672-590 .....	73	STK730D .....	81	STK2050 .....	91
STK531 .....	62	STK672-600 .....	73	STK731B .....	81	STK2129 .....	91
STK532 .....	62	STK672-610 .....	73	STK731C .....	81	STK2135 .....	91
STK533 .....	62	STK672-630A-E .....	74	STK732B .....	81	STK2139 .....	91
STK541 .....	62	STK672-632A-E .....	74	STK732C .....	81	STK2145 .....	91
STK542 .....	62	STK672-640A-E .....	74	STK733B .....	81	STK2155 .....	91
STK543 .....	62	STK672-642A-E .....	74	STK733C .....	81	STK2230 .....	93
STK561F .....	63	STK672-730A-E .....	75	STK740-411 .....	82	STK2240 .....	93
STK563 .....	63	STK672-732A-E .....	75	STK740-420.....	82	STK2250 .....	93
STK563A .....	63	STK672-740A-E .....	75	STK740-441 .....	82	STK2260 .....	93
STK563F .....	63	STK672-742A-E .....	75	STK740-450.....	82	STK3041 .....	94
STK571F .....	63	STK673-010 .....	75	STK740-470.....	82	STK3042 .....	22
STK583 .....	63	STK673-011 .....	75	STK740-471 .....	82	STK3042II .....	22
STK583F .....	63	STK673-011-E .....	75	STK740-480.....	82	STK3042IIA .....	22
STK583FST .....	63	STK681-050 .....	76	STK740-490.....	82	STK3042III .....	22
STK621-015.....	63	STK681-060 .....	76	STK743B .....	82	STK3044 .....	94
STK621-017.....	63	STK681-070 .....	76	STK750-010.....	83	STK3044II .....	94
STK621-018.....	63	STK681-200 .....	77	STK752 .....	79	STK3056 .....	95
STK621-031.....	64	STK681-200-E .....	77	STK755-030.....	83	STK3061 .....	94
STK621-041.....	64	STK681-210-E .....	77	STK755-110 .....	84	STK3062 .....	22
STK621-041A-E .....	64	STK681-300 .....	77	STK755-170.....	84	STK3062II .....	22
STK621-043A-E .....	64	STK681-310 .....	77	STK756 .....	79	STK3062IIA .....	22
STK621-051.....	64	STK681-320 .....	77	STK760 .....	79	STK3062III .....	22
STK621-061A-E .....	65	STK681-332-E .....	78	STK760-220A-E .....	84	STK3076 .....	95
STK621-061-E .....	65	STK683 .....	78	STK760-221A-E .....	84	STK3081 .....	94

ALPHA-NUMERIC INDEX

STK3082 .....	22	STK4042X .....	98	STK4141V .....	102	STK4182 .....	60
STK3082II .....	22	STK4042XI .....	98	STK4141X .....	103	STK4182II .....	102
STK3082IIA .....	22	STK4044II .....	98	STK4142 .....	60	STK4182V .....	102
STK3082III .....	22	STK4044V .....	98	STK4142II .....	102	STK4184MK2 .....	104
STK3101 .....	94	STK4044X .....	98	STK4142V .....	102	STK4184MK5 .....	104
STK3102II .....	22	STK4044XI .....	98	STK4144MK2 .....	104	STK4185MK2 .....	104
STK3102III .....	22	STK4046II .....	99	STK4144MK5 .....	104	STK4185MK5 .....	104
STK3110M .....	20	STK4046V .....	100	STK4145MK2 .....	104	STK4186X .....	103
STK3120M .....	21	STK4046X .....	100	STK4145MK5 .....	104	STK4189MK2 .....	105
STK3122III .....	22	STK4046XI .....	100	STK4150MK2 .....	101	STK4190MK2 .....	101
STK3152III .....	22	STK4048II .....	99	STK4150MK5 .....	101	STK4190MK5 .....	101
STK3161 .....	96	STK4048V .....	100	STK4151 .....	60	STK4191 .....	60
STK3161B .....	96	STK4048X .....	100	STK4151II .....	102	STK4191II .....	102
STK3400A .....	96	STK4048XI .....	100	STK4151V .....	102	STK4191V .....	102
STK3400B .....	96	STK4050II .....	100	STK4151X .....	103	STK4191X .....	103
STK4017 .....	97	STK4050V .....	100	STK4152 .....	60	STK4192 .....	60
STK4018II .....	98	STK4065 .....	100	STK4152II .....	102	STK4192II .....	102
STK4019 .....	97	STK4067 .....	101	STK4152V .....	102	STK4192V .....	102
STK4020II .....	98	STK4100MK2 .....	101	STK4154MK2 .....	104	STK4194MK2 .....	104
STK4021 .....	97	STK4100MK5 .....	101	STK4154MK5 .....	104	STK4194MK5 .....	104
STK4022II .....	98	STK4101 .....	60	STK4155MK2 .....	104	STK4195MK2 .....	104
STK4023 .....	97	STK4101II .....	102	STK4155MK5 .....	104	STK4195MK5 .....	104
STK4024 .....	98	STK4101V .....	102	STK4159MK2 .....	105	STK4196MK10 .....	103
STK4024II .....	98	STK4102 .....	60	STK4160MK2 .....	101	STK4196X .....	103
STK4024V .....	98	STK4102II .....	102	STK4160MK5 .....	101	STK4199MK2 .....	105
STK4025 .....	97	STK4102V .....	102	STK4161 .....	60	STK4200MK2 .....	101
STK4026 .....	98	STK4110MK2 .....	101	STK4161II .....	102	STK4200MK5 .....	101
STK4026II .....	98	STK4110MK5 .....	101	STK4161V .....	102	STK4201II .....	105
STK4026V .....	98	STK4111 .....	60	STK4161X .....	103	STK4201V .....	106
STK4028 .....	98	STK4111II .....	102	STK4162 .....	60	STK4201X .....	103
STK4028II .....	98	STK4111V .....	102	STK4162II .....	102	STK4204MK2 .....	107
STK4028V .....	98	STK4112 .....	60	STK4162V .....	102	STK4204MK5 .....	107
STK4028X .....	98	STK4112II .....	102	STK4164MK2 .....	104	STK4205MK2 .....	107
STK4029S .....	33	STK4112V .....	102	STK4164MK5 .....	104	STK4205MK5 .....	107
STK4030II .....	98	STK4115G .....	43	STK4165MK2 .....	104	STK4206X .....	103
STK4030V .....	98	STK4120MK2 .....	101	STK4165MK5 .....	104	STK4209MK2 .....	108
STK4030X .....	98	STK4120MK5 .....	101	STK4169MK2 .....	105	STK4210MK2 .....	101
STK4032II .....	98	STK4121 .....	60	STK4170MK2 .....	101	STK4210MK5 .....	101
STK4032V .....	98	STK41217 .....	46	STK4170MK5 .....	101	STK4211II .....	105
STK4032X .....	98	STK4121II .....	102	STK4171 .....	60	STK4211V .....	106
STK4034II .....	98	STK4121J .....	45	STK4171II .....	102	STK4211X .....	103
STK4034V .....	98	STK4121V .....	102	STK4171V .....	102	STK4214MK2 .....	107
STK4034X .....	98	STK4122 .....	60	STK4171X .....	103	STK4214MK5 .....	107
STK4036 .....	98	STK41223 .....	45	STK4172 .....	60	STK4215MK2 .....	107
STK4036II .....	98	STK4122II .....	102	STK4172II .....	102	STK4215MK5 .....	107
STK4036V .....	98	STK4122V .....	102	STK4172V .....	102	STK4216MK10 .....	103
STK4036X .....	98	STK4130MK2 .....	101	STK4174MK2 .....	104	STK4216X .....	103
STK4036XI .....	98	STK4130MK5 .....	101	STK4174MK5 .....	104	STK4219MK2 .....	108
STK4038II .....	98	STK4131 .....	60	STK4175MK2 .....	104	STK4220MK2 .....	101
STK4038V .....	98	STK4131II .....	102	STK4175MK5 .....	104	STK4220MK5 .....	101
STK4038X .....	98	STK4131V .....	102	STK4176X .....	103	STK4221II .....	105
STK4038XI .....	98	STK4132 .....	60	STK4179MK2 .....	105	STK4221V .....	106
STK4040II .....	98	STK4132II .....	102	STK4180MK2 .....	101	STK4224MK2 .....	107
STK4040V .....	98	STK4132V .....	102	STK4180MK5 .....	101	STK4224MK5 .....	107
STK4040X .....	98	STK4140MK2 .....	101	STK4181 .....	60	STK4225MK2 .....	107
STK4040XI .....	98	STK4140MK5 .....	101	STK4181II .....	102	STK4225MK5 .....	107
STK4042II .....	98	STK4141 .....	60	STK4181V .....	102	STK4229MK2 .....	108
STK4042V .....	98	STK4141II .....	102	STK4181X .....	103	STK4230MK2 .....	101



ALPHA-NUMERIC INDEX

STK4230MK5 .....	101	STK5361 .....	116	STK6607 .....	132	STK6980B .....	139
STK4231II .....	105	STK5362 .....	116	STK6621 .....	132	STK6980BII .....	139
STK4231V .....	106	STK5364 .....	116	STK6623 .....	132	STK6980H .....	139
STK4234MK2 .....	107	STK5371 .....	117	STK6625 .....	132	STK6980HII .....	139
STK4234MK5 .....	107	STK5372 .....	117	STK6711AMK3 .....	132	STK6981 .....	139
STK4235MK2 .....	107	STK5372H .....	117	STK6711AMK4 .....	132	STK6981B .....	139
STK4235MK5 .....	107	STK5381 .....	117	STK6711BMK3 .....	132	STK6981BII .....	139
STK4239MK2 .....	108	STK5383 .....	118	STK6711BMK4 .....	132	STK6981H .....	139
STK4241II .....	105	STK5391 .....	118	STK6712AMK3 .....	132	STK6981HII .....	139
STK4241V .....	106	STK5392 .....	118	STK6712AMK4 .....	132	STK6982 .....	139
STK4273 .....	107	STK5421 .....	119	STK6712BMK3 .....	132	STK6982B .....	139
STK4274 .....	108	STK5422 .....	119	STK6712BMK4 .....	132	STK6982BII .....	139
STK4275 .....	109	STK5431 .....	119	STK6713AMK3 .....	132	STK6982H .....	139
STK4277 .....	109	STK5431SL .....	119	STK6713AMK4 .....	132	STK6982HII .....	139
STK4278 .....	110	STK5431ST .....	119	STK6713BMK3 .....	132	STK7216S .....	140
STK4278-L .....	110	STK5434 .....	119	STK6713BMK4 .....	132	STK7217 .....	140
STK4301 .....	110	STK5436 .....	119	STK6714AMK3 .....	132	STK7221 .....	140
STK4311 .....	110	STK5441 .....	120	STK6714AMK4 .....	132	STK7231 .....	141
STK4332 .....	111	STK5443 .....	120	STK6714BMK3 .....	132	STK7241 .....	141
STK4352 .....	111	STK5446 .....	120	STK6714BMK4 .....	132	STK7253 .....	141
STK4362 .....	111	STK5451 .....	120	STK6720H .....	133	STK7302 .....	142
STK4372 .....	111	STK5461 .....	121	STK6721H .....	133	STK7308 .....	142
STK4392 .....	111	STK5461ST .....	121	STK6722H .....	133	STK7309 .....	142
STK4412 .....	111	STK5462 .....	121	STK6772 .....	134	STK7310 .....	142
STK4432 .....	111	STK5464 .....	122	STK6855 .....	134	STK7312 .....	142
STK4773 .....	111	STK5466 .....	122	STK6865H .....	135	STK7344 .....	143
STK4793 .....	111	STK5466ST .....	122	STK6875 .....	135	STK7348 .....	143
STK4803 .....	111	STK5467 .....	123	STK6877 .....	135	STK7356 .....	143
STK4813 .....	111	STK5468 .....	123	STK6932 .....	136	STK7358 .....	143
STK4833 .....	111	STK5468S .....	123	STK6940 .....	136	STK7360 .....	143
STK4843 .....	111	STK5471 .....	122	STK6941 .....	136	STK7362 .....	143
STK4853 .....	111	STK5472 .....	123	STK6942 .....	136	STK7402 .....	144
STK4863 .....	111	STK5473 .....	124	STK6950 .....	136	STK7404 .....	144
STK4873 .....	111	STK5474 .....	124	STK6951 .....	136	STK7406 .....	144
STK4893 .....	111	STK5476 .....	122	STK6952 .....	136	STK7408 .....	144
STK4913 .....	111	STK5477 .....	124	STK6960 .....	137	STK7410 .....	144
STK5314 .....	112	STK5479 .....	125	STK6960H .....	137	STK7452 .....	145
STK5321 .....	112	STK5481 .....	125	STK6961 .....	137	STK7458 .....	145
STK5322 .....	112	STK5482 .....	125	STK6961H .....	137	STK7554 .....	145
STK5322HSL .....	112	STK5486 .....	126	STK6962 .....	137	STK7561A .....	146
STK5324 .....	112	STK5490 .....	126	STK6962C .....	137	STK7561F .....	146
STK5325 .....	112	STK5632D .....	127	STK6962CL .....	137	STK7561G .....	146
STK5326 .....	113	STK5633A .....	127	STK6962H .....	137	STK7561J .....	146
STK5327 .....	113	STK6103 .....	127	STK6965 .....	138	STK7561L .....	146
STK5331 .....	113	STK6105 .....	127	STK6965H .....	138	STK7562A .....	146
STK5332 .....	113	STK6153 .....	128	STK6966 .....	138	STK7562F .....	146
STK5333 .....	114	STK6215 .....	128	STK6966H .....	138	STK7562G .....	146
STK5335 .....	114	STK6217 .....	128	STK6967 .....	138	STK7562J .....	146
STK5336 .....	115	STK6325A .....	129	STK6967H .....	138	STK7562L .....	146
STK5337 .....	114	STK6325B .....	129	STK6968 .....	138	STK7563A .....	146
STK5338 .....	114	STK6325C .....	130	STK6970 .....	138	STK7563F .....	146
STK5339B .....	114	STK6327A .....	130	STK6970H .....	138	STK7563G .....	146
STK5340 .....	115	STK6327B .....	130	STK6971 .....	138	STK7563J .....	146
STK5342 .....	113	STK6328A .....	131	STK6971H .....	138	STK7563L .....	146
STK5343 .....	113	STK6351 .....	131	STK6972 .....	138	STK7565A .....	146
STK5346 .....	115	STK6601 .....	132	STK6972C .....	138	STK7565F .....	146
STK5352 .....	116	STK6603 .....	132	STK6972H .....	138	STK7571A .....	147
STK5353 .....	116	STK6605 .....	132	STK6980 .....	139	STK7571B .....	147

ALPHA-NUMERIC INDEX

STK7572A .....	147	STR381 .....	154	STR6708 .....	162	STR80145A .....	173
STK7572B .....	147	STR382 .....	154	STR6709 .....	162	STR81145A .....	173
STK7573A .....	147	STR383 .....	154	STR6754 .....	163	STR81159A .....	173
STK7573B .....	147	STR384 .....	154	STR6756 .....	163	STR82145 .....	173
STK7575A .....	147	STR385 .....	154	STR7001 .....	164	STR83145 .....	173
STK7575B .....	147	STR440 .....	154	STR7002 .....	164	STR83146 .....	173
STK8020 .....	147	STR441 .....	154	STR7003 .....	164	STR83159 .....	173
STK8030 .....	147	STR442 .....	154	STR7101 .....	164	STR84145 .....	173
STK8040 .....	147	STR450 .....	155	STR7102 .....	164	STR84146 .....	173
STK8050 .....	147	STR451 .....	155	STR7103 .....	164	STR90050 .....	175
STK8060 .....	147	STR452 .....	155	STR9005 .....	164	STR90090 .....	175
STK8250 .....	148	STR453 .....	155	STR9012 .....	164	STR90120 .....	175
STK8250II .....	148	STR454 .....	155	STR9015 .....	164	STR90150 .....	175
STK8260 .....	148	STR455 .....	155	STR9024 .....	164	STR-A6051M .....	174
STK8260II .....	148	STR456A .....	156	STR10006 .....	165	STR-A6052M .....	174
STK8270 .....	148	STR470A .....	156	STR11006 .....	165	STR-A6053M .....	174
STK8270II .....	148	STR729 .....	154	STR12006 .....	166	STR-A6059H .....	174
STK8280 .....	148	STR2005 .....	156	STR13006 .....	166	STR-A6061H .....	174
STK8280II .....	148	STR2012 .....	156	STR14006 .....	166	STR-A6062H .....	174
STK40204 .....	33	STR2013 .....	156	STR15006 .....	166	STR-A6069H .....	174
STK41203 .....	45	STR2015 .....	156	STR16006 .....	166	STR-A6079M .....	174
STK41242 .....	45	STR2024 .....	156	STR17006 .....	166	STR-A6131 .....	175
STK41244 .....	45	STR3010 .....	157	STR20005 .....	166	STR-A6131M .....	175
STK43205 .....	51	STR3015 .....	157	STR30110 .....	167	STR-A6132 .....	175
STK45303 .....	56	STR3023 .....	157	STR30112 .....	167	STR-A6151 .....	175
STK48801 .....	60	STR3025 .....	157	STR30113 .....	167	STR-A6151M .....	175
STK65010II .....	149	STR3030 .....	157	STR30115 .....	167	STR-A6153E .....	175
STK65020II .....	149	STR3035 .....	157	STR30120 .....	167	STR-A6159 .....	175
STK65030 .....	149	STR3110 .....	157	STR30123 .....	167	STR-A6159M .....	175
STK65030II .....	149	STR3113 .....	157	STR30125 .....	167	STR-A6169 .....	175
STK65040 .....	149	STR3115 .....	157	STR30130 .....	167	STR-A6251 .....	176
STK65040II .....	149	STR3120 .....	157	STR30134 .....	167	STR-A6251M .....	176
STK65050 .....	149	STR3123 .....	157	STR30135 .....	167	STR-A6252 .....	176
STK65050II .....	149	STR3125 .....	157	STR40090 .....	168	STR-A6252M .....	176
STK65060 .....	149	STR3127 .....	157	STR40115 .....	169	STR-A6259H .....	176
STK65060II .....	149	STR3130 .....	157	STR41090 .....	169	STR-A6259M .....	176
STK66083P .....	150	STR3135 .....	157	STR50020 .....	170	STR-A6269H .....	176
STK73410II .....	143	STR3215 .....	157	STR50041 .....	170	STR-A6269M .....	176
STK73605I .....	150	STR3225 .....	157	STR50103A .....	171	STR-A6331 .....	177
STK73606I .....	150	STR3230 .....	157	STR50115B .....	172	STR-A6351 .....	177
STK73901 .....	151	STR3235 .....	157	STR50155 .....	172	STR-A6359 .....	177
STK73902 .....	151	STR4211 .....	158	STR50203M .....	171	STR-A6372 .....	177
STK73903 .....	151	STR4412 .....	158	STR50330 .....	170	STR-B5051 .....	178
STK73904 .....	151	STR5020 .....	159	STR51041 .....	170	STR-B5052 .....	178
STK73905 .....	151	STR5100 .....	159	STR51203M .....	172	STR-B5053 .....	178
STK73906 .....	151	STR5412 .....	159	STR51402M .....	172	STR-B5054 .....	178
STK73907 .....	151	STR5707 .....	160	STR51404M .....	172	STR-B5055 .....	178
STK73908 .....	151	STR5708 .....	160	STR51424M .....	172	STR-B5056 .....	178
STK73909 .....	151	STR5717 .....	160	STR52100A .....	170	STR-B5057 .....	178
STK78501 .....	152	STR6135T .....	161	STR53041 .....	170	STR-B5058 .....	178
STK78603 .....	152	STR6307 .....	161	STR53043 .....	170	STR-B5059 .....	178
STK79315A .....	152	STR6309 .....	161	STR53103B .....	171	STR-B5451 .....	179
STK79901 .....	153	STR6456 .....	163	STR54041 .....	170	STR-B5452 .....	179
STK79905B .....	153	STR6458 .....	163	STR56041 .....	170	STR-B5453 .....	179
STR212 .....	154	STR6652 .....	163	STR57041 .....	170	STR-B5454 .....	179
STR370 .....	154	STR6654 .....	163	STR58041 .....	170	STR-B5455 .....	179
STR371 .....	154	STR6656 .....	163	STR58330-M .....	173	STR-B5456 .....	179
STR380 .....	154	STR6707 .....	162	STR59041 .....	170	STR-B5457 .....	179

ALPHA-NUMERIC INDEX

STR-B5458 .....	179	STR-F6629B .....	185	STR-S5708 .....	160	STR-X6737M .....	207
STR-B5459 .....	179	STR-F6632 .....	185	STR-S5741 .....	196	STR-X6750B .....	207
STR-D1005T .....	180	STR-F6652 .....	185	STR-S5941 .....	196	STR-X6750F .....	207
STR-D1816 .....	180	STR-F6653 .....	185	STR-S6301 .....	197	STR-X6756 .....	207
STR-D3010 .....	167	STR-F6654 .....	185	STR-S6301A .....	197	STR-X6757 .....	207
STR-D3012 .....	167	STR-F6655 .....	185	STR-S6307 .....	161	STR-X6757N .....	207
STR-D3013 .....	167	STR-F6656 .....	185	STR-S6308 .....	161	STR-X6759 .....	207
STR-D3015 .....	167	STR-F6656L .....	185	STR-S6309 .....	161	STR-X6759B .....	207
STR-D3020 .....	167	STR-F6658B .....	185	STR-S6401 .....	198	STR-X6759F .....	207
STR-D3023 .....	167	STR-F6667B .....	185	STR-S6401F .....	198	STR-X6759N .....	207
STR-D3025 .....	167	STR-F6672 .....	185	STR-S6411 .....	198	STR-X6768N .....	207
STR-D3030 .....	167	STR-F6674 .....	185	STR-S6411F .....	198	STR-X6769 .....	207
STR-D3034 .....	167	STR-F6676 .....	185	STR-S6513 .....	198	STR-X6769B .....	207
STR-D3035 .....	167	STR-F6707 .....	185	STR-S6525 .....	199	STR-Y6453 .....	208
STR-D5095A .....	168	STR-F9656 .....	187	STR-S6545 .....	198	STR-Y6456 .....	208
STR-D6004 .....	181	STR-G5551 .....	188	STR-S6703 .....	162	STR-Y6473 .....	208
STR-D6008 .....	181	STR-G5624 .....	188	STR-S6704 .....	162	STR-Y6476 .....	208
STR-D6009E .....	181	STR-G5653 .....	188	STR-S6707 .....	162	STR-Y6735 .....	209
STR-D6108 .....	181	STR-G5853 .....	189	STR-S6708 .....	162	STR-Y6753 .....	209
STR-D6601 .....	183	STR-G6153T .....	189	STR-S6709 .....	162	STR-Y6754 .....	209
STR-D6602 .....	183	STR-G6351 .....	189	STR-T2224 .....	200	STR-Y6763 .....	209
STR-D6801 .....	182	STR-G6352 .....	189	STR-T2268 .....	200	STR-Y6765 .....	209
STR-D6802 .....	182	STR-G6353 .....	188	STR-T2268H .....	200	STR-Y6766 .....	209
STR-E1555 .....	184	STR-G6551 .....	189	STR-V152 .....	201	STR-Z2151 .....	210
STR-E1565 .....	184	STR-G6622 .....	189	STR-V153 .....	201	STR-Z2152 .....	210
STR-F6138 .....	185	STR-G6623 .....	189	STR-W5753A .....	202	STR-Z2154 .....	211
STR-F6168 .....	185	STR-G6624 .....	189	STR-W5754 .....	202	STR-Z2156 .....	210
STR-F6229 .....	185	STR-G6632 .....	189	STR-W6051S .....	202	STR-Z2156A .....	210
STR-F6238 .....	185	STR-G6651 .....	189	STR-W6052S .....	202	STR-Z2527 .....	212
STR-F6264S .....	185	STR-G6652 .....	189	STR-W6053S .....	202	STR-Z2586 .....	212
STR-F6267S .....	185	STR-G6653 .....	189	STR-W6251 .....	203	STR-Z2587 .....	212
STR-F6268S .....	185	STR-G8654A .....	189	STR-W6251D .....	203	STR-Z2588 .....	212
STR-F6424S .....	185	STR-G8656 .....	189	STR-W6252 .....	203	STR-Z2589 .....	212
STR-F6426S .....	185	STR-G9626 .....	189	STR-W6252D .....	203	STR-Z3201 .....	213
STR-F6428S .....	185	STR-G9628 .....	189	STR-W6253 .....	203	STR-Z4151 .....	213
STR-F6454 .....	185	STR-G9656 .....	189	STR-W6253D .....	203	STR-Z4201 .....	213
STR-F6456 .....	185	STR-H2013 .....	190	STR-W6654 .....	204	STR-Z4202A .....	214
STR-F6467 .....	185	STR-H3435 .....	191	STR-W6723N .....	204	STR-Z4267 .....	215
STR-F6468 .....	185	STR-H7224 .....	192	STR-W6734 .....	204	STR-Z4316 .....	215
STR-F6502 .....	185	STR-L451 .....	193	STR-W6735 .....	204	STR-Z4317 .....	215
STR-F6511 .....	185	STR-L472 .....	193	STR-W6735N .....	204	STR-Z4369 .....	215
STR-F6512 .....	185	STR-L474 .....	193	STR-W6750F .....	204	STR-Z4479 .....	215
STR-F6513 .....	185	STR-L6452 .....	193	STR-W6753 .....	204	STR-Z4567 .....	215
STR-F6514 .....	185	STR-L6472 .....	193	STR-W6754 .....	204	STR-Z4569 .....	215
STR-F6516 .....	185	STR-M6329 .....	194	STR-W6754L .....	204	STR-Z4579 .....	215
STR-F6523 .....	185	STR-M6511 .....	194	STR-W6756 .....	204	C0DAZY00028 ...	174
STR-F6524 .....	185	STR-M6515 .....	194	STR-W6756N .....	204	C5AA00000107 .....	27
STR-F6535 .....	185	STR-M6529 .....	194	STR-W6765 .....	204	C5AA00000196 .....	28
STR-F6537 .....	185	STR-M6547 .....	194	STR-W6765E .....	204	C5BA00000105 .....	59
STR-F6548 .....	185	STR-M6549 .....	194	STR-W6765N .....	204	C5HABZZ00007 ...	185
STR-F6552 .....	185	STR-M6559 .....	194	STR-W6851 .....	206	C5HABZZ00014 ...	185
STR-F6553 .....	185	STR-M6811A .....	194	STR-W6852 .....	206	C5HABZZ00051 ...	167
STR-F6612 .....	185	STR-M6831AF .....	194	STR-W6853 .....	206	C5HABZZ00062 ...	170
STR-F6614 .....	185	STR-S5041S .....	195	STR-W6854 .....	206	C5HABZZ00080 ...	185
STR-F6616 .....	185	STR-S5141G .....	196	STR-W6856 .....	206	C5ZAZ0000083 .....	53
STR-F6624 .....	185	STR-S5703 .....	160	STR-X6468N .....	207	EA33X8351 .....	6
STR-F6626 .....	185	STR-S5706 .....	196	STR-X6729 .....	207	ECG1024 .....	6
STR-F6628 .....	185	STR-S5707 .....	160	STR-X6737 .....	207	ECG1025 .....	7

ALPHA-NUMERIC INDEX

ECG1027 .....	6	ECG1646 .....	154	ECG7074 .....	124	NTE1337 .....	10
ECG1028 .....	9	ECG1719 .....	154	ECG7075 .....	142	NTE1338 .....	22
ECG1090 .....	7	ECG1732 .....	63	ECG7076 .....	144	NTE1339 .....	22
ECG1139 .....	7	ECG1733 .....	119	ECG7125 .....	78	NTE1340 .....	10
ECG1148 .....	7	ECG1734 .....	120	ECG7126 .....	78	NTE1343 .....	46
ECG1212 .....	6	ECG1735 .....	120	GEIC-330 .....	46	NTE1344 .....	46
ECG1218 .....	46	ECG1736 .....	139	GEIC-331 .....	46	NTE1345 .....	57
ECG1219 .....	46	ECG1737 .....	146	HLX1402R .....	6	NTE1347 .....	57
ECG1220 .....	46	ECG1740 .....	157	IRAMS06UP60A .....	63	NTE1356 .....	91
ECG1252 .....	6	ECG1741 .....	157	IRAMS10UP60B .....	65	NTE1358 .....	88
ECG1274 .....	7	ECG1742 .....	157	IRIS-A6131 .....	175	NTE1359 .....	46
ECG1279 .....	4	ECG1743 .....	157	IRIS-A6151 .....	175	NTE1644 .....	156
ECG1280 .....	4	ECG1748 .....	137	IRIS-A6159 .....	175	NTE1645 .....	154
ECG1281 .....	4	ECG1815 .....	98	IRIS-A6331 .....	177	NTE1733 .....	119
ECG1282 .....	4	ECG1816 .....	102	IRIS-A6351 .....	177	NTE1734 .....	120
ECG1315 .....	102	ECG1817 .....	102	IRIS-A6359 .....	177	NTE1735 .....	120
ECG1316 .....	102	ECG1818 .....	102	IRIS-A6372 .....	177	NTE1736 .....	139
ECG1317 .....	102	ECG1819 .....	102	IRIS-F6426S .....	185	NTE1737 .....	146
ECG1318 .....	112	ECG1820 .....	111	IRIS-F6428S .....	185	NTE1740 .....	157
ECG1319 .....	97	ECG1821 .....	122	IRIS-F6454R .....	185	NTE1741 .....	157
ECG1320 .....	4	ECG1822 .....	122	IRIS-F6456S .....	185	NTE1742 .....	157
ECG1321 .....	4	ECG1823 .....	126	IRIS-G5624A .....	188	NTE1743 .....	157
ECG1322 .....	4	ECG1824 .....	136	IRIS-G5653 .....	188	NTE1748 .....	137
ECG1323 .....	6	ECG1825 .....	138	IRIS-G6351S .....	189	NTE1776 .....	167
ECG1324 .....	8	ECG1870 .....	142	IRIS-G6353 .....	188	NTE1777 .....	167
ECG1325 .....	8	ECG1871 .....	102	IRIS-G6623 .....	189	NTE1778 .....	167
ECG1326 .....	10	ECG1872 .....	125	IRIS-G6624 .....	189	NTE1796 .....	170
ECG1327 .....	10	ECG1874 .....	102	IRIS-G6651 .....	189	NTE1815 .....	98
ECG1328 .....	10	ECG1875 .....	93	IRIS-G6653 .....	188	NTE1816 .....	102
ECG1329 .....	46	ECG1876 .....	119	IRIS-W6753 .....	204	NTE1817 .....	102
ECG1330 .....	57	ECG1877 .....	110	IRIS-W6756 .....	204	NTE1818 .....	102
ECG1331 .....	57	ECG1878 .....	22	IRIS-X6757 .....	207	NTE1819 .....	102
ECG1332 .....	7	ECG1879 .....	107	IX1112 .....	102	NTE1820 .....	111
ECG1333 .....	4	ECG1880 .....	113	JCV8007 .....	45	NTE1821 .....	122
ECG1334 .....	5	ECG1881 .....	122	JCV8008 .....	47	NTE1822 .....	122
ECG1335 .....	5	ECG1882 .....	98	NTE1024 .....	6	NTE1823 .....	126
ECG1336 .....	9	ECG1883 .....	117	NTE1027 .....	6	NTE1824 .....	136
ECG1337 .....	10	ECG1884 .....	125	NTE1028 .....	9	NTE1825 .....	138
ECG1338 .....	22	ECG1885 .....	133	NTE1139 .....	7	NTE1839 .....	167
ECG1339 .....	22	ECG1886 .....	159	NTE1218 .....	46	NTE1840 .....	170
ECG1340 .....	10	ECG7021 .....	144	NTE1219 .....	46	NTE1841 .....	170
ECG1341 .....	10	ECG7022 .....	122	NTE1274 .....	7	NTE1867 .....	156
ECG1342 .....	4	ECG7023 .....	122	NTE1281 .....	4	NTE1868 .....	156
ECG1343 .....	46	ECG7024 .....	115	NTE1282 .....	4	NTE1870 .....	142
ECG1344 .....	46	ECG7025 .....	143	NTE1315 .....	102	NTE1871 .....	102
ECG1345 .....	57	ECG7026 .....	116	NTE1316 .....	102	NTE1872 .....	125
ECG1346 .....	4	ECG7027 .....	121	NTE1317 .....	102	NTE1874 .....	102
ECG1347 .....	57	ECG7028 .....	123	NTE1318 .....	112	NTE1876 .....	119
ECG1356 .....	91	ECG7029 .....	105	NTE1320 .....	4	NTE1877 .....	110
ECG1357 .....	88	ECG7030 .....	98	NTE1323 .....	6	NTE1878 .....	22
ECG1358 .....	88	ECG7031 .....	98	NTE1326 .....	10	NTE1879 .....	107
ECG1359 .....	46	ECG7032 .....	100	NTE1327 .....	10	NTE1880 .....	113
ECG1360 .....	88	ECG7033 .....	143	NTE1328 .....	10	NTE1881 .....	122
ECG1546 .....	154	ECG7034 .....	124	NTE1329 .....	46	NTE1882 .....	98
ECG1548 .....	154	ECG7035 .....	113	NTE1330 .....	57	NTE1883 .....	117
ECG1553 .....	154	ECG7036 .....	114	NTE1331 .....	57	NTE1884 .....	125
ECG1644 .....	156	ECG7037 .....	116	NTE1333 .....	4	NTE1885 .....	133
ECG1645 .....	154	ECG7038 .....	126	NTE1336 .....	9	NTE1894 .....	170

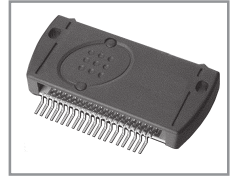
---

ALPHA-NUMERIC INDEX

---

NTE1895 .....	170	NTE7126 .....	78	PAC10A .....	43	SK9891 .....	98
NTE1896 .....	167	NTE7140 .....	110	PAC11A .....	44	SK9892 .....	102
NTE1897 .....	167	NTE7152 .....	171	RH-IX1089A .....	10	SK9893 .....	102
NTE7021 .....	144	NTE7166 .....	185	RH-IX1112 .....	102	SK9897 .....	102
NTE7022 .....	122	NTE7178 .....	28	SK3152 .....	6	SK9898 .....	138
NTE7023 .....	122	NTE7179 .....	27	SK3154 .....	6	SK9902 .....	122
NTE7024 .....	115	NTE7180 .....	27	SK3155 .....	7	SK9987 .....	88
NTE7025 .....	143	NTE7181 .....	27	SK3435 .....	9	SK9994 .....	157
NTE7026 .....	116	NTE7187 .....	108	SK3436 .....	9	SK9995 .....	157
NTE7027 .....	121	NTE7211 .....	33	SK3740 .....	46	SK9996 .....	157
NTE7028 .....	123	NTE7212 .....	33	SK3741 .....	46	SK9997 .....	22
NTE7029 .....	105	NTE7220 .....	45	SK3972 .....	46	SK9998 .....	57
NTE7030 .....	98	NTE7224 .....	204	SK4815 .....	97	SK10007 .....	4
NTE7031 .....	98	NTE15012 .....	157	SK7646 .....	154	SK10029 .....	139
NTE7032 .....	100	NTE15018 .....	157	SK7647 .....	154	SK10030 .....	146
NTE7033 .....	143	NTE15019 .....	157	SK7659 .....	10	SK10086 .....	159
NTE7034 .....	124	NTE15020 .....	157	SK7660 .....	10	SK10140 .....	102
NTE7035 .....	113	NTE15021 .....	157	SK7661 .....	4	SK10141 .....	102
NTE7036 .....	114	NTE15031 .....	107	SK7662 .....	5	SK10161 .....	142
NTE7037 .....	116	NTE15034 .....	105	SK7703 .....	63	SK10164 .....	125
NTE7038 .....	126	PA301 .....	7	SK7720 .....	154	SK10166 .....	93
NTE7046 .....	197	PA400 .....	7	SK7809 .....	119	SK10168 .....	110
NTE7073 .....	197	PA401 .....	7	SK7811 .....	120	SK10169 .....	107
NTE7074 .....	124	PA500 .....	7	SK7817 .....	157	SK10170 .....	113
NTE7075 .....	142	PA500X .....	7	SK8988 .....	136	SK10171 .....	122
NTE7076 .....	144	PA501 .....	7	SK9189 .....	57	SK10172 .....	98
NTE7077 .....	167	PA501X .....	7	SK9406 .....	57	SK10173 .....	117
NTE7078 .....	170	PAC007A .....	106	SK9757 .....	22	SK10174 .....	125
NTE7079 .....	170	PAC008A .....	98	SK9760 .....	63	SK10175 .....	133
NTE7092 .....	165	PAC009A .....	105	SK9761 .....	63	SK10490 .....	156
NTE7093 .....	166	PAC010A .....	43	SK9762 .....	137	SK10491 .....	154
NTE7094 .....	166	PAC011A .....	44	SK9849 .....	22	SK10492 .....	154
NTE7095 .....	166	PAC012A .....	43	SK9889 .....	111		
NTE7125 .....	78	PAC013A .....	44	SK9890 .....	102		

**SECTION 1**  
**STK Integrated Circuits**



## Power audio amplifier output stage

STK0025	STK0050	ECG1279	ECG1342
STK0029	STK0055	ECG1280	ECG1346
STK0030	STK0059	ECG1281	NTE1281
STK0035	STK0060	ECG1282	NTE1282
STK0039	STK0070	ECG1320	NTE1320
STK0040	STK0080	ECG1321	NTE1333
STK0045	STK0100	ECG1322	SK7661
STK0049	STK0105	ECG1333	SK10007

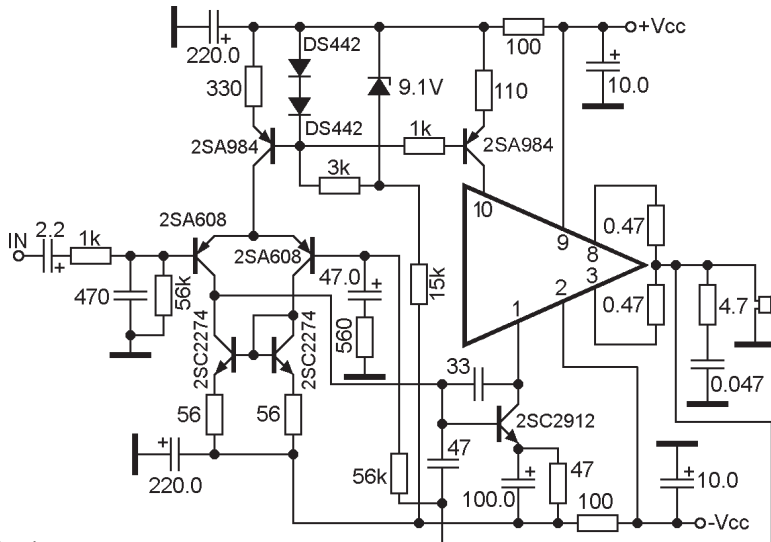
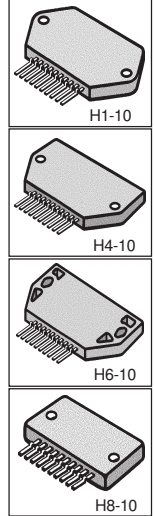


Fig.1



### Applications:

- Hi-Fi home audio stereo systems

### Features:

- Pin-to-pin compatible types in various cases with variable electrical characteristics
- Dual (bipolar, symmetrical) power supply
- Full complementary Darlington transistors paralleled output
- 20-100W output power
- Typ. 0.1% THD
- Designed to drive 8Ω loads

Fig.1 shows a application with discrete input stage

Type	Case	U <sub>ccmin</sub>	U <sub>ccmax</sub>	I <sub>cc0</sub>	I <sub>outmax</sub>	P <sub>outmax</sub>	R <sub>lnom</sub>	B <sub>w</sub>	THD	G <sub>v</sub>	M <sub>nf</sub>
STK0025	H4-10	±23V	±35V	40mA	3A	23W	8Ω	20Hz-20kHz	0.1%	40dB	San
STK0029	H4-10	±24V	±37V	40mA	3.5A	25W	8Ω	20Hz-20kHz	0.1%	40dB	San
STK0030	H4-10	±26V	±40V	40mA	4A	30W	8Ω	20Hz-20kHz	0.1%	40dB	San
STK0035	H6-10	±26V	±40V	40mA	4A	30W	8Ω	20Hz-20kHz	0.1%	40dB	San
STK0039	H6-10	±28V	±45V	40mA	5A	35W	8Ω	20Hz-20kHz	0.1%	40dB	San
STK0040	H4-10	±31V	±48V	40mA	5A	40W	8Ω	20Hz-20kHz	0.1%	40dB	San
STK0045	H4-10	±31V	±48V	40mA	5A	40W	8Ω	20Hz-20kHz	0.1%	40dB	San
STK0049	H6-10	±32V	±50V	40mA	5A	45W	8Ω	20Hz-20kHz	0.1%	40dB	San
STK0050	H6-10	±33V	±53V	40mA	5A	50W	8Ω	20Hz-20kHz	0.1%	40dB	San
STK0055	H6-10	±33V	±53V	40mA	7A	50W	8Ω	20Hz-20kHz	0.1%	40dB	San
STK0059	H6-10	±35V	±53V	40mA	7A	55W	8Ω	20Hz-20kHz	0.1%	40dB	San
STK0060	H8-10	±36V	±55V	40mA	7A	60W	8Ω	20Hz-20kHz	0.1%	40dB	San
STK0070	H8-10	±38V	±55V	40mA	7A	70W	8Ω	20Hz-20kHz	0.1%	40dB	San
STK0080	H8-10	±42V	±65V	40mA	10A	80W	8Ω	20Hz-20kHz	0.1%	40dB	San
STK0100	H8-10	±45V	±75V	40mA	10A	100W	8Ω	20Hz-20kHz	0.1%	40dB	San
STK0105	H1-10	±45V	±75V	40mA	10A	100W	8Ω	20Hz-20kHz	0.1%	40dB	San
ECG1279	H6-10	±33V	±48V	40mA	5A	50W	8Ω	20Hz-20kHz	0.1%	40dB	Ecg
ECG1280	H6-10	±31V	±45V	40mA	5A	35W	8Ω	20Hz-20kHz	0.1%	40dB	Ecg
ECG1281	H6-10	±33V	±48V	40mA	5A	50W	8Ω	20Hz-20kHz	0.1%	40dB	Ecg
ECG1282	H6-10	±31V	±45V	40mA	5A	35W	8Ω	20Hz-20kHz	0.1%	40dB	Ecg

- Dual (bipolar, symmetrical) power supply
  - Built-in stand-by function (active: LOW)
- Fig.75 shows a typical application

Type	Case	U <sub>ccHmn</sub>	U <sub>ccHmx</sub>	U <sub>ccLmn</sub>	U <sub>ccLmx</sub>	I <sub>cc0</sub>	P <sub>outmax</sub>	R <sub>inom</sub>	B <sub>w</sub>	R <sub>in</sub>	THD	G <sub>v</sub>	Mnf
STK419-110	H3-20	±25V	±37V	±36V	±53V	60mA	2x50W	6Ω	20Hz-50kHz	55kΩ	0.2%	32dB	San
STK419-130	H3-20	±27V	±37V	±37V	±57V	60mA	2x60W	6Ω	20Hz-50kHz	55kΩ	0.2%	32dB	San
STK419-140	H3-20	±30V	±42V	±42V	±65V	60mA	2x80W	6Ω	20Hz-50kHz	55kΩ	0.2%	32dB	San

### 3-channel power audio amplifier with stand-by

STK416-090E  
STK416-100E  
STK416-120E  
STK416-130E

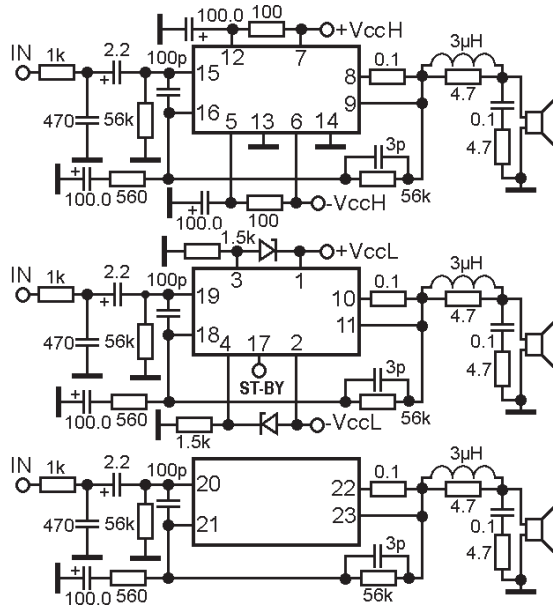


Fig.76

#### Applications:

- Hi-Fi home stereo audio systems

#### Features:

- Pin-to-pin and case compatible types with various electrical characteristics
- Dual (bipolar, symmetrical) power supply
- Built-in stand-by function (active: LOW)

Fig.76 shows a typical application

Type	Case	U <sub>ccHmn</sub>	U <sub>ccHmx</sub>	U <sub>ccLmn</sub>	U <sub>ccLmx</sub>	I <sub>cc0</sub>	P <sub>outmax</sub>	R <sub>inom</sub>	B <sub>w</sub>	R <sub>in</sub>	THD	G <sub>v</sub>	Mnf
STK416-090E	H7-23	±25V	±36V	±36V	±53V	60mA	3x50W	8Ω	20Hz-50kHz	55kΩ	0.8%	30dB	San
STK416-100E	H7-23	±27V	±37V	±37V	±57V	60mA	3x60W	8V	20Hz-50kHz	55kΩ	0.8%	30dB	San
STK416-120E	H7-23	±30V	±42V	±42V	±65V	60mA	3x80W	8Ω	20Hz-50kHz	55kΩ	0.8%	30dB	San
STK416-130E	H7-23	±32V	±43V	±43V	±75V	60mA	3x100W	8Ω	20Hz-50kHz	55kΩ	0.8%	30dB	San

### Dual power audio amplifier with thermal detector

STK426-530

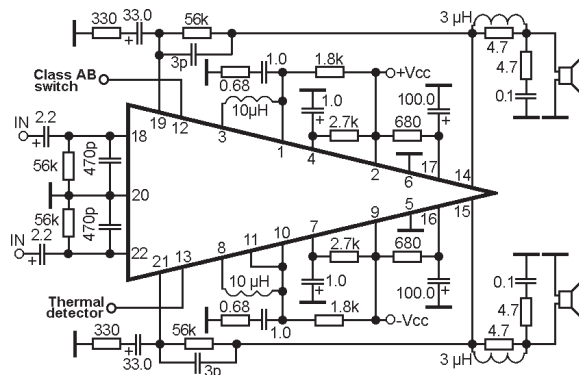


Fig.77

#### Applications:

- Hi-Fi home stereo systems

#### Features:

- Class-AB/H power audio amplifier



The **STK79315A** is a vertical deflection signal processor and output amplifier

*Applications:*

- Large screen ultra-high definition CRT displays

*Features:*

- Vertical deflection basic function (vertical oscillator, sawtooth waveform generator, output amplifier) built-in
- Vertical centering correction circuit built-in, variable over a wide range. DC controllable
- Pump-up circuit built-in for low power dissipation;
- High-current, high-withstand voltage output amplifier
- Wide vertical pull-in range, adjustment-free oscillator
- DC controllable vertical amplitude
- Quiescent current adjustment for zero crossover distortion in the output amplifier
- Wide supply range for all loads

Fig.267 shows a typical application

Type	Case	B <sub>Vout</sub>	+B <sub>V</sub>	I <sub>pmax</sub>	I <sub>cc0</sub>	FV <sub>p</sub>	FV <sub>osc</sub>	Mnf
<b>STK79315A</b>	H4-18	80V	14V	±2A	20mA	60Hz	120Hz	San

### Deflection signal processor, vertical and horizontal power amplifier for CRT display

STK79901  
STK79905B

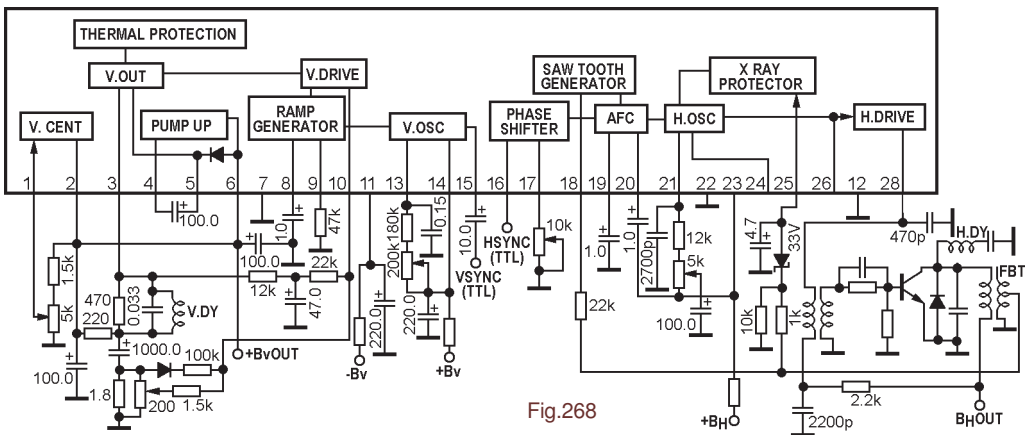
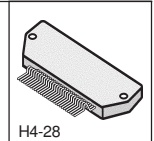


Fig.268

The **STK79901** and **STK79905B** are deflection signal processor with vertical and horizontal power amplifier

*Applications:*

- Large screen ultra-high definition CRT displays

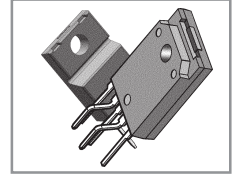
*Features:*

- Pin-to-pin and case compatible types with variable electrical characteristics
- Vertical and horizontal deflection basic function built-in
- Pump-up circuit built-in for low power dissipation
- High-current, high-withstand voltage output amplifier
- Wide supply range for all loads

Fig.268 shows a typical application

Type	Case	B <sub>Vout</sub>	+B <sub>V</sub>	+B <sub>H</sub>	I <sub>pmax</sub>	I <sub>cc28</sub>	FV <sub>p</sub>	FH <sub>osc</sub>	Mnf
<b>STK79901</b>	H4-28	30V	14V	14V	±1.3A	200mA	60Hz	15750Hz	San
<b>STK79905B</b>	H4-28	30V	14V	14V	±1.5A	200mA	60Hz	15750Hz	San

**SECTION 2**  
**STR Integrated Circuits**





- overload protection, auto restart
  - thermal shutdown, with latch
  - Low-EMI noise operation, through PRC (fixed off-time, variable on-time)
- Fig.303 shows a typical application

Type	Case	V <sub>inmin</sub>	V <sub>inmax</sub>	V <sub>dss</sub>	R <sub>ds</sub>	P <sub>d</sub>	F <sub>osc</sub>	Mnf
<b>STR-A6051M</b>	DIP-8	85V	264V	650V	3.95Ω	12W	67kHz	Sak
<b>STR-A6052M</b>	DIP-8	85V	264V	650V	2.8Ω	16W	67kHz	Sak
<b>STR-A6053M</b>	DIP-8	85V	264V	650V	1.9Ω	20W	67kHz	Sak
<b>STR-A6059H</b>	DIP-8	85V	264V	650V	6.0Ω	8W	100kHz	Sak
<b>STR-A6061H</b>	DIP-8	85V	264V	700V	3.95Ω	10W	100kHz	Sak
<b>STR-A6062H</b>	DIP-8	85V	264V	700V	2.8Ω	13W	100kHz	Sak
<b>STR-A6069M</b>	DIP-8	85V	264V	700V	6.0Ω	8W	100kHz	Sak
<b>STR-A6079M</b>	DIP-8	85V	264V	800V	19.2Ω	5W	67kHz	Sak
<b>C0DAZYY00028</b>	DIP-8	85V	264V	650V	6.0Ω	8W	100kHz	Pan

### Fine regulated low dropout linear voltage regulator

STR90050  
STR90090  
STR90120  
STR90150

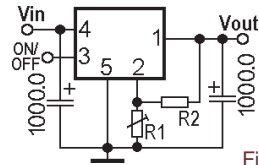
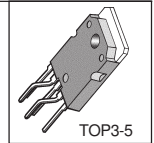


Fig.304



The **STR9000** series ICs are adjustable output linear type voltage regulators

#### Applications:

- Stabilization of the secondary stage of switching power supplies
- Electronic equipment

#### Features:

- Pin-to-pin and case compatible types with variable electrical characteristics
- High output current (2.0A)
- Low dropout voltage (V<sub>d</sub><1V at I<sub>out</sub>=4A)
- Output voltage adjustment
- Output ON/OFF control
- Built-in drooping type overcurrent protection circuit
- Built-in foldback overcurrent protection circuits

Fig.304 shows a typical application

Type	Case	V <sub>inmin</sub>	V <sub>inmax</sub>	V <sub>outnom</sub>	I <sub>outmx</sub>	I <sub>outn</sub>	P <sub>d</sub>	Mnf
<b>STR90050</b>	TOP3-5	6V	25V	5V	4A	2A	50W	Sak
<b>STR90090</b>	TOP3-5	12V	25V	9V	4A	2A	50W	Sak
<b>STR90120</b>	TOP3-5	15V	25V	12V	4A	2A	50W	Sak
<b>STR90150</b>	TOP3-5	25V	45V	15V	4A	2A	50W	Sak

### Off-line SMPS primary switcher

STR-A6131  
STR-A6131M  
STR-A6132  
STR-A6151  
STR-A6151M  
STR-A6153E  
STR-A6159  
STR-A6159M  
STR-A6169  
IRIS-A6131  
IRIS-A6151  
IRIS-A6159

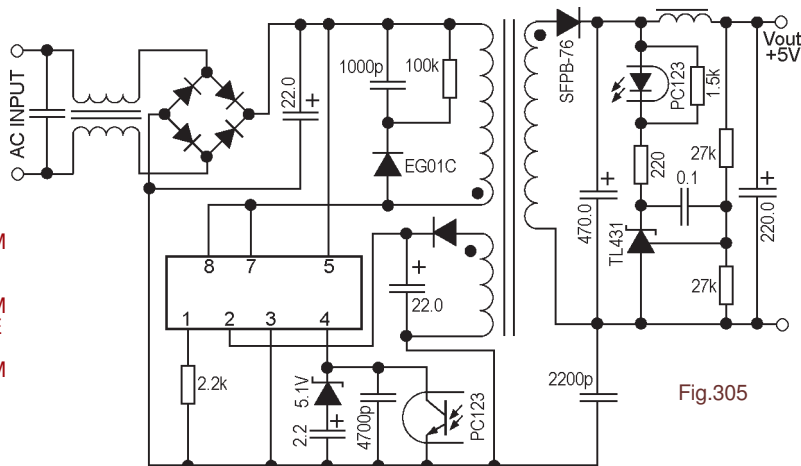
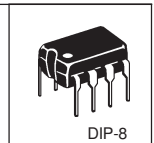


Fig.305



**Applications:**

- TV

**Features:**

- Soft start
- Constant off time
- PWM frequencies between 70...80kHz
- Two avalanche-rated power MOSFET
- Under-voltage lockout with hysteresis
- Integrated protection types are:
  - Pulse-by-pulse current limiting
  - Under voltage lockout with hysterezis
  - Latched over-voltage and and thermal shutdown protection
  - Latched external fault signal

Fig.351 shows a typical application

Type	Case	V <sub>in(AC)</sub>	V <sub>dss</sub>	R <sub>ds(on)mx</sub>	I <sub>dmax</sub>	P <sub>d</sub>	F <sub>osc</sub>	Mnf
<b>STR-Z4202A</b>	SLA-15	85..264V	600V	0.23Ω	2A	120W	200kHz	Sak

**Off-line current resonant switching type voltage regulator for TV SMPS**



- STR-Z4267
- STR-Z4316
- STR-Z4317
- STR-Z4369
- STR-Z4479
- STR-Z4567
- STR-Z4569
- STR-Z4579

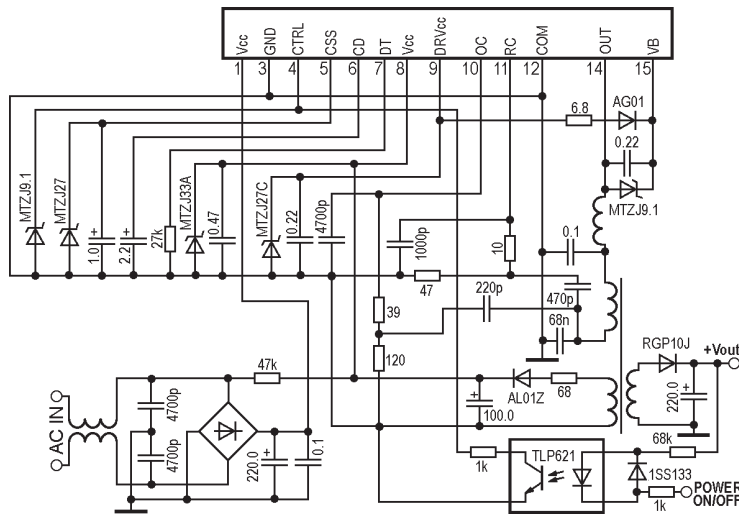


Fig.352

The listed integrated circuits are off-line current-resonant PWM converters operating in a variable frequency mode. The devices incorporates the primary control and drive circuit with two discrete avalanche-rated high-voltage power MOSFET.

**Applications:**

- LCD and PDP (Plasma Display panel) TV

**Features:**

- Pin-to-pin and case compatible types with variabe electrical characteristics
- Soft start
- Constant off time
- PWM frequencies between 120...200kHz
- Two avalanche-rated power MOSFET
- Under-voltage lockout with hysteresis
- Integrated protection types are:
  - Pulse-by-pulse current limiting
  - Under voltage lockout with hysterezis
  - Latched over-voltage and and thermal shutdown protection
  - Latched external fault signal

Fig.352 shows a typical application

Type	Case	V <sub>in(AC)</sub>	V <sub>dss</sub>	R <sub>ds(on)mx</sub>	I <sub>dmax</sub>	P <sub>d</sub>	F <sub>osc</sub>	Mnf
<b>STR-Z4267</b>	HSOP-15	85..264V	500V	0.14Ω	2A	100W	120kHz	Sak
<b>STR-Z4316</b>	HSOP-15	85..264V	600V	0.23Ω	2A	100W	140kHz	Sak
<b>STR-Z4317</b>	HSOP-15	85..264V	600V	0.25Ω	2A	100W	140kHz	Sak
<b>STR-Z4369</b>	HSOP-15	85..264V	600V	0.27Ω	2A	100W	140kHz	Sak
<b>STR-Z4479</b>	HSOP-15	85..264V	650V	0.21Ω	2.2A	120W	160kHz	Sak
<b>STR-Z4567</b>	HSOP-15	85..264V	800V	0.23Ω	2.2A	120W	160kHz	Sak
<b>STR-Z4569</b>	HSOP-15	85..264V	800V	0.18Ω	2.5A	120W	200kHz	Sak
<b>STR-Z4579</b>	HSOP-15	85..264V	800V	0.17Ω	2.5A	140W	200kHz	Sak



# TURUTA ELECTRONICS WORLD

SEMICONDUCTOR COMPONENTS DATABOOKS, SERVICE MANUALS, DATASHEETS, REPAIR TECHNOLOGIES INFO

Since 2008 TURUTA ELECTRONICS WORLD are the worldwide leading publisher of e-format databooks for semiconductors info like transistors, diodes, thyristors, integrated circuits. Any electronic engineer nowadays is able to work sensibly and rationally with our products as databooks and online database. Anybody missing vital information at the decisive moment is throwing away expensive work time. We will help saving your time, nerves, energy and money. Trust a company being more than 5 years on the market.

## Online SMD and leaded electronic components marking database



A weekly updated online database that includes now more 240.000 marking codes for different SMD and leaded, passive and active electronic components like fuses, diodes, thyristors, transistors and integrated circuits.

### • Features:

- Search by marking code;
- Search by marking code with case class (pin number) selection;
- Exhaustive info about found electronic component;
- Direct link to a electronic component datasheet download;
- Direct link to a manufacturer web page.

You will get access to a online database after create account ([registrer](#)). After registration you will have trial access that allow you to search 2 marking codes. For full (1 year) access to the online SMD and leaded electronic components marking database you need to [subscribe](#) (become a member).

## Service manual

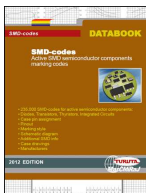


Service manuals for fax, printer, copier, mobile and wireless phone, amplifiers, car stereos, cassette decks, Blu-ray/DVD/CD players/recorders, compact stereos, equalizers, receivers, cameras, reel recorders, tuners, and other audio equipment, camcorders, monitors, TVs (including LCD, plasma PDP, projection TVs), and TV/Blu-ray/DVD/CD/VCR combo units. We have more than 80.000 documents in our growing collection!

Service manual pages navigation and searches available for any TURUTA ELECTRONICS WORLD visitors.

Free service manual download available only for subscribed member of TURUTA ELECTRONICS WORLD.

## Electronic format databooks



TURUTA ELECTRONICS WORLD are the worldwide leading publisher of e-format databooks for semiconductors info like transistors, diodes, thyristors, integrated circuits.

### • SMD-codes datbook, 2012 Edition

A new 2012 edition SMD-codes databook in electronic format from a known author Eugeniu Turuta presents the SMD-codes for active semiconductor components. This book includes now 235.000 SMD-codes for different semiconductors like diodes, thyristors, transistors and ICs.

### • STK and STR integrated circuits, 2011 Edition

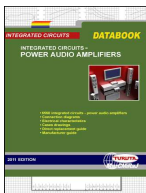
Data book about the common and very popular STK (Sanyo) and STR (Sanken) hybrid integrated circuits. Over 1.600 circuits from STK0025 to STR-Z4579.

Connection diagram, application, short description, table of characteristics with all common parameters, replacements, case outline drawings available for all integrated circuits.

### • Power audio amplifiers - integrated circuits, 2012 Edition

A new, 2012 edition data book in electronic format from a known author Eugeniu Turuta presents the standard and modified circuit diagram, short description, electrical characteristics, pinouts and conventional case drawings of the integrated circuits - power audio amplifiers.

This book includes about 6800 most popular integrated circuits - power (final) audio amplifiers and for today is the most complete databook in the world.



Anyone TURUTA ELECTRONICS WORLD visitor can download sample (demo) version of all databook.

Purchase of TURUTA ELECTRONICS WORLD databooks is very simple and can be made directly from web-page trough PayPal payment system. If you don't have access to the PayPal payment system, write to a [eturuta@gmail.com](mailto:eturuta@gmail.com).

A new editorial policy of TURUTA ELECTRONICS WORLD allow to propose the special (discount) price for the news databooks and subscription for already existing customers (any Turuta Electronics World old edition databook buyers) and subscribed mebers.



© 2011 Copyright Eugeniu Turuta

© 2011 Copyright Mihai Turuta

Toronto, 2011 edition

Chisinau, 2011 edition